

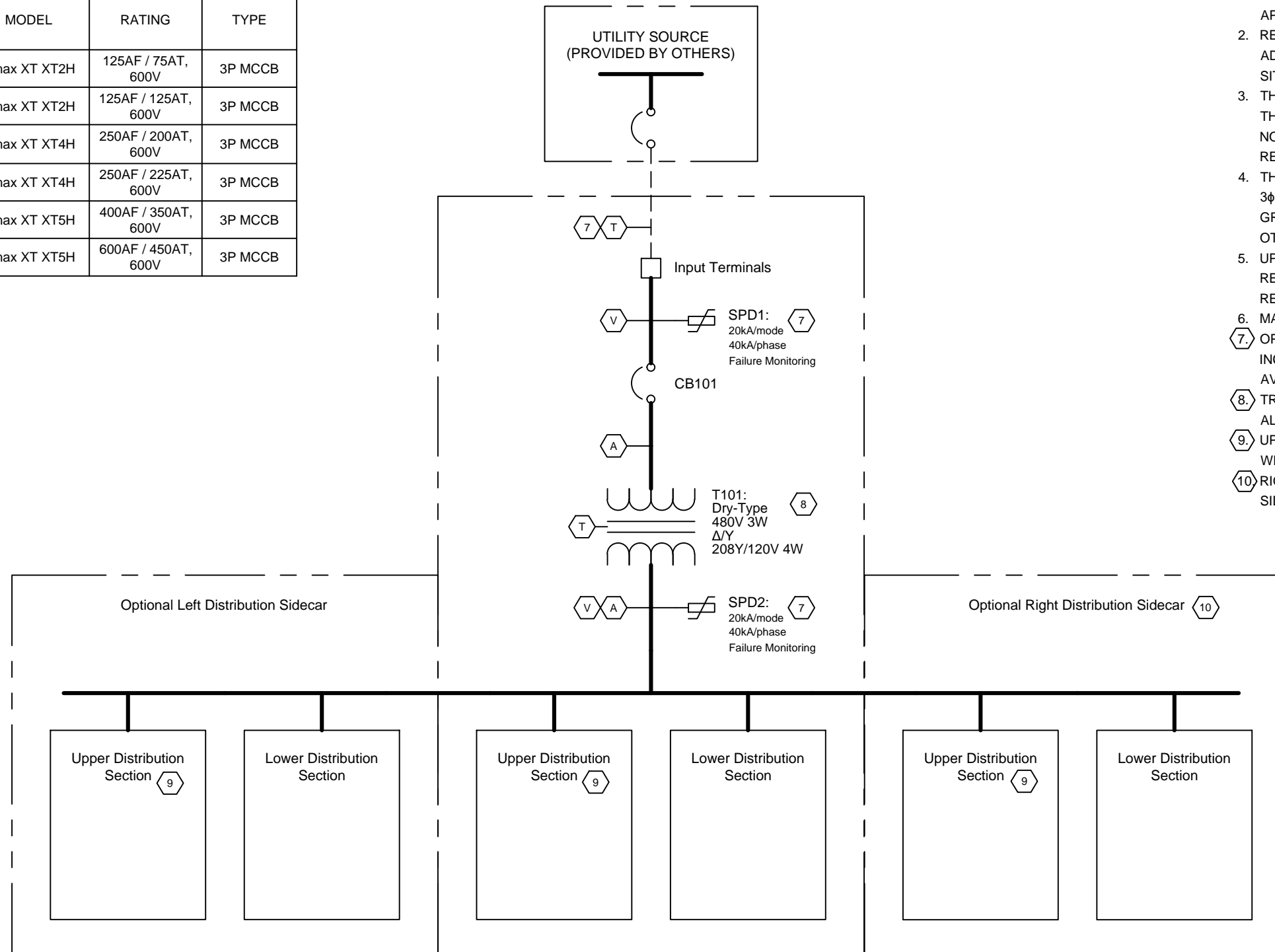
We reserve all rights in this document and in the information contained therein. Reproduction, use or disclosure to third parties without express authority is strictly forbidden. © Copyright 2020 ABB.

TABLE 1.1: OCPD RECOMMENDATIONS

PDU RATING (kVA)	MAXIMUM AVAILABLE FAULT CURRENT (RMS SYMMETRICAL)	MAKE	MODEL	RATING	TYPE
50	65kA @ 480VAC	ABB	Tmax XT XT2H	125AF / 75AT, 600V	3P MCCB
75	65kA @ 480VAC	ABB	Tmax XT XT2H	125AF / 125AT, 600V	3P MCCB
125	65kA @ 480VAC	ABB	Tmax XT XT4H	250AF / 200AT, 600V	3P MCCB
150	65kA @ 480VAC	ABB	Tmax XT XT4H	250AF / 225AT, 600V	3P MCCB
225	65kA @ 480VAC	ABB	Tmax XT XT5H	400AF / 350AT, 600V	3P MCCB
300	65kA @ 480VAC	ABB	Tmax XT XT5H	600AF / 450AT, 600V	3P MCCB

NOTES:

1. INSTALLATION SHALL COMPLY WITH ALL APPLICABLE NATIONAL, STATE, AND LOCAL CODES.
2. REFER TO PRODUCT DOCUMENTATION FOR ADDITIONAL DETAILS PRIOR TO INSTALLATION AND SITE PREPARATION WORK.
3. THE ONELINE DIAGRAM PROVIDES AN OVERVIEW OF THE POWER STAGE OF THE TYPICAL PDU AND IS NOT REPRESENTATIVE OF ITS PHYSICAL LAYOUT. REFER TO THE OUTLINE DIAGRAM FOR DETAILS.
4. THE PDU IS DESIGNED FOR CONNECTION TO 480VAC 3 ϕ SOLIDLY GROUNDING OR HIGH RESISTANCE GROUNDING SOURCES ONLY. CONTACT ABB IF OTHER.
5. UPSTREAM OVERCURRENT PROTECTION IS REQUIRED, REFER TO TABLE 1.1 FOR RECOMMENDATIONS.
6. MAXIMUM RATED SHORT CIRCUIT CURRENT IS 65kA.
7. OPTIONAL COMPONENT OR FEATURE THAT IS NOT INCLUDED IN BASE PDU CONFIGURATION, AND IS AVAILABLE UPON REQUEST.
8. TRANSFORMER IS AVAILABLE IN BOTH COPPER AND ALUMINUM K-SERIES.
9. UPPER DISTRIBUTION SECTION IS DEFAULT, AND WILL BE POPULATED BEFORE LOWER SECTION.
10. RIGHT SIDE IS DEFAULT LOCATION FOR 1ST SIDECAR.



Legend:

- Power Cable
- Power Cable (by others)
- Interlock
- Control
- Customer Terminal
- SPD (MOV)
- Circuit Breaker
- Transformer
- Current Sensing
- Voltage Sensing
- Temp. Sensing
- Keyed Note

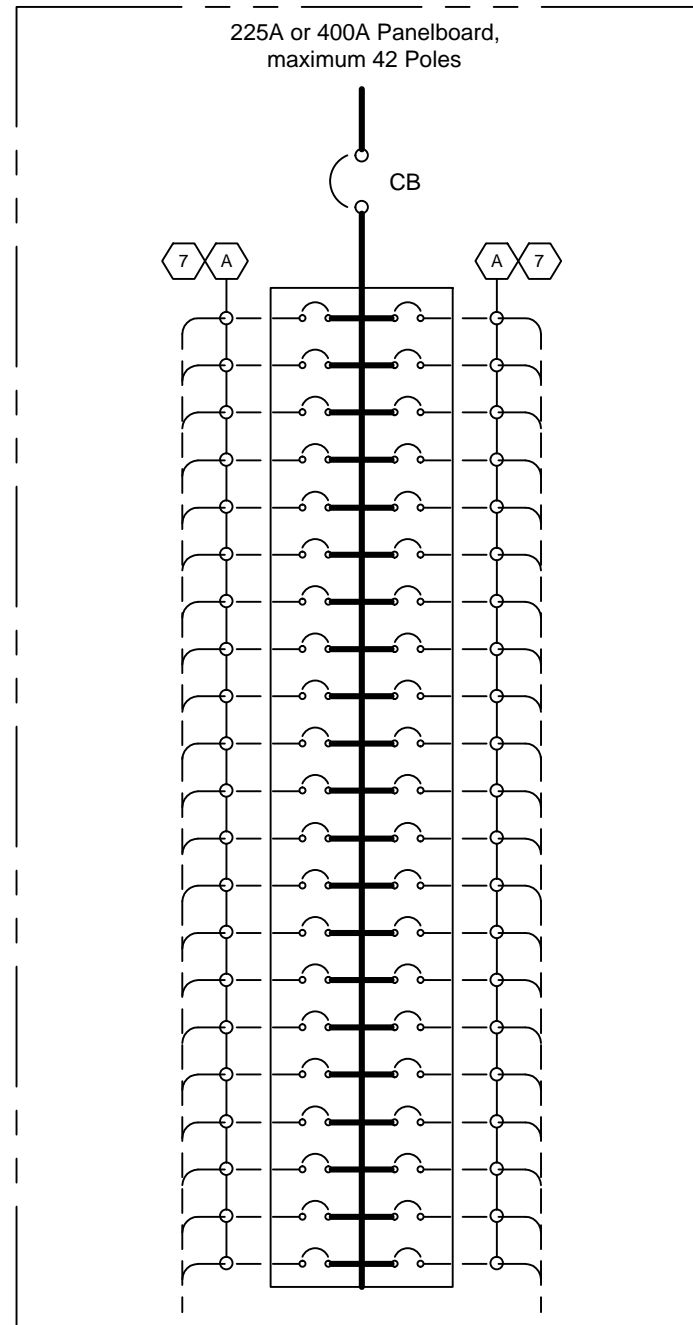
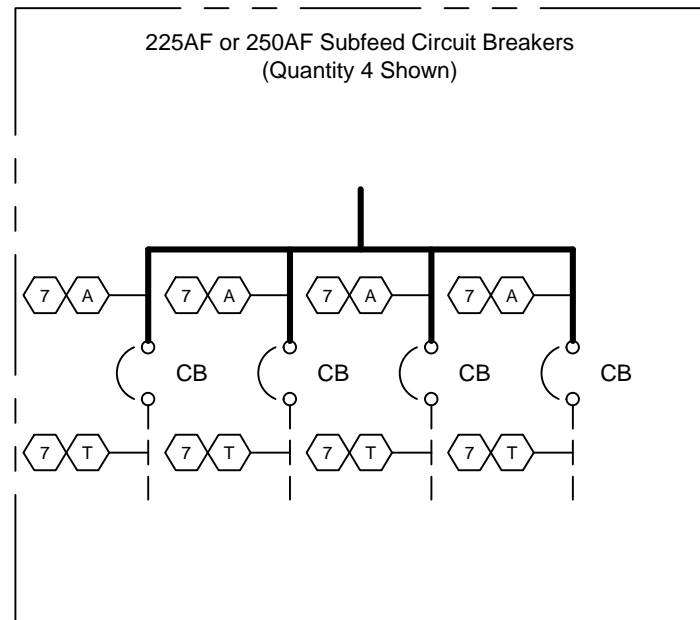
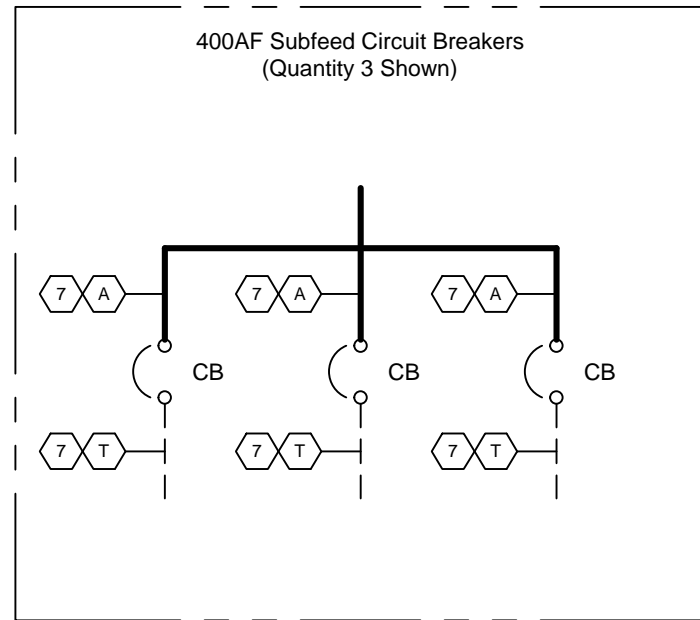
Loading Options for each Distribution Section:
 (1) 225A or (1) 400A PanelBoard
 or
 (1 to 3) 400A Subfeeds
 or
 (1 to 4) 250A Subfeeds
 or
 (1 to 4) 225A Subfeeds
 or
 Empty

Rev.	ECN#	TAK Resp.	Initial Release Description	Date
A0	--	TAK	Initial Release	11/05/2020

Revision Table		Item ID	Item Rev.	Date Drawn
Prepared	T. Kendzia	94-7300-00000200	A0	11/05/2020
Reviewed	A. Cowan	ONE-00089725	A0	B
Approved	Power Solutions	Document Kind	CircuitDiagram	Page 1 / 2

ABB Division/Dept. Power Solutions

Item ID	Item Rev.	Date Drawn
94-7300-00000200	A0	11/05/2020
Document ID	Doc. Rev.	Sheet Size
ONE-00089725	A0	B
Document Kind	Page	
CircuitDiagram	1 / 2	



NOTES:

1. INSTALLATION SHALL COMPLY WITH ALL APPLICABLE NATIONAL, STATE, AND LOCAL CODES.
2. REFER TO PRODUCT DOCUMENTATION FOR ADDITIONAL DETAILS PRIOR TO INSTALLATION AND SITE PREPARATION WORK.
3. THE ONELINE DIAGRAM PROVIDES AN OVERVIEW OF THE POWER STAGE OF THE TYPICAL PDU AND IS NOT REPRESENTATIVE OF ITS PHYSICAL LAYOUT. REFER TO THE OUTLINE DIAGRAM FOR DETAILS.
4. THE PDU IS DESIGNED FOR CONNECTION TO 480VAC 3 ϕ SOLIDLY GROUNDLED OR HIGH RESISTANCE GROUNDLED SOURCES ONLY. CONTACT ABB IF OTHER.
5. UPSTREAM OVERCURRENT PROTECTION IS REQUIRED, REFER TO TABLE 1.1 FOR RECOMMENDATIONS.
6. MAXIMUM RATED SHORT CIRCUIT CURRENT IS 65kA.
7. OPTIONAL COMPONENT OR FEATURE THAT IS NOT INCLUDED IN BASE PDU CONFIGURATION, AND IS AVAILABLE UPON REQUEST.

Rev.	ECN#	TAK Resp.	Initial Release Description	11/05/2020 Date
Revision Table				

Prepared T. Kendzia	Title ONELINE DIAGRAM: TruFit PDU, 50-300kVA, Distribution Options	Item ID 94-7300-00000200	Item Rev. A0	Date Drawn 11/05/2020
Reviewed A. Cowan		Document ID ONE-00089725	Doc. Rev. A0	Sheet Size B
Approved	ABB Division/Dept. Power Solutions	Document Kind CircuitDiagram	Page 2 / 2	