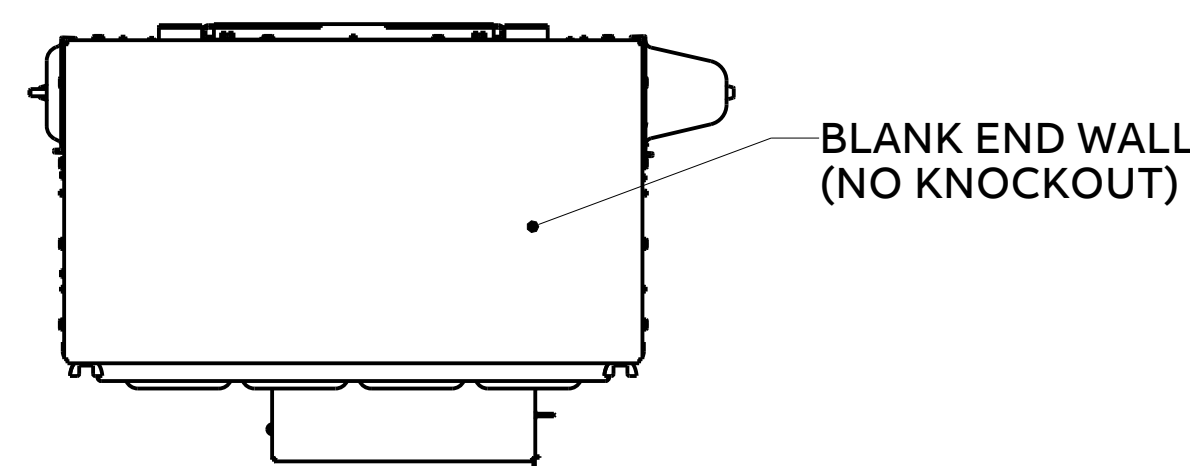
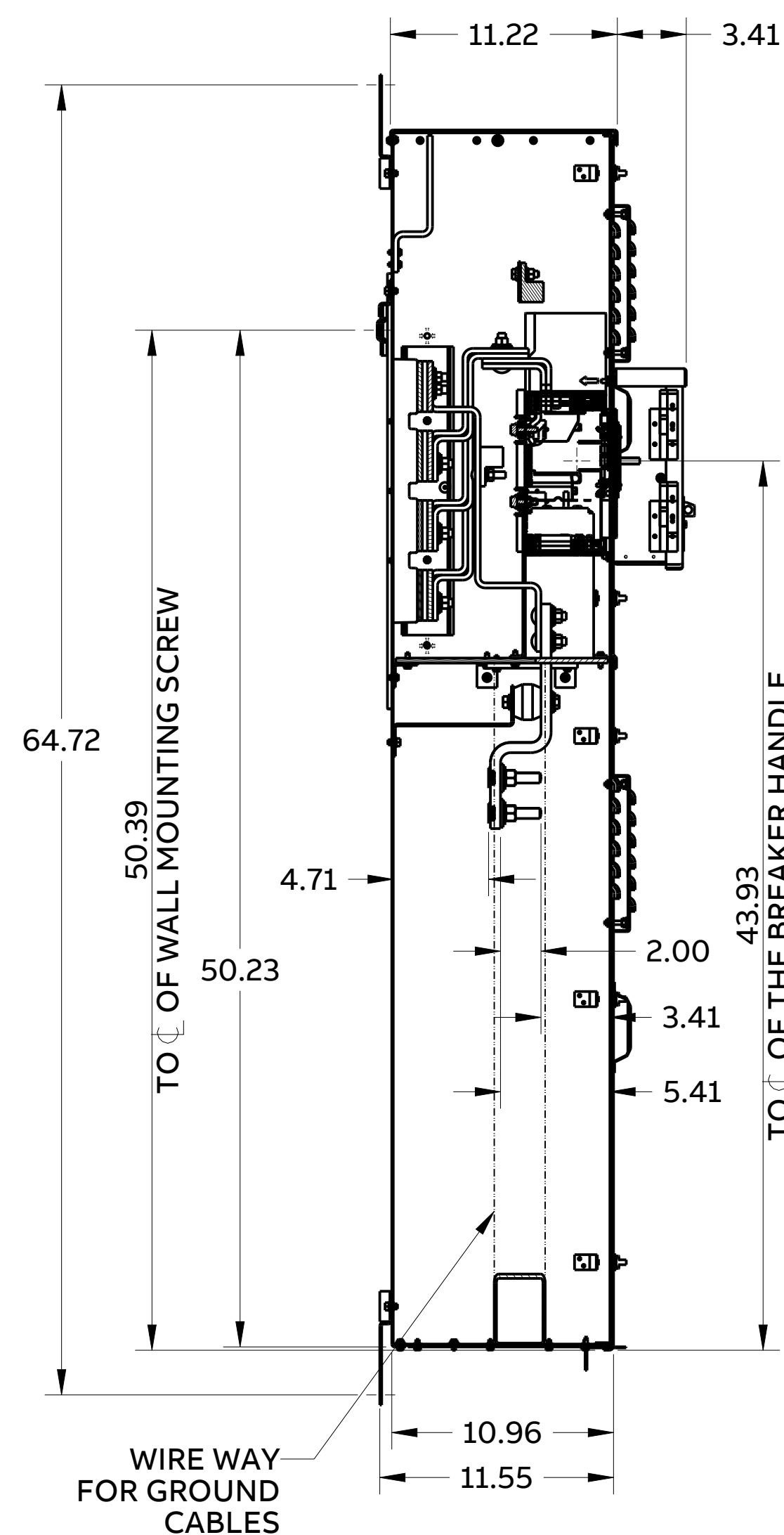


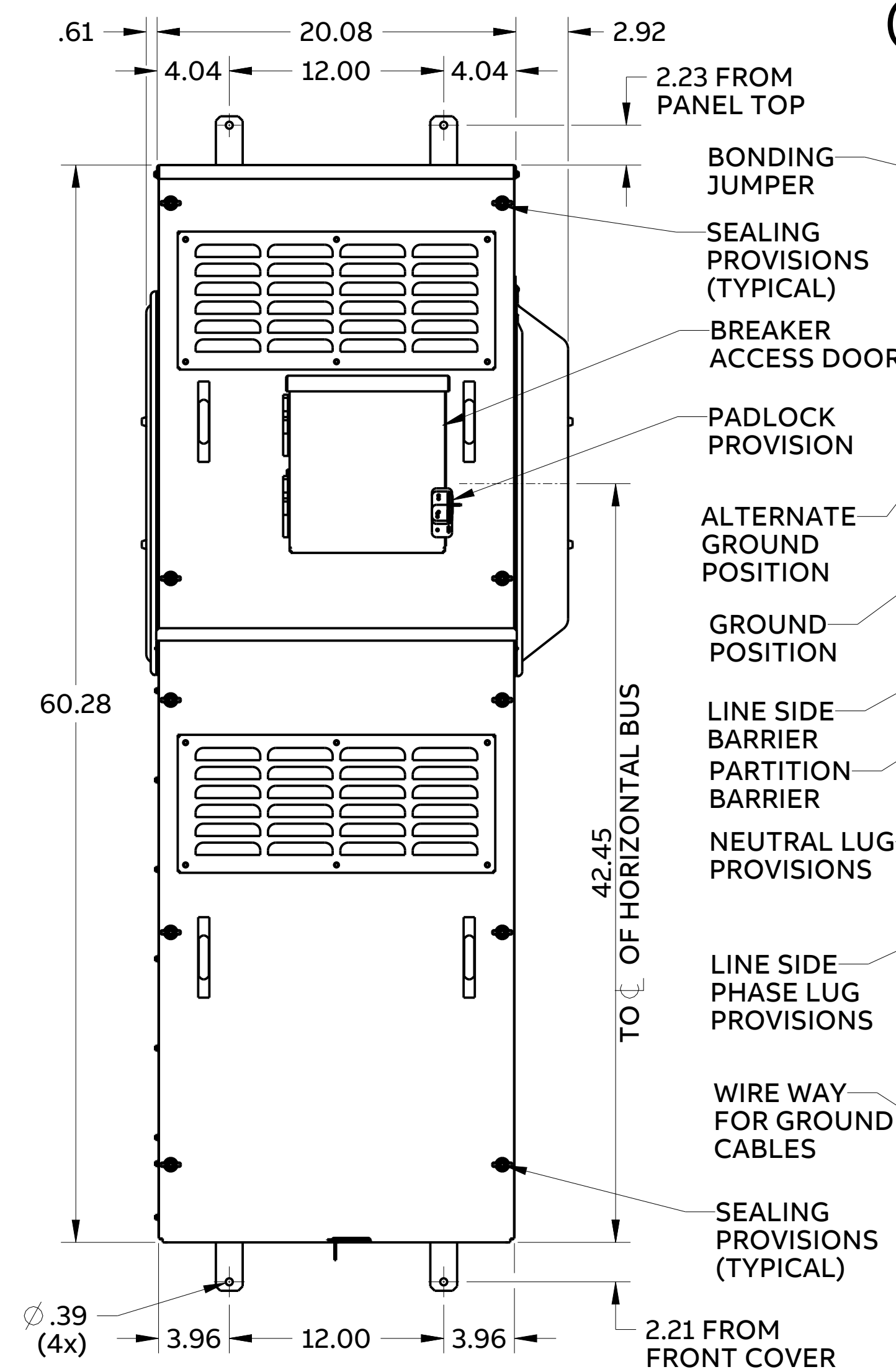
### TOP VIEW



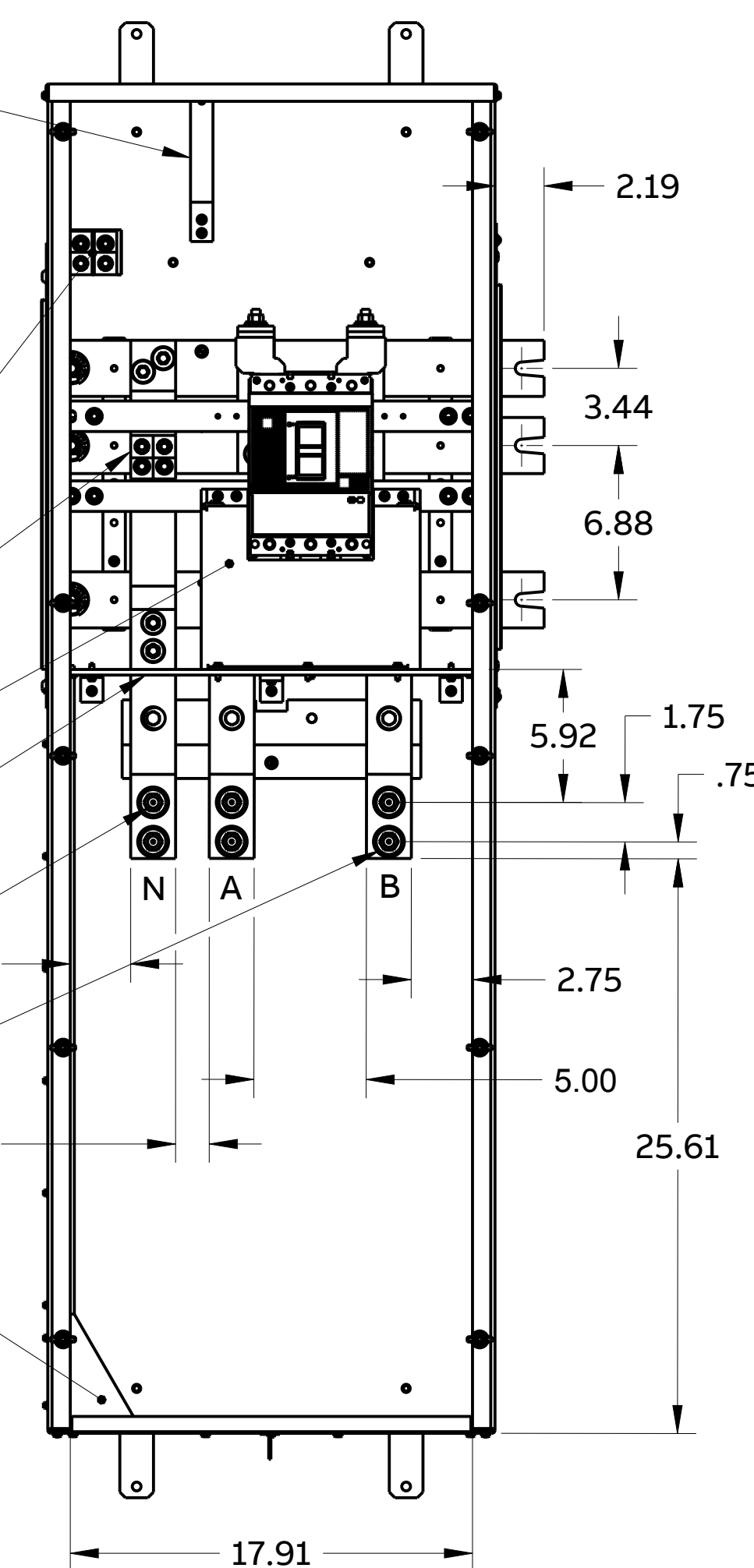
### SECTIONAL SIDE VIEW



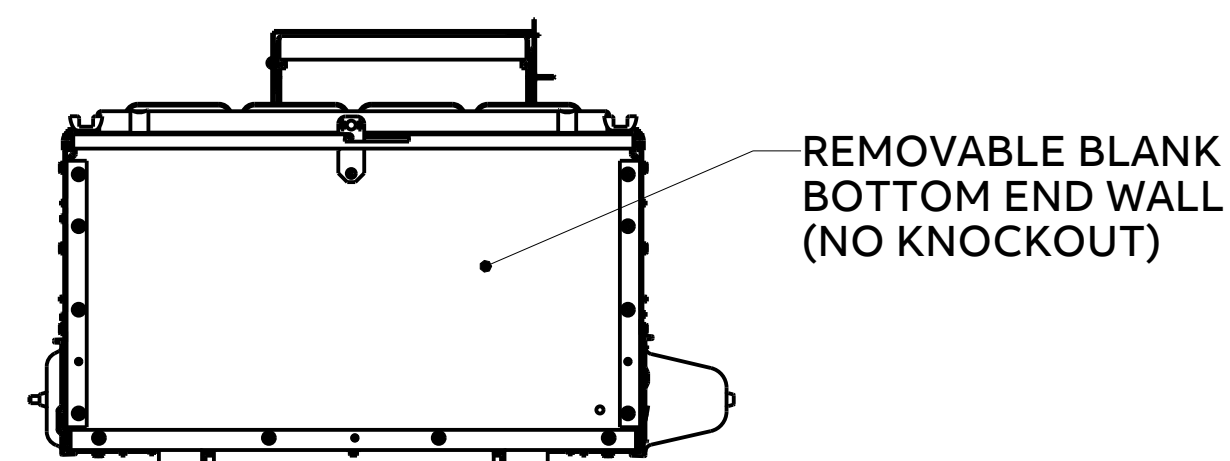
### FRONT VIEW



### FRONT VIEW (WITH OUT FRONT COVERS)



### BOTTOM VIEW



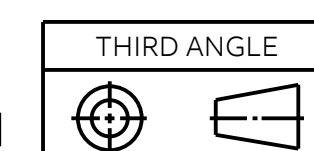
#### Specification:

- Phase: 1-Phase 3-Wire
- Voltage: 120/240V
- Amperage: 400A
- Circuit Breaker Frame: XT5N
- Circuit Breaker Trip Unit: TMA
- Circuit Breaker kAIC: 65kA @ 240V
- Incoming Feed: Bottom Only
- Enclosure: N3R Outdoor
- Estimated Weight: 215 lbs
- Meets EUSERC Requirements, EUSERC Drawing Reference 315, 343, 347

#### Conductor Range:

- Phase lugs and neutral lugs not included, Landing Pad only.
- Landing Pad has provision for double hole lugs up to (1) 750kcmil Cu/Al.
- Ground Lugs: (2) #6-350 kcmil Cu/Al.

DIMENSIONS: INCH



THIRD ANGLE SHEET# 1 of 1

CATALOG NO. RMM1BEL4R

DATE 03-Aug-23

REV A

11



400A MAIN BREAKER MODULE  
65kA 1PH 3W 120/240V N3R EUSERC