


MEDIUM VOLTAGE PRODUCT

TTR 6x. xx

Indoor Bushing Current Transformer

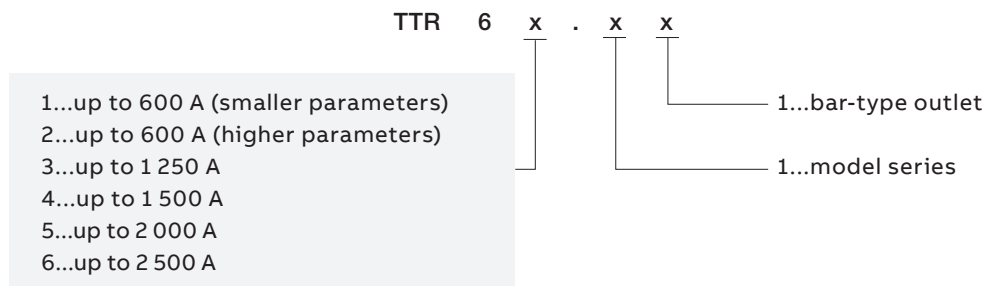


Technical parameters	Value
Highest voltage for equipment	24 (25) kV
Power frequency test voltage, 1 min.	50 (55) kV
Lighting impulse test voltage	125 kV
Rated continuous thermal current	100 - 2 500 A
Rated short-time thermal current	60 -100 kA
Burdens, classes	5-30/0.2 - 1/5P;10P VA/cl
Reconnectible	Secondary reconnectible for 1 core type

Description

The TTR 6x.xx current transformers are cast in epoxy resin and designed for insulation voltages up to 25 kV. The TTR 6x.xx transformers are configured as bar-type, with only one or more ratios (secondary side to be changeover) and perform the function of a bushing when installed in the switchboard. The transformer is designed with either 1 or 2 secondary windings and, depending on the combination of parameters (accuracy class, burden, shortcircuit current, overcurrent factor...) with the possibility to choose from various sizes of the transformer. The secondary windings are used for measurement or protection purposes. One terminal of each secondary winding in use and one terminal of short-circuited and not used winding have to be earthed during the transformer operation. The secondary windings are lead out into a cast-type secondary terminal board, covered with plastic cover which may be sealed. The transformer can be mounted in any position. The transformer position is fixed by using four screws.

Basic marking



Insulation levels of TTR 6x.xx transformer

17.5/38/95 kV 24/50/125 kV 25/55/125 kV

Rated primary voltages

17.5 kV to 25 kV

Rated primary currents

100; 150; 200; 300; 400; 500; 600; 750; 1 000;
1 250; 1 500; 2 000; 2 500 A

Primary currents different from the above can also be agreed upon with the customer.

Rated secondary currents

5 A; 1 A (possibility to combine different values in one transformer)

Rated frequency

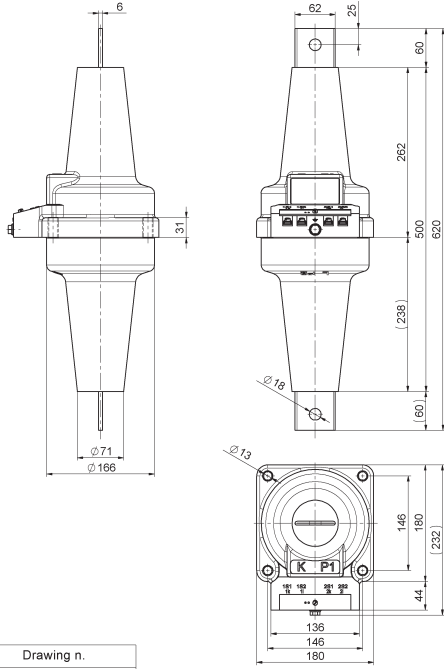
50 Hz or 60 Hz, others on request

The transformers are manufactured conformably to the following requirements and standards: IEC, VDE, ANSI, BS, GOST and CSN

Dimensional Drawings

TTR 61.11

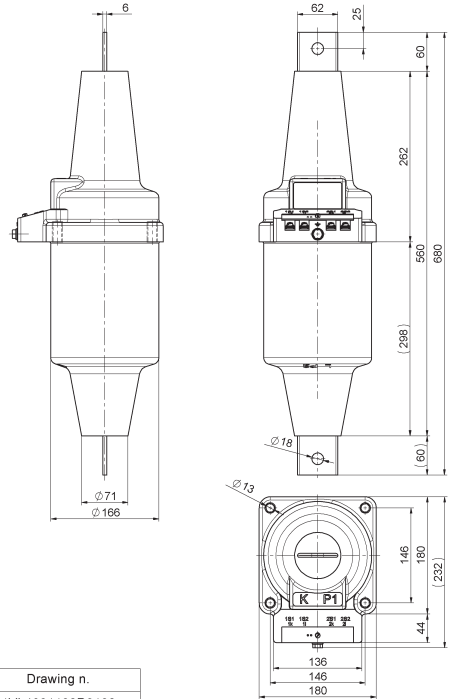
Weight: 14 kg



Drawing n.
1VL4601102R0101

TTR 62.11

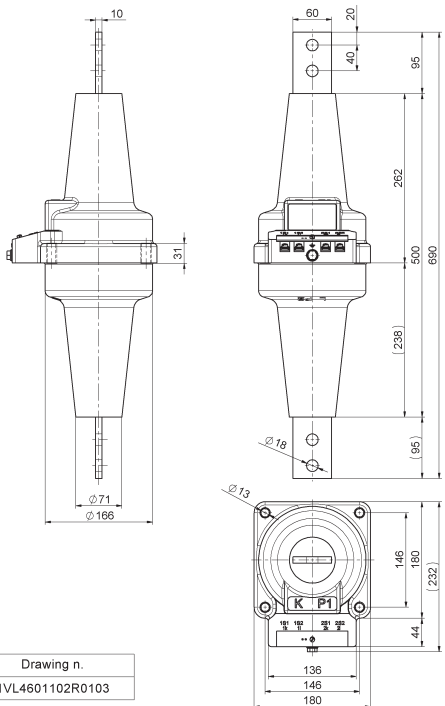
Weight: 21 kg



Drawing n.
1VL4601102R0102

TTR 63.11

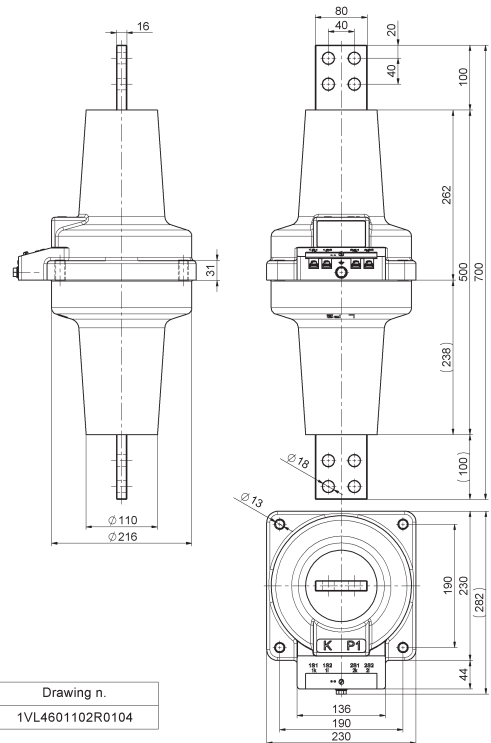
Weight: 15 kg



Drawing n.
1VL4601102R0103

TTR 64.11

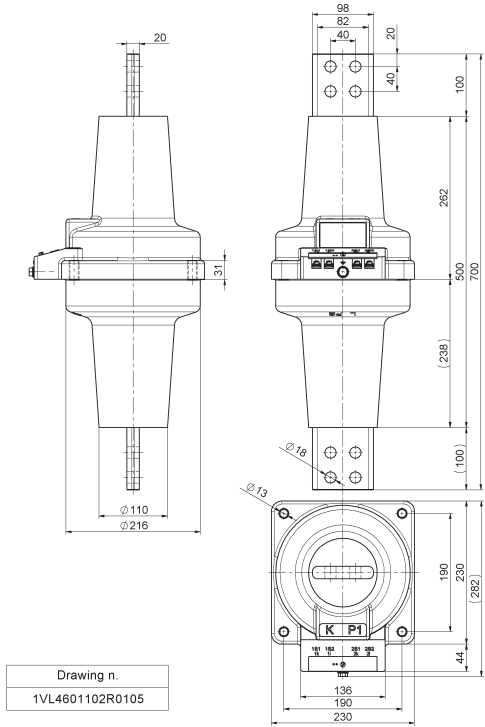
Weight: 23 kg



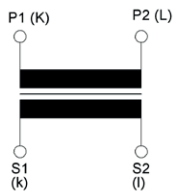
Drawing n.
1VL4601102R0104

TTR 65(6).11

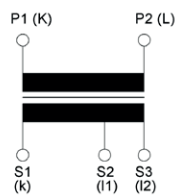
Weight: 32-35 kg



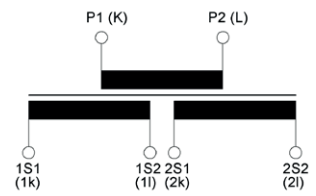
Marking of current transformer outlets - example



a)



b)



c)

a) Single-core design | b) Single-core design, reconnectable on the secondary side | c) Double-core design

Core selection table for types KOKS 24 D11 and _D21

Rated continuous thermal current: $1.2 \times I_{pn}$ except for 6 000 A
 where rated continuous thermal current is $1.0 \times I_{pn}$

Type	Ratio [A]	I_{thn} [kA]	Burden [VA]	accuracy	FS/ALF
61.11	100//5	60	5	1	5
61.11	100//5	60	15	3	5
61.11	100//5	60	10	10P	5
61.11	125//5	60	5	1	5
61.11	125//5	60	15	3	5
61.11	125//5	60	5	10P	10
61.11	125//5	60	10	10P	5
61.11	150//5	60	10	0,5	5
61.11	150//5	60	15	3	5
61.11	150//5	60	5	10P	10
61.11	150//5	60	10	10P	5
61.11	200//5	60	15	0,5	5
61.11	200//5	60	30	3	5
61.11	200//5	60	5	10P	15
61.11	200//5	60	15	10P	5
61.11	200//5/5	60	10/10	3/10P	5/5
61.11	200//5/5	60	5/10	0.5/10P	5/5
61.11	250//5	60	15	0.5	5
61.11	250//5	60	45	3	5
61.11	250//5	60	10	10P	10
61.11	250//5	60	15	10P	5
61.11	250//5/5	60	5/5	0.5/10P	5/10
61.11	250//5/5	60	5/10	0.5/10P	5/5
61.11	250//5/5	60	10/5	3/10P	5/10
61.11	250//5/5	60	10/10	3/10P	5/5
61.11	300//5	60	30	0.5	5
61.11	300//5	60	60	3	5
61.11	300//5	60	5	5P	25
61.11	300//5	60	15	5P	10
61.11	300//5/5	60	5/5	0.5/10P	5/10
61.11	300//5/5	60	5/10	0.5/10P	5/5
61.11	300//5/5	60	10/5	3/10P	5/10
61.11	300//5/5	60	10/10	3/10P	5/5
61.11	400//5	60	30	0.5	5
61.11	400//5	60	60	1	5
61.11	400//5	60	15	5P	10
61.11	400//5	60	30	5P	5
61.11	400//5/5	60	10/5	0.5/10P	5/15
61.11	400//5/5	60	10/15	0.5/10P	5/5
61.11	400//5/5	60	15/5	3/10P	5/15
61.11	400//5/5	60	15/15	3/10P	5/5
61.11	500//5	60	30	0.5	5
61.11	500//5	60	90	1	5
61.11	500//5	60	15	5P	15
61.11	500//5	60	30	5P	5
61.11	500//5/5	60	15/5	0.5/5P	5/20
61.11	500//5/5	60	15/10	0.5/5P	5/10
61.11	500//5/5	60	15/15	0.5/5P	5/5
61.11	500//5/5	60	15/5	3/5P	10/20
61.11	500//5/5	60	15/10	3/5P	10/10
61.11	500//5/5	60	15/15	3/5P	10/5
61.11	600//5	60	30	0.5	5
61.11	600//5	60	120	1	5
61.11	600//5	60	15	5P	15
61.11	600//5	60	30	5P	10
61.11	600//5/5	60	15/5	0.5/5P	10/20
61.11	600//5/5	60	15/10	0.5/5P	10/10
61.11	600//5/5	60	15/30	0.5/5P	10/5
61.11	600//5/5	60	30/5	3/5P	5/20
61.11	600//5/5	60	30/10	3/5P	5/10

Type	Ratio [A]	I_{thn} [kA]	Burden [VA]	accuracy	FS/ALF
61.11	600//5/5	60	30/30	3/5P	5/5
62.11	100//5	60	10	10P	10
62.11	100//5	60	15	10P	5
62.11	100//5/5	60	5/5	1/10P	5/10
62.11	100//5/5	60	5/10	1/10P	5/5
62.11	100//5/5	60	15/5	3/10P	5/10
62.11	100//5/5	60	15/10	3/10P	5/5
62.11	125//5	60	10	10P	10
62.11	125//5	60	15	10P	5
62.11	125//5/5	60	5/5	1/10P	5/10
62.11	125//5/5	60	5/10	1/10P	5/5
62.11	125//5/5	60	15/5	3/10P	10/10
62.11	125//5/5	60	15/10	3/10P	10/5
62.11	150//5	60	15	10P	10
62.11	150//5	60	30	10P	5
62.11	150//5/5	60	10/5	0.5/10P	5/15
62.11	150//5/5	60	10/15	0.5/10P	5/5
62.11	150//5/5	60	15/5	3/10P	5/15
62.11	150//5/5	60	15/15	3/10P	5/5
62.11	200//5	60	15	10P	15
62.11	200//5	60	30	10P	5
62.11	200//5/5	60	15/10	0.5/10P	5/10
62.11	200//5/5	60	15/15	0.5/10P	5/5
62.11	200//5/5	60	15/10	3/10P	10/10
62.11	200//5/5	60	15/15	3/10P	10/5
62.11	250//5	60	15	10P	15
62.11	250//5	60	30	10P	10
62.11	250//5/5	60	15/10	0.5/10P	10/10
62.11	250//5/5	60	15/15	0.5/10P	10/5
62.11	250//5/5	60	15/10	3/10P	10/10
62.11	250//5/5	60	15/15	3/10P	10/5
62.11	300//5	60	15	10P	20
62.11	300//5	60	30	10P	10
62.11	300//5/5	60	30/10	0.5/10P	5/15
62.11	300//5/5	60	30/15	0.5/10P	5/10
62.11	300//5/5	60	15/10	3/10P	10/15
62.11	300//5/5	60	15/15	3/10P	10/10
63.11	750//5	100	60	1	10
63.11	750//5	100	30	5P	10
63.11	750//5/5	100	15/30	0.5/5P	5/5
63.11	1 000//5	100	60	0.5	10
63.11	1 000//5	100	30	5P	10
63.11	1 000//5/5	100	30/15	0.5/5P	5/10
63.11	1 000//5/5	100	30/30	0.5/5P	5/5
63.11	1 250//5	100	120	0.5	5
63.11	1 250//5	100	30	5P	15
63.11	1 250//5/5	100	30/15	0.5/5P	5/10
63.11	1 250//5/5	100	30/30	0.5/5P	5/5
64.11	1 500//5	150	120	0.5	10
64.11	1 500//5	150	60	5P	10
64.11	1 500//5/5	150	60/30	0.5/5P	5/10
64.11	1 500//5/5	150	60/60	0.5/5P	5/5
65.11	2 000//5	200	120	0.5	10
65.11	2 000//5	200	60	5P	10
65.11	2 000//5/5	200	60/30	0.5/5P	5/10
65.11	2 000//5/5	200	60/60	0.5/5P	5/5
66.11	2 500//5	250	120	0.5	10
66.11	2 500//5	250	60	5P	15
66.11	2 500//5/5	250	60/30	0.5/5P	5/15
66.11	2 500//5/5	250	60/60	0.5/5P	5/5

CONTACT US

ABB s.r.o.
EPDS Brno
Videnska 117, 619 00 Brno,
Czech Republic
Tel.: +420 547 152 021
+420 547 152 854
Fax: +420 547 152 626
E-mail: kontakt@cz.abb.com

NOTE

We reserve the right to make technical changes or modify the contents of this document without prior notice. With regard to purchase orders, the agreed particulars shall prevail. ABB does not accept any responsibility whatsoever for potential errors or possible lack of information in this document.

We reserve all rights in this document and in the subject matter and illustrations contained therein. Any reproduction, disclosure to third parties or utilization of its contents - in whole or in parts - is forbidden without prior written consent of ABB.

Copyright© 2019 ABB
All rights reserved