

DATA SHEET

MC502

Memory card



1 Ordering data

Part no.	Description	Product life cycle phase *)
1SAP 180 100 R0001	MC502, memory card	Classic

Part no.	Description	Product life cycle phase *)	Possible migration device
1TNE 968 901 R0100	MC503, memory card adapter for PM55x-xP or PM56x-xP	Classic	Always included in AC500-eCo V3




*) Modules in lifecycle Classic are available from stock but not recommended for planning and commissioning of new installations.

Memory card type	AC500 V2	AC500-XC V2	AC500-eCo V2 ³⁾	AC500 V3	AC500-XC V3	AC500-eCo V3
MC5141	x	x	x	x	x	-
MC5102 with TA5350-AD micro memory card adapter	x ¹⁾	x ^{1) 2)}	x ¹⁾	x	x ²⁾	-
MC5102 without TA5350-AD micro memory card adapter	-	-	-	-	-	x

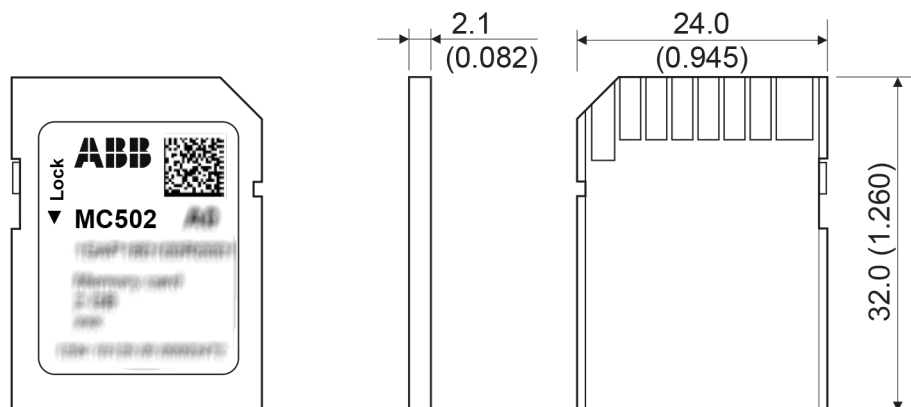
¹⁾ As of firmware 2.5.x


2) Temporary use of MC5102 is possible under normal environmental conditions, but MC5141 should be preferred.

3) A memory card can only be inserted when a MC503 memory card adapter is installed in the processor module.

 Processor modules can be operated with and without (micro) memory card.
 Processor modules are supplied without (micro) memory card. It must be ordered separately.
 AC500-eCo V2 processor modules must be equipped with an MC503 memory card adapter if a memory card is used.

2 Dimensions



 The dimensions are in mm and in brackets in inch.

3 Technical data

Parameter	Value
Memory capacity	2 GB
Total bytes written (TBW)	On request
Data retention	
at beginning	10 years at 40 °C
when number of write processes has been 90 % of lifetime of each cell	1 year at 40 °C
Write protect switch	Yes, at the edge of the memory card
Weight	2 g
Dimensions	24 mm x 32 mm x 2.1 mm



It is not possible to use 100 % of a device's memory space. About 10 % of the total available space must remain unused at any time to maintain normal device operation.