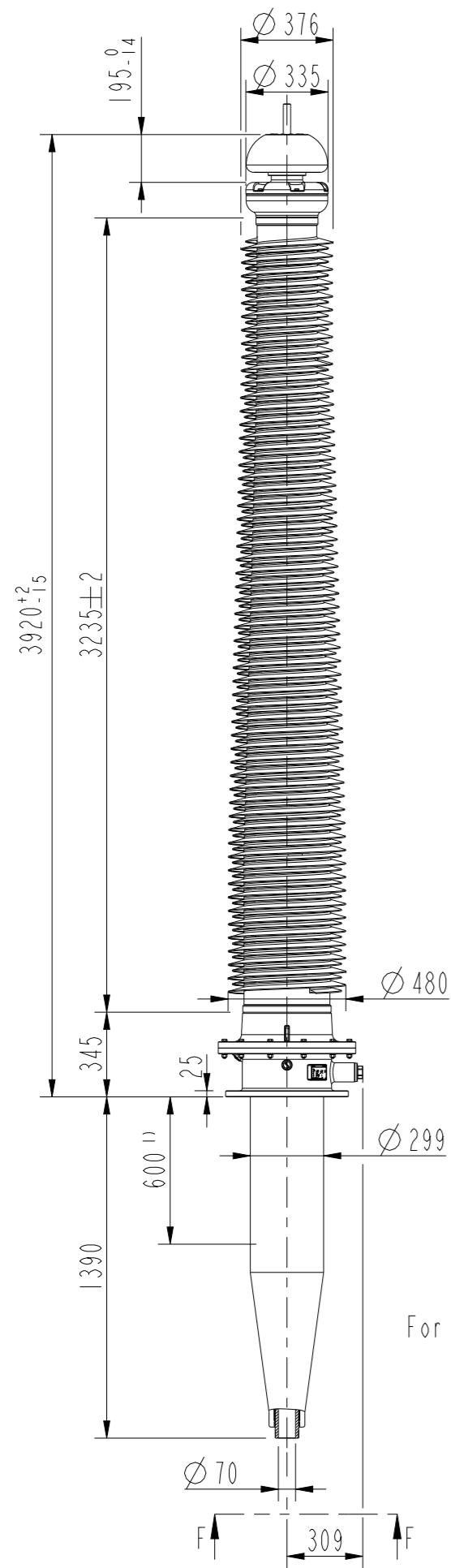


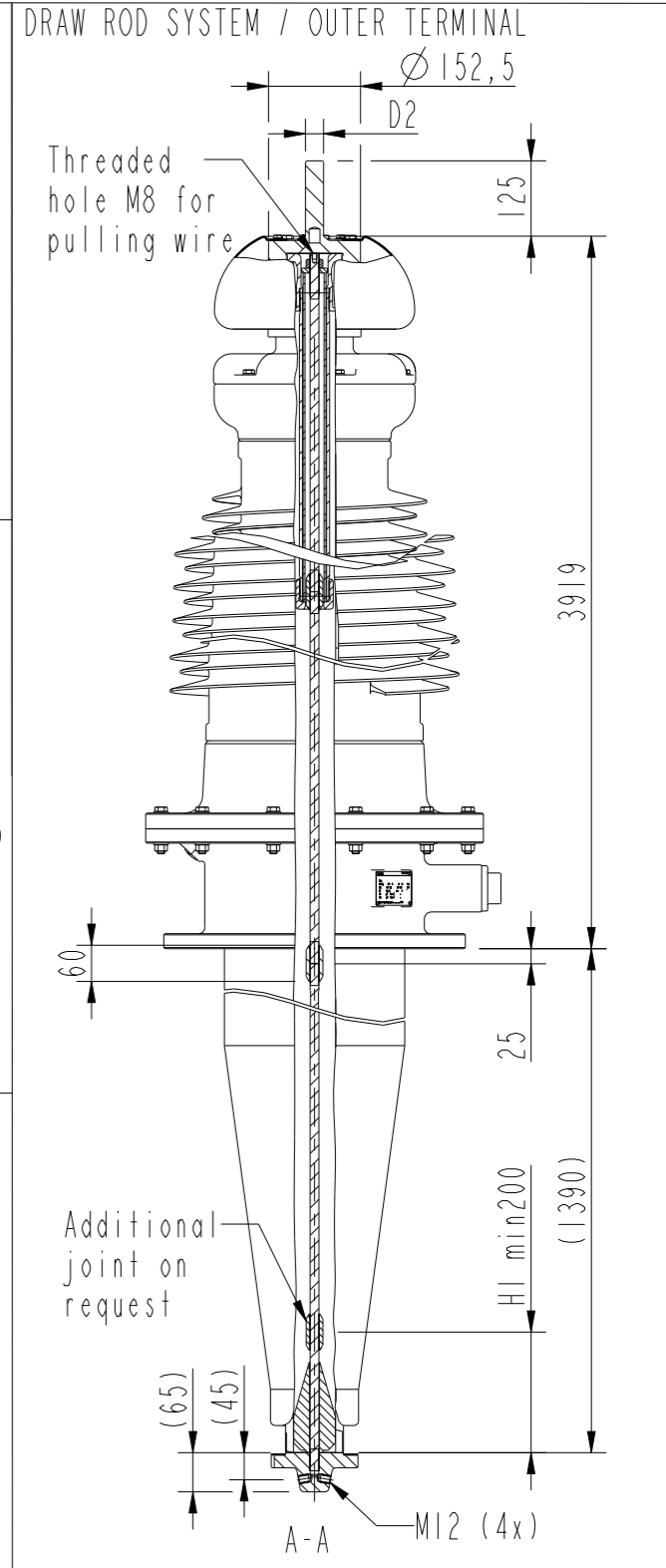
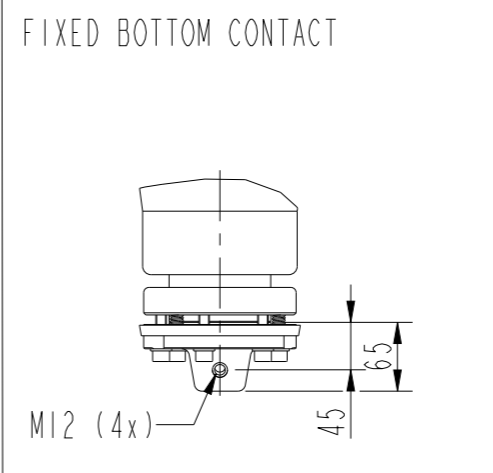
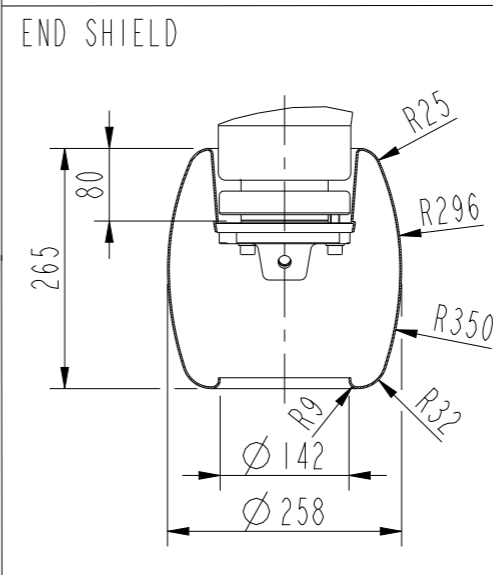
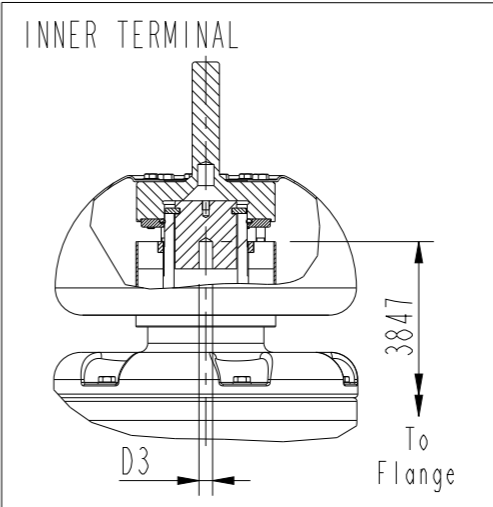
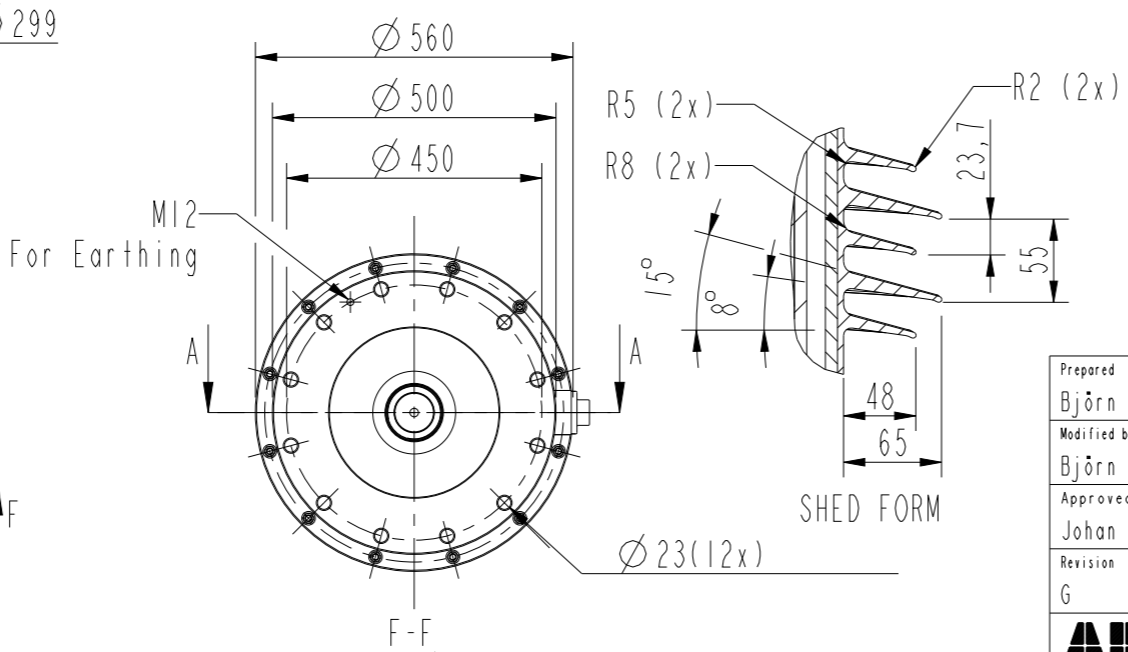
This document is issued by means of a computerized system. The digitally stored original is electronically approved. The approved document has a date entered in the "Approved"-field. A manual signature is not required.

The information contained in this document has to be kept strictly confidential. Any unauthorized use, reproduction, distribution or disclosure to third parties are strictly forbidden. ABB reserves all rights regarding Intellectual Property Rights. © Copyright 2013 ABB. All rights reserved.



Bushings Data:		
Rated Voltage	420	kV
Phase-to-earth Voltage	243	kV
Dry Lightning Impulse 1,2/50µs	1550	kV
Wet Switching Impulse	1050	kV
Wet Power Frequency AC	650	kV
Routine test Imin dry 50Hz	693	kV
Rated Current	1600	A
Creepage Distance, nominal	14322	mm
Creepage Distance, minimum	13747	mm
Temperature class	3	
Mass, Bushing	510	kg

Ordering Data:		
BUSHING		AIR INSULATOR COLOUR/TYPE
IZSC901420 -CAB	Test tap	Composite
IZSC901420 -CBB	Voltage tap 6kV	Composite
OUTER TERMINAL	MATERIAL	D2 (mm)
IZSC999001-AAA	Al	30
IZSC999001-AAB	Al	60
IZSC999001-AAC	Cu	30
IZSC999001-AAD	Cu	40
DRAW ROD SYSTEM		
IZSC999006	Lower draw rod	
IZSC999007	Upper draw rod	
INNER TERMINAL		D3 (mm)
IZSC999005-AAA		15
IZSC999005-AAB		30
IZSC999005-AAC		40
IZSC999005-AAD		42
FIXED BOTTOM CONTACT		
IZSC999002-AAE		
END SHIELD		Epoxy insulated
IZSC999003-AEA		



Prepared	Björn Edberg	2015-06-11	Responsible department	PPCO/BK	Title	GSB 420/1600/0.6		
Modified by	Björn Edberg	2015-03-30	Take over department		Language			82
Approved by	Johan X Eriksson	2015-06-15	Used in product		Order			Sheet no.
Revision	G	Mass			Document no.	2751377-14	No. Shits.	(1)



1) Maximum length of CT