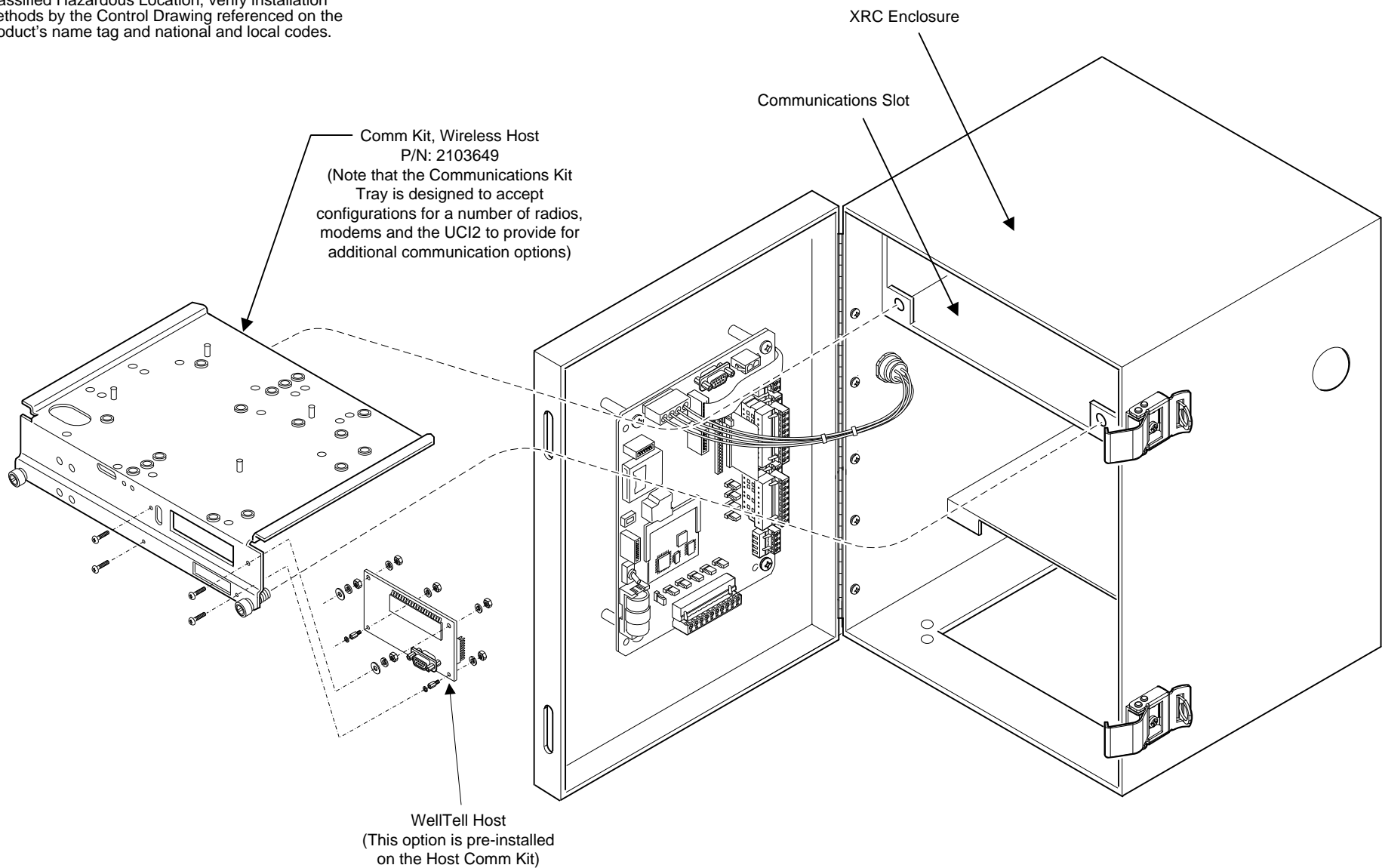



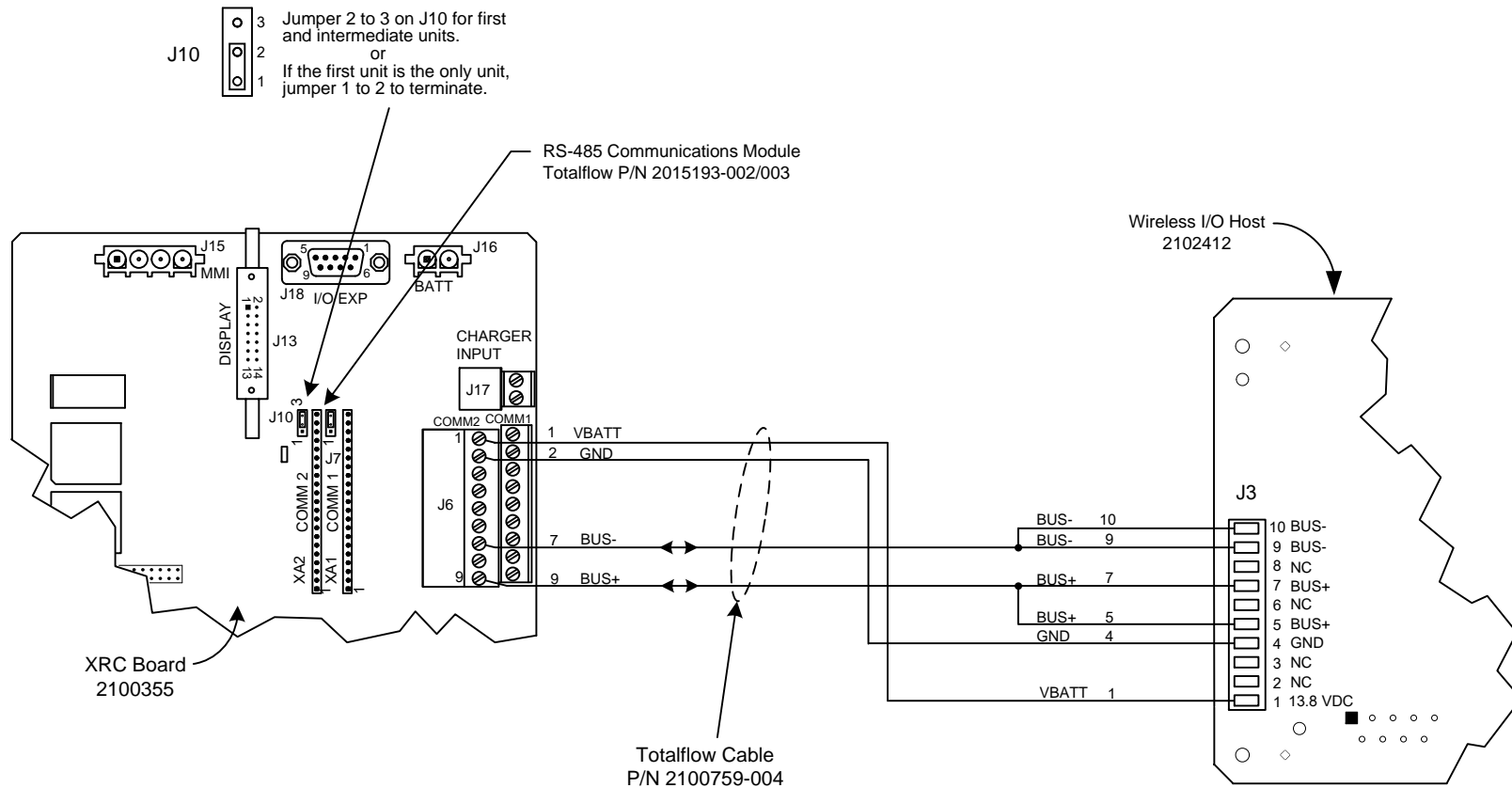
NOTES:

1. WARNING: This drawing does not completely illustrate the installation methods required for hazardous locations. Prior to any installation in a Classified Hazardous Location, verify installation methods by the Control Drawing referenced on the product's name tag and national and local codes.



REF: N/A

 TOTALFLOW Products	ACTION	DOC TYPE	TITLE	DWG NO.	REV	SHEET
	D23095	UD	XRC (2100355 BD) COMM 2 (RS-485) TO WIRELESS I/O HOST (2102412 BD)	2103807	AB	1 OF 2



REF:N/A

	TOTALFLOW	ACTION	DOC TYPE	TITLE	DWG NO.	REV	SHEET
	Products	D23095	UD	XRC (2100355 BD) COMM 2 (RS-485) TO WIRELESS I/O HOST (2102412 BD)	2103807	AB	2 OF 2