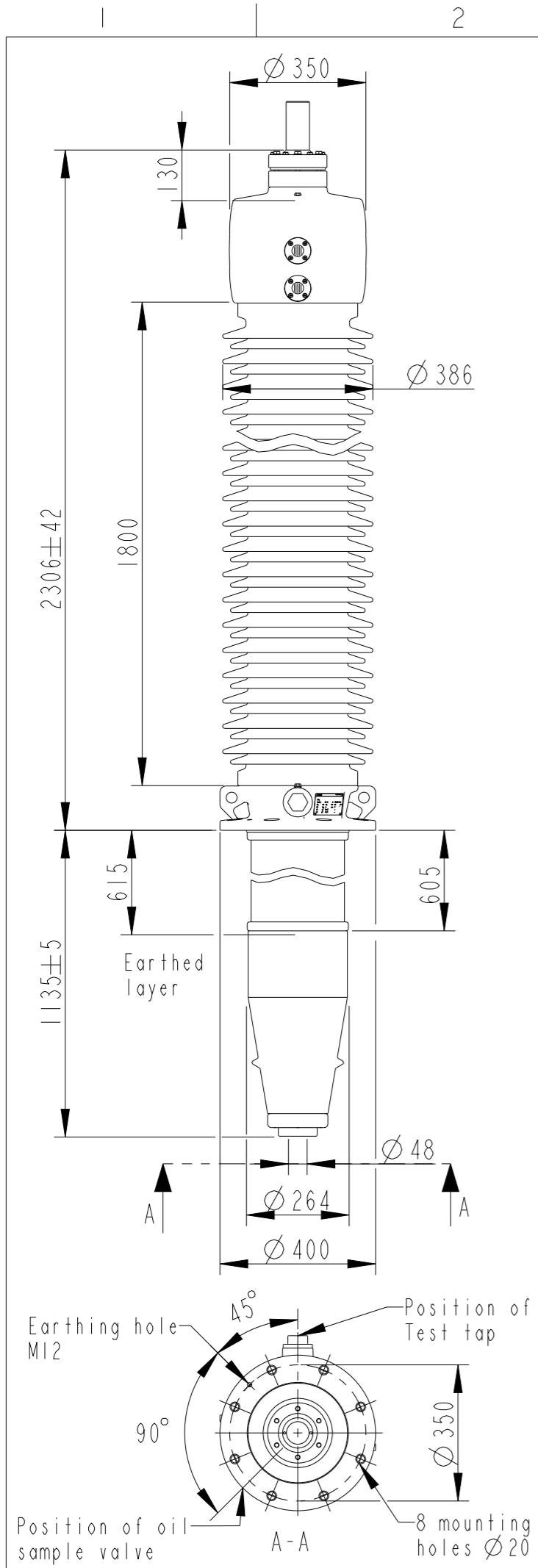


This document is issued by means of a computerized system. The digitally stored original is electronically approved. The approved document has a date entered in the "Approved"-field. A manual signature is not required.

The information contained in this document has to be kept strictly confidential. Any unauthorized use, reproduction, distribution or disclosure to third parties are strictly forbidden. ABB reserves all rights regarding Intellectual Property Rights. © Copyright 2013 ABB. All rights reserved.



Bushing Data:

Rated Voltage	245 kV
Phase to-earth Voltage	141 kV
Dry Lightning Impulse 1,2/50µs	950 kV
Wet Switching Impulse	650 kV
Wet Power frequency AC	395 kV
Routine test Imin dry 50Hz	395 kV
Rated Current	3150 A
Creepage Distance	6820 mm
Mass	435 kg

Ordering Data:

BUSHING	COLOUR AIR INSULATOR				
IZSC902170-AAB / BAB	BROWN / GREY				
OUTER TERMINAL		Max. Rated H2	D2		
		Current (A)	(mm)		
LF170 073-A	Al	2500	125	60	
LF170 073-B	Cu	4000	125	60	
LF170 073-G	Cu/Ag	4000	125	60	
LF170 073-L	Cu/Sn	4000	125	60	
LF170 073-BA	Cu/Ag	3000	125	2"-12UN	
LF170 073-AA	Cu	5000	115	96	
END-SHIELD					
LF170 046-U	EPOXY INSULATED				
LF170 046-UP	INSULATED WITH 3 mm PRESSBOARD				
DRAW ROD SYSTEM					
LF170 059	LOWER DRAW ROD WITH NI=4 OR NI=6				
LF170 057	UPPER DRAW ROD				
INNER TERMINAL					
	D3	D9	Cond.area	Current (A)	
	(mm)	(mm)	(mm ²)	IEC	IEEE
LF170 056-E	0 *	45	-	-	-
LF170 056-D	40	45	600	1600	1360

*) WITH PILOT HOLE D=5

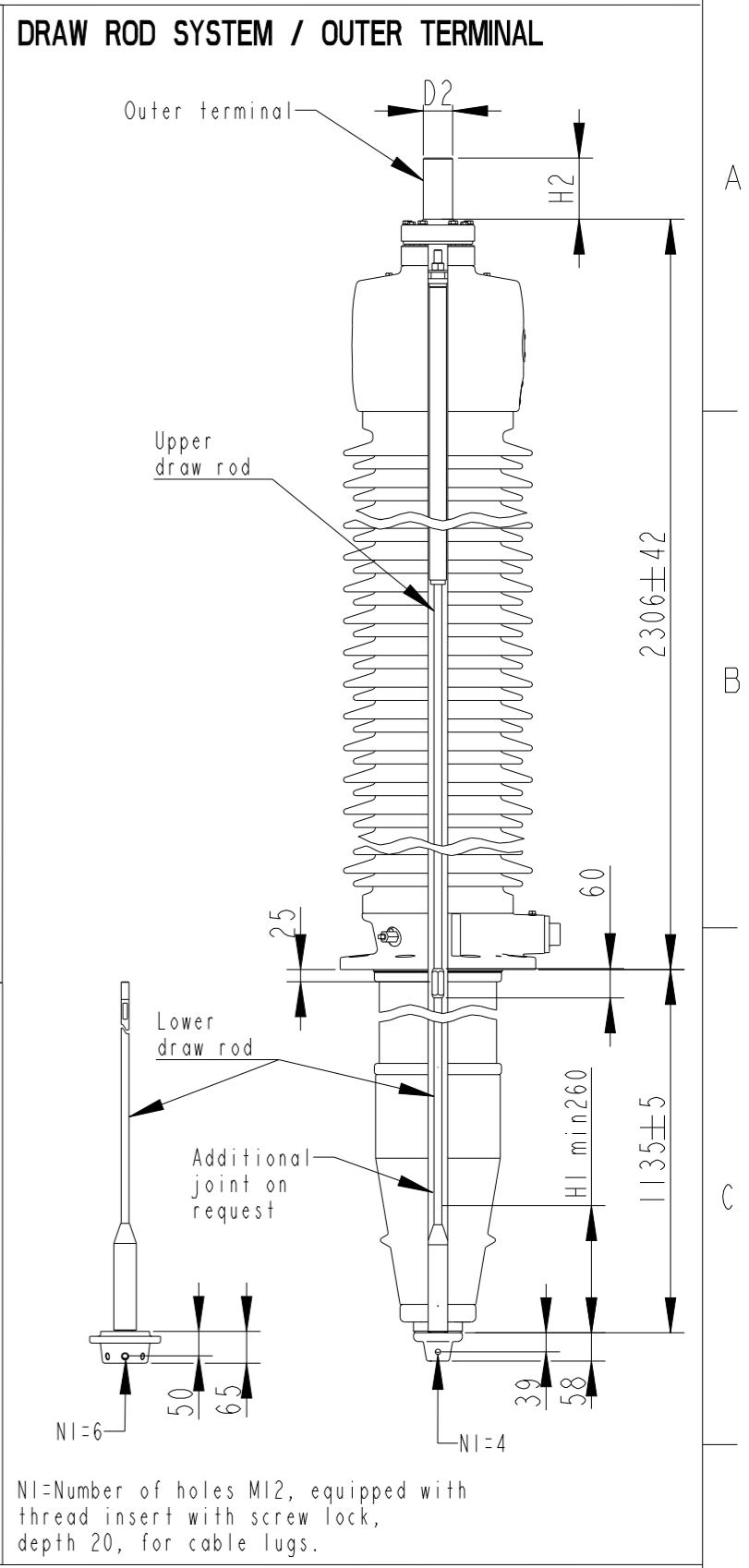
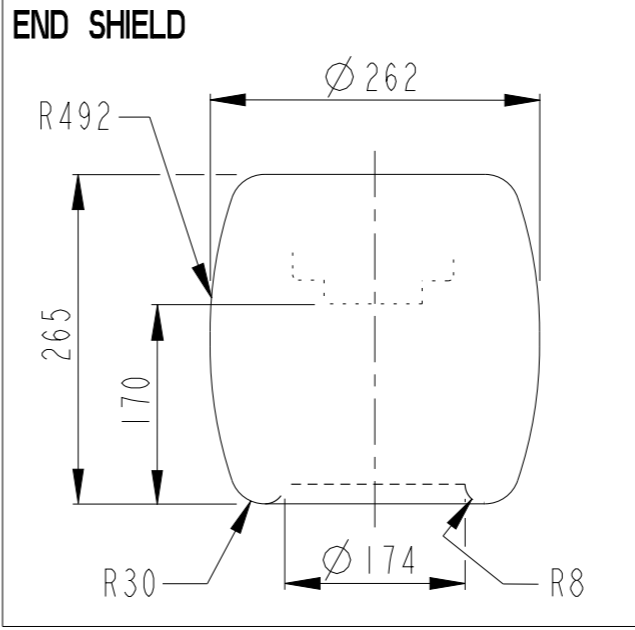
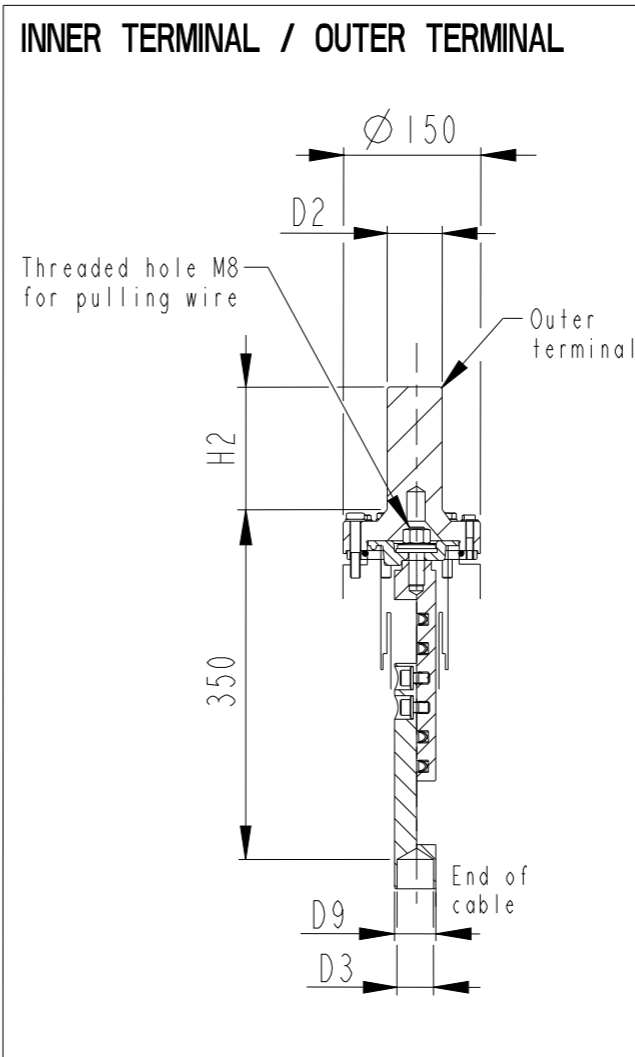


ABB		Ludvika, Sweden	
No.			
Um/Uy	kV Ir	A	50/60 Hz
BL	kV SL	kV AC	kV
M	kg L	mm	°
C1	pF Tan δ		x
C2	pF Tan δ		x

Prepared	2017-06-26	Responsible department	PGCO/BK	Title	
Modified by	2017-06-28	Take over department		GOE 950-650-3150-0.6	
Approved by	2017-06-28	Used in product		GOE 950-650-3150-0.6	Language
Revision	J	Drawing display updated			82
				Order	Sheet no.
				Document no.	No. Shis.
				2751369-310	(1)