
 TECHNICAL DATA SHEET

PMA Accessories - BSS-OS - Screwless Abrasion Protection Sleeve

PMA



The PMA Screwless Abrasion Protection Sleeve offers an easy-to-install, metal/screw-free solution to protect corrugated conduits against abrasion and chafing



Applications:

- Screwless abrasion protection for corrugated conduits in positions exposed to chafing

Features & Benefits:

- Increases lifetime of moving conduits in dynamic applications
- Optimized for high impact resistance
- No metal parts, no screws
- Tool-free installation
- Easy (re-)positioning without full disassembly
- Excellent chafing characteristics
- Fits both conduit profiles - fine (T) and coarse (G)

Materials:

- High-grade, specially formulated polyamide 6

Compatible with:

- PMAFLEX Pro Conduits
- PMAFLEX Multilayer Conduits
- PMAFLEX Conduits
- PMA Smart Line Conduits

Weathering resistance:

- Very good UV resistance and weathering characteristics

Colour:

- Black

Chemical properties:

- Please refer to www.pma.ch (Technical Information / Chemical Resistance)

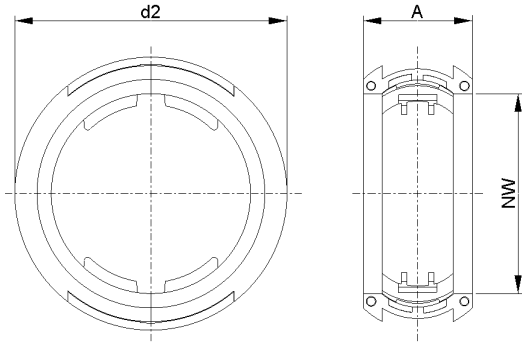
Environmental properties:

- Free from halogens and cadmium
- RoHS and REACH compliant

Product selection:

Part no.	Conduit size	Dimensions in mm (nom.)		Weight	Packing unit
	NW	d2	A	kg/100 pcs	pcs/PU
BSS-36-OS	36	63.0	30.0	2.3	20
BSS-48-OS	48	75.0	30.0	3.2	10
BSS-70-OS	70	104.0	44.0	7.3	10

Our customer service dept. or local distribution partner will be pleased to help you concerning product availability and lead time



Mechanical Properties:	Value:	Test parameters:	Test method:
Tensile modulus	1'200 ... 3'700 N/mm ²		ISO 527
Tensile strength	45 ... 65 N/mm ²		ISO 527
Notched bar impact test	4 ... 20 kJ/m ²		ISO 180/1C

Thermal properties:	Value:	Test parameters:	Test method:
Continuous application temperature	-50 ... +105°C		PMA DO 9.21-4510
Upper application temperature	+120°C	(20'000 h)	PMA DO 9.21-4360
Short-term	+160°C	(168 h)	PMA DO 9.21-4360

Content of delivery:

- 1x Screwless Abrasion Protection Sleeve

Assembly instructions:

- Please consider the appropriate assembly instructions on www.pma.ch

ABB Switzerland Ltd,
PMA Cable Protection
Aathalstrasse 90
8610 Uster, Switzerland
Phone: +41 58 585 00 11
pma-info@ch.abb.com
www.pma.ch

Let's write the future.
Together. **abb.com**

We reserve the right to make technical changes or modify the contents of this document without prior notice. With regard to purchase orders, the agreed particulars shall prevail. ABB Installation Products Inc. does not accept any responsibility whatsoever for potential errors or possible lack of information in this document.

We reserve all rights in this document and in the subject matter and illustrations contained therein. Any reproduction, disclosure to third parties or utilization of its contents – in whole or in parts – is forbidden without prior written consent of ABB Inc. Copyright© 2019 ABB Installation Products Inc. All rights reserved

