

This document is issued by means of a computerized system. The digitally stored original is electronically approved. The approved document has a date entered in the "Approved"-field. A manual signature is not required.

We reserve all rights in this document and in the information contained therein. Reproduction, use or disclosure to third parties without express authority is strictly forbidden.

Revision	Revision text
C	Removed Alt.2, Changed the Phase to ground voltage from 123 to 98kV

Bushing Data:

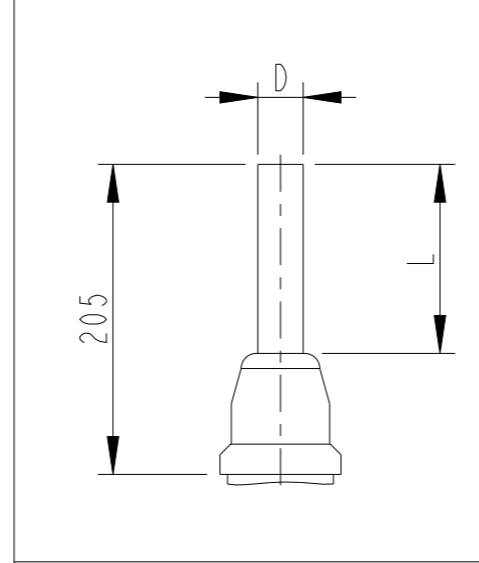
Rated Voltage	170	kV
Phase to Ground Voltage	$\triangle C$ 98	kV
Dry Lightning Impulse 1,2/50 μ s	550	kV
Wet power frequency AC	230	kV
Routine test 1min dry 50Hz	260	kV
Rated Current	1250	A
Creepage Distance	3430 \pm 100	mm
Creepage Distance Protected	1350	mm
Mass	106	kg

Ordering Data:

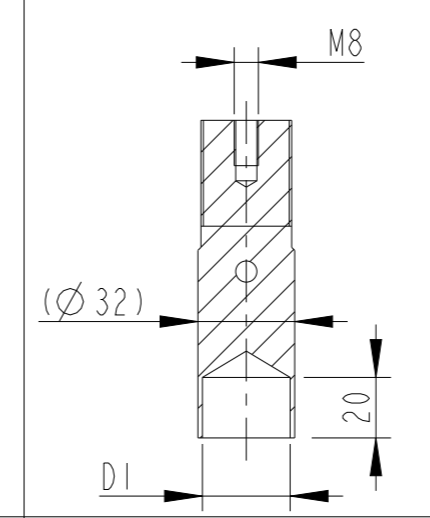
BUSHING	COLOUR AIR INSULATOR
LF123142-M	BROWN
-N	LIGHT GREY
OUTER TERMINAL	Material D L
LF 170 002-B	Cu alloy, \varnothing 30,125
LF 170 001-B	Al, \varnothing 30,125
OTHER TYPES ON REQUEST	
INNER TERMINAL FOR STRANDED CABLE	
For brazing	Conductor area D1
LF 170 011-T	up to 285mm ² \varnothing 29
LF 170 011-V	Undrilled with pilot hole \varnothing 5
SOLID ROD CONNECTOR	Material
LF 170 052 -AT for Alt.1	Cu

Note:
 Mounting inclination 0-45°.
 For inclined and horizontal mounting,
 see Installation and Maintenance Guide.

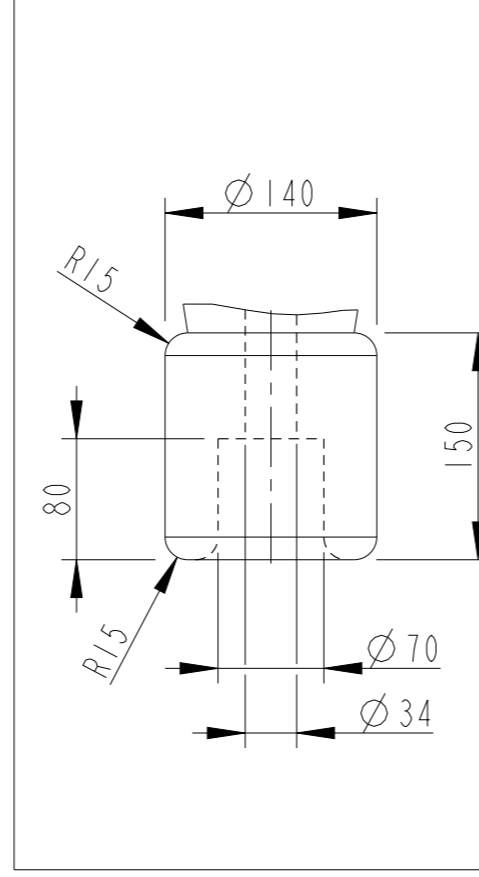
OUTER TERMINAL



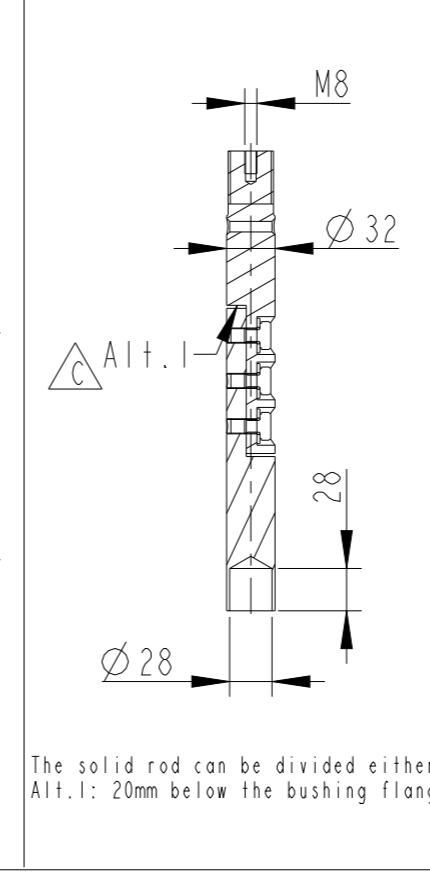
INNER TERMINAL FOR STRANDED CABLE



END SHIELD



SOLID ROD CONNECTOR



The solid rod can be divided either:
 Alt.1: 20mm below the bushing flange

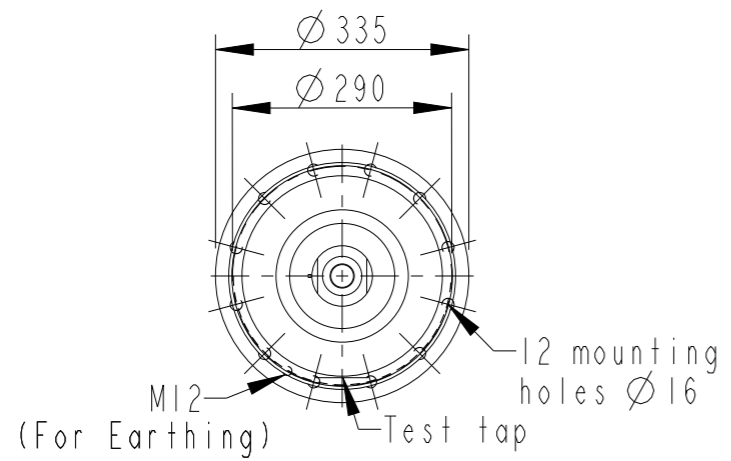
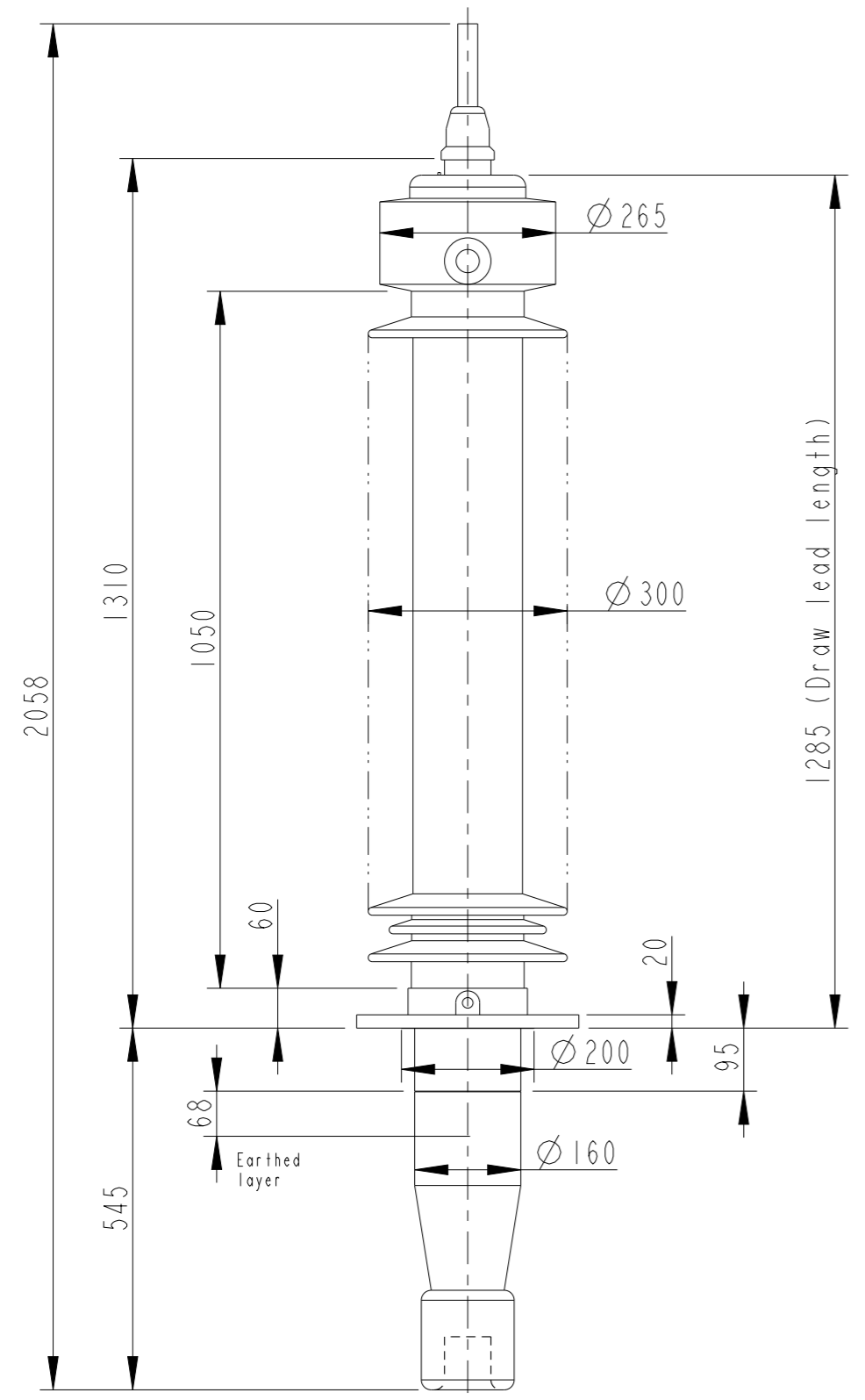


ABB		Ludvika, Sweden	
No.			
Um	kV Ir	A	50/60 Hz
BL	kV SL	kV AC	kV
M	kg L	mm	✓
C1	pF Tan δ	x	°
C2	pF Tan δ	x	°

Created by Balaji.G.R	Reviewed by Joakim Persson	Approved by Natalia Gutman
Approved 2020-01-14	Document Kind Outline Drawing	Based on doc.id Work order id Project id
Company ABB Technology Ltd	Title, Supplementary title GOB 550-1250-0.1 WITH OIL LEVEL GAUGE LONG END SHIELD	
Responsible Department SEABB-9AAE300824	Document id 2751369-212	Status Released
ABB	Revision C	Iteration 1/1