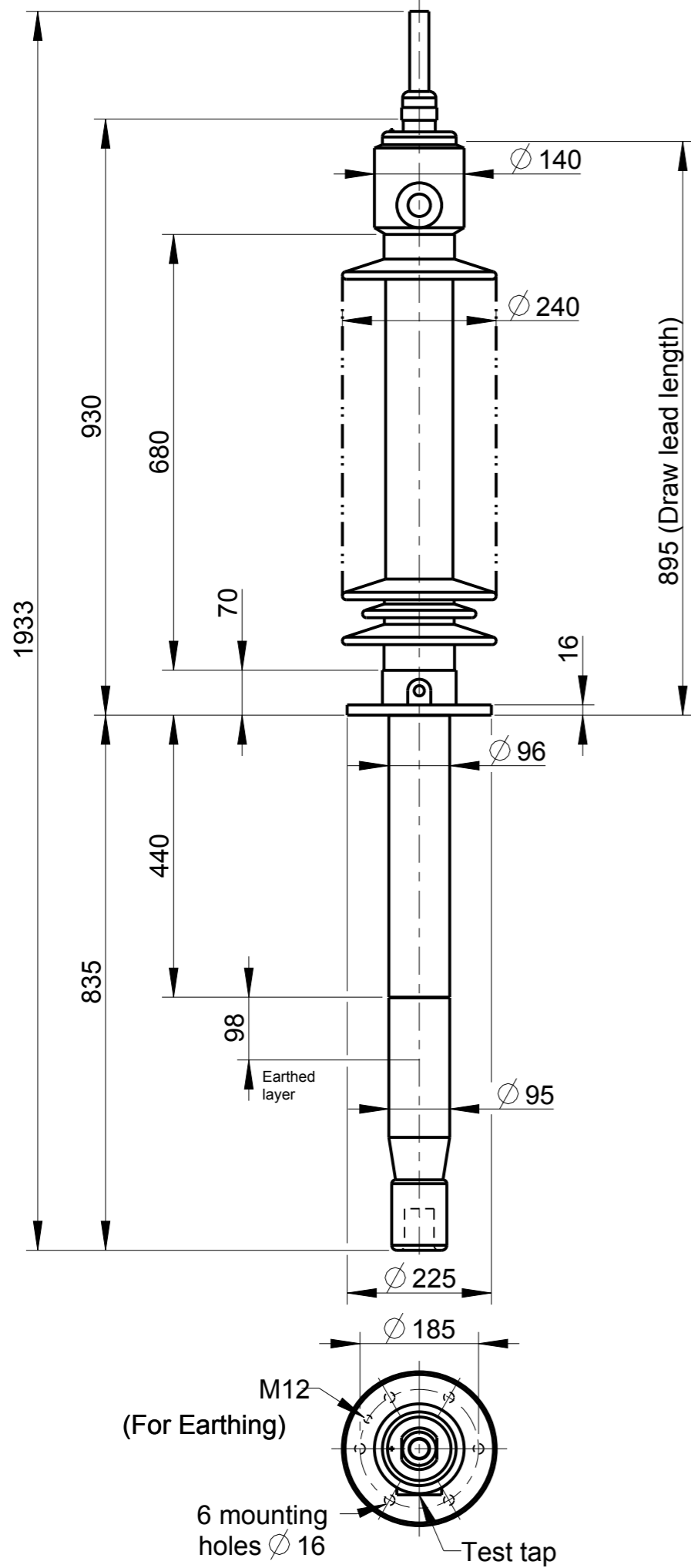
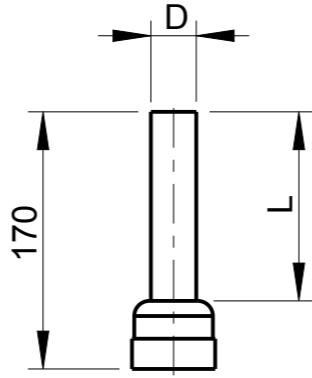


This document is issued by means of a computerized system. The digitally stored original is electronically approved. The approved document has a date entered in the 'Approved'-field. A manual signature is not required.

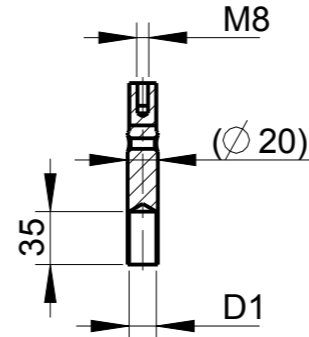
The information contained in this document has to be kept strictly confidential. Any unauthorized use, reproduction, distribution or disclosure to third parties are strictly forbidden. ABB reserves all rights regarding Intellectual Property Rights. © Copyright 2013 ABB. All rights reserved.



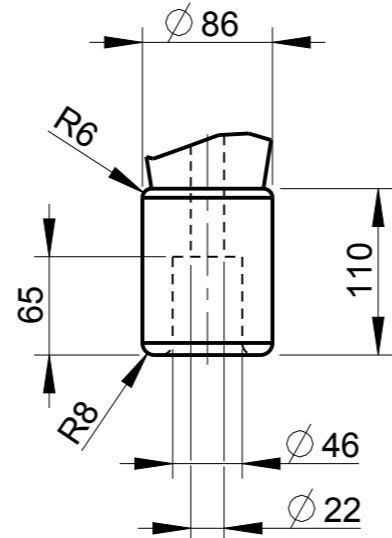
**OUTER TERMINAL**



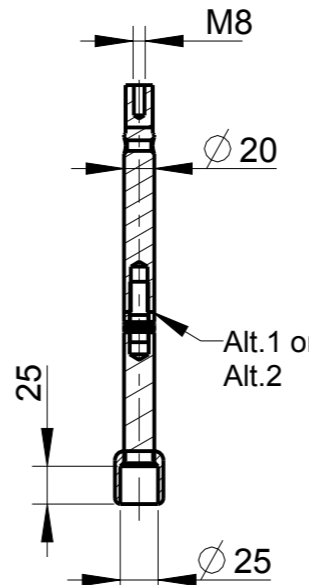
**INNER TERMINAL FOR STRANDED CABLE**



**END SHIELD**



**SOLID ROD CONNECTOR**



The solid rod can be divided either:  
Alt.1: 20mm below the bushing flange or  
Alt.2: 20mm below the upper end of the bottom porcelain

Note:  
Mounting inclination 0-45°.  
▲ For inclined and horizontal mounting, see Installation and Maintenance Guide.

**Bushing Data:**

Rated Voltage	100	kV
Phase to Ground Voltage	72.5	kV
Dry Lightning Impulse 1,2/50µs	380	kV
Wet power frequency AC	150	kV
Routine test 1min dry 50Hz	162	kV
Rated Current	800	A
Creepage Distance	2210±70	mm
Creepage Distance Protected	870	mm
Mass	40	kg

**Ordering Data:**

BUSHING	COLOUR AIR INSULATOR	
LF123187-M	BROWN	
-N	LIGHT GREY	
OUTER TERMINAL	Material D L	
LF 170 002-A	Cu alloy, Ø 30,125	
LF 170 001-A	Al, Ø 30,125	
OTHER TYPES ON REQUEST		
INNER TERMINAL FOR STRANDED CABLE		
For brazing	Conductor area	D1
LF 170 011-S	up to 150mm <sup>2</sup>	Ø 18
LF 170 011-U	Undrilled with pilot hole	Ø 5
For crimping or brazing	Conductor area	D1
LF 170 010-M	50mm <sup>2</sup>	Ø 11
LF 170 010-N	70mm <sup>2</sup>	Ø 13
LF 170 010-L	95mm <sup>2</sup>	Ø 15
SOLID ROD CONNECTOR	Material	
LF 170 019 -BF for Alt.1	Cu	
LF 170 019 -BG for Alt.2	Cu	

<b>ABB</b> Luleå, Sweden	
No.	
Um/Uy	kV Ir A 50/60 Hz
BL	kV SL kV AC kV
M	kg L mm V °
C1	pF Tan δ x
C2	pF Tan δ x

Prepared	iladmin	2008-04-30	Responsible department	PPCO/BK	Title	GOB 380-800-0.5	Language	82
Modified by	Palpandi K	2013-04-23	Take over department					
Approved by	Niklas Olsson	2013-05-14	Used in product		WITH OIL LEVEL GAUGE LONG END SHIELD	Sheet no.	1	
Revision	B	Note added	Order		Document no.	2751369-192	No. Shts.	(1)