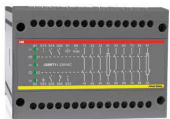
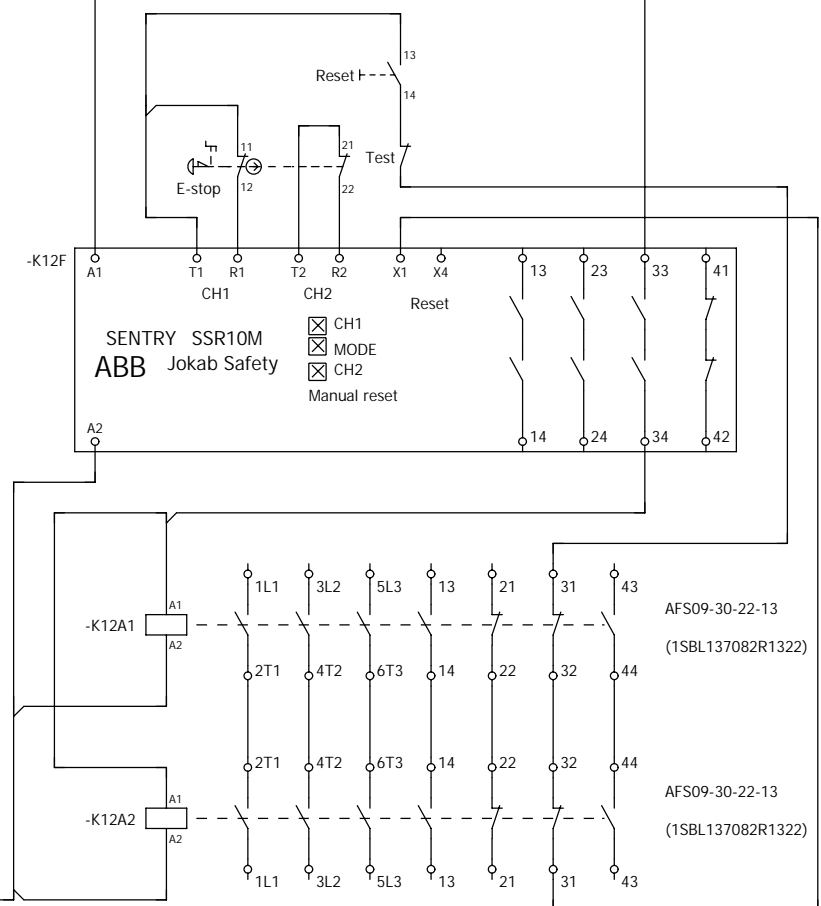


Replacing JSBRT11 AC supply Dual channel e-stop circuit



7xNO + 2xNC

Obsolete product
JSBRT11 2TLA010025R0500 (E3860252)



7xNO + 2xNC

1 pc SSR10M 2TLA010050R0100 (E3860820)
2 pc AFS09-30-22-13 1SBL137082R1322 (E3210661)