

TECHNICAL DATA SHEET - INTERACTIVE PDF

Adapter, female threaded, PVC

Connects PVC coated RMC conduit to NM PVC conduit

Ocal[®]



Female threaded adapter connects PVC coated RMC to schedule 40 and 80 rigid PVC conduits, creating a seamless transition.

Certifications / Standards:

3-Part Specification: 26 05 83.11

Tools and Calculators

Features:

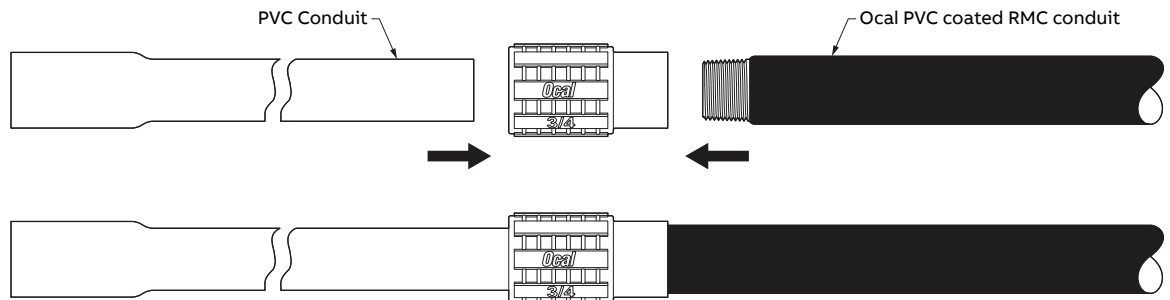
- Over molded Flexible PVC pressure-sealing sleeve that helps provide additional protection at the connection
- Additional impact protection provided by a thick layer of flexible PVC

Applications:

- Used as means of creating a transition from NPT threaded PVC coated RMC to schedule 40 or 80 rigid non-metallic PVC conduits

Assembly drawing:

PVC and PVC coated RMC conduit attached to female adapter



Materials / Finishes:

- Rigid PVC /OCAL flexible PVC

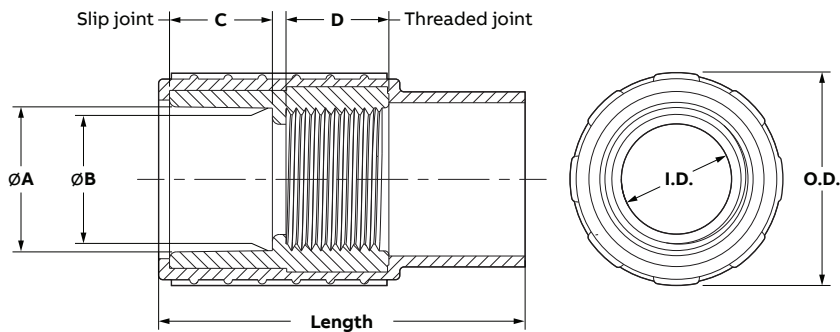
Table Data:

- [Table 1: Adapter female threaded, PVC](#)

Table 1
Adapter, female threaded, PVC

| Product selection and dimensions - Inches | | | | | | | | | |
|---|------------|------|------|--------|------------|------|------|----------------|------|
| Part no. | Trade size | O.D. | I.D. | Length | Slip joint | | | Threaded joint | |
| | | | | | ØA | ØB | C | | D |
| CPL2PVC34-G | ¾" | 1.56 | 0.83 | 2.70 | 1.06 | 1.05 | 0.76 | | 0.76 |
| CPL2PVC1-G | 1" | 1.88 | 1.05 | 3.05 | 1.33 | 1.31 | 0.91 | | 0.90 |
| CPL2PVC112-G | 1½" | 2.50 | 1.61 | 3.93 | 1.92 | 1.89 | 1.09 | | 1.00 |
| CPL2PVC2-G | 2" | 3.06 | 2.06 | 4.43 | 2.39 | 2.37 | 1.15 | | 1.00 |
| CPL2PVC212-G | 2 ½" | 3.63 | 2.45 | 5.08 | 2.89 | 2.87 | 1.71 | | 1.12 |
| CPL2PVC3-G | 3" | 4.50 | 3.00 | 5.27 | 3.52 | 3.49 | 1.83 | | 1.00 |
| CPL2PVC4-G | 4" | 5.50 | 4.00 | 5.39 | 4.52 | 4.49 | 1.78 | | 1.06 |

Note: Product must be installed in accordance with applicable national and local electrical codes.



electrification.us.abb.com (US/LATAM)
tnb.ca.abb.com (Canada)
abb.com

We reserve the right to make technical changes or modify the contents of this document without prior notice. With regard to purchase orders, the agreed particulars shall prevail. ABB does not accept any responsibility whatsoever for potential errors or possible lack of information in this document.

We reserve all rights in this document and in the subject matter and illustrations contained therein. Any reproduction – in whole or in part – is forbidden without prior written consent of ABB. © 2024 ABB Installation Products Inc. and/or its related companies. All Rights Reserved.

Product search 

