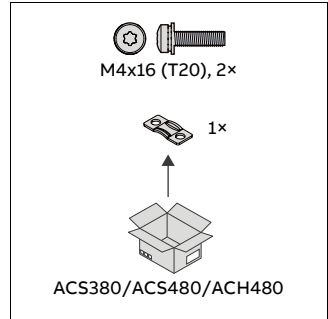
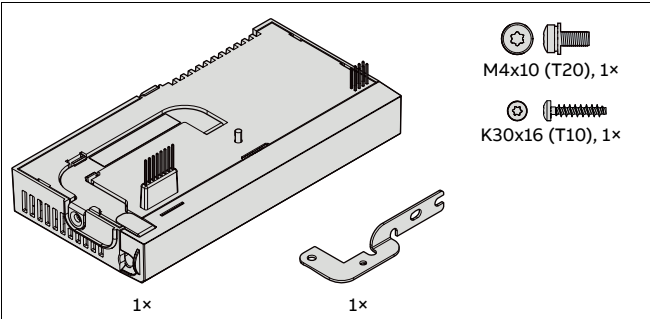


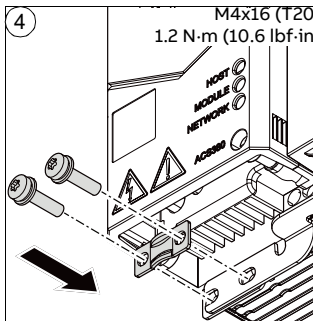
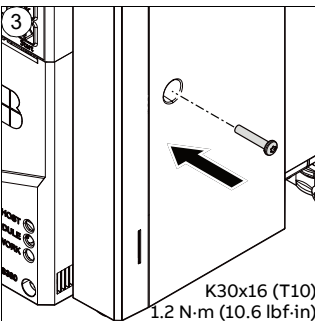
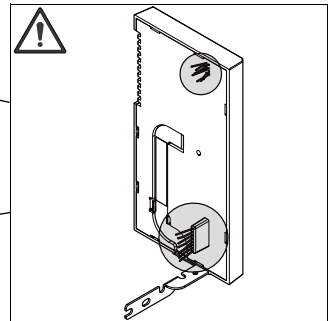
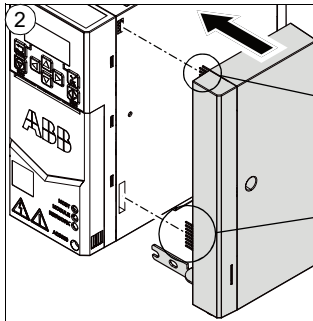
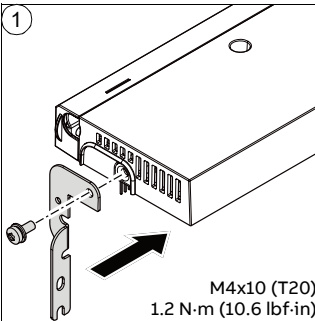
OPTIONS FOR ABB DRIVES

BAPO, BREL, and BTAC modules

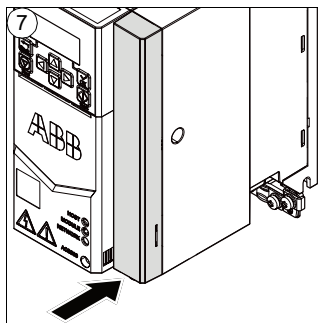
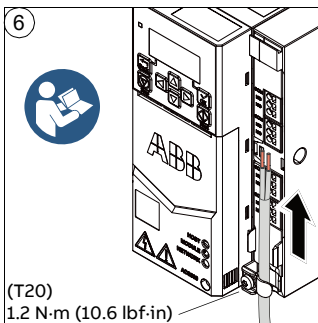
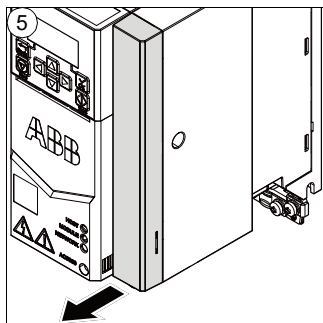
Quick installation guide



BAPO-01, BREL-01, BTAC-02



BREL-01, BTAC-02



ACS380 hardware manual

DA	3AXD50000221103
DE	3AXD50000036223
EN	3AXD50000029274
ES	3AXD50000041407
FI	3AXD50000041408
FR	3AXD50000036224
IT	3AXD50000221417
NL	3AXD50000221424
PL	3AXD50000043464
PT	3AXD50000221431
RU	3AXD50000221448
SV	3AXD50000041409
TR	3AXD50000221455
ZH	3AXD50000041410



ACS480 hardware manual

DA	3AXD50000123995
DE	3AXD50000124008
EN	3AXD50000047392
ES	3AXD50000124411
FI	3AXD50000124428
FR	3AXD50000124435
IT	3AXD50000124442
NL	3AXD50000124459
PL	3AXD50000273423
PT	3AXD50000124466
RU	3AXD50000124473
SV	3AXD50000124480
TR	3AXD50000124497



ACH480 hardware manual

DA	3AXD50000418961
DE	3AXD50000418978
EN	3AXD50000245949
ES	3AXD50000418985
FI	3AXD50000418992
FR	3AXD50000419005
IT	3AXD50000419128
NL	3AXD50000419111
PL	3AXD50000419135
PT	3AXD50000419142
RU	3AXD50000419159
SV	3AXD50000419166



abb.com/drives

© Copyright 2021 ABB. All rights reserved.
3AXD50000837946 Rev A 2021-11-19
Original instructions



3AXD50000837946A