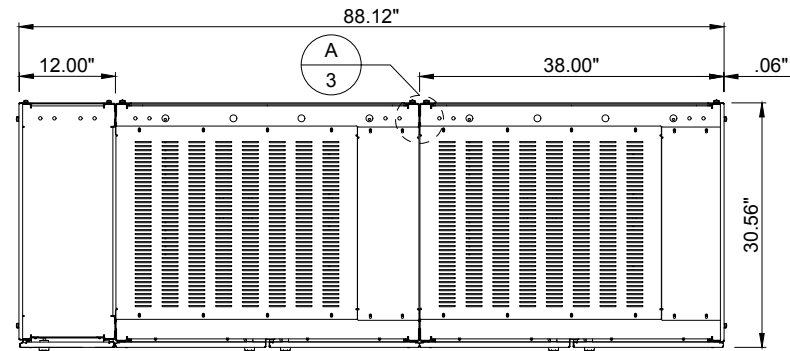
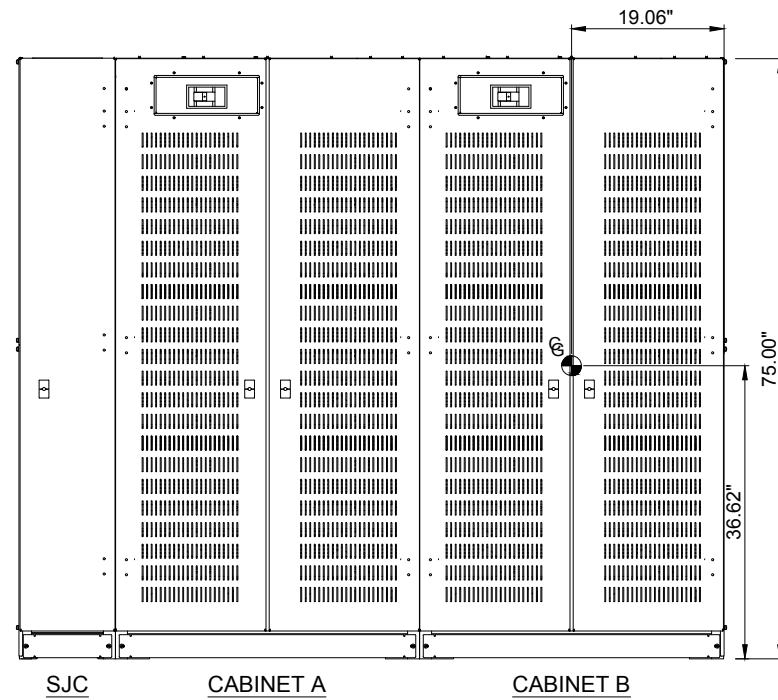


CAUTION: HIGH VOLTAGE, RISK OF ELECTRICAL SHOCK

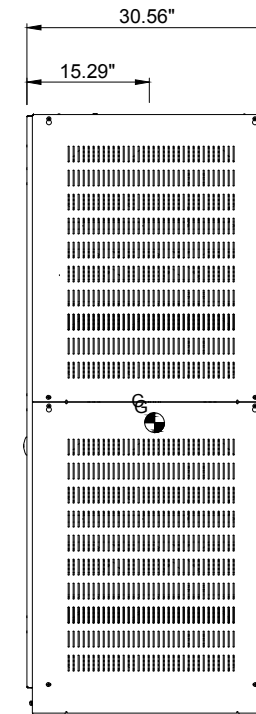
- FOLLOW ALL SAFETY PRECAUTIONS WHEN WORKING ON THIS SYSTEM
- ALWAYS WEAR PROPER SAFETY EQUIPMENT INCLUDING EYE PROTECTION



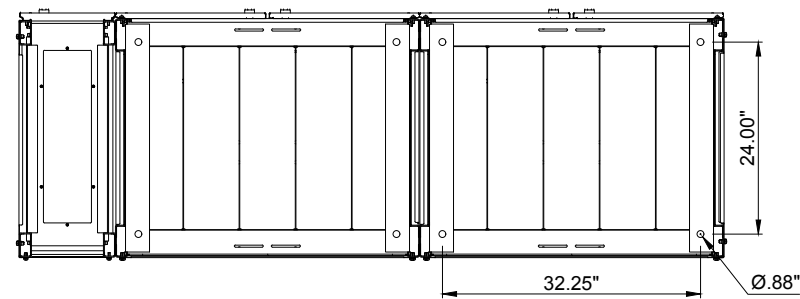
TOP VIEW



FRONT VIEW



SIDE VIEW



BOTTOM VIEW

DRAWING	UPS RATING	
CONFIGURATION	400kVA	
CODE	BREAKER	WIRE
301	600A	2 x 2/0

THE INFORMATION CONTAINED IN THIS DRAWING IS THE SOLE PROPERTY OF INTRAPACK INDUSTRIES INC. ANY REPRODUCTION IN PART OR WHOLE WITHOUT THE WRITTEN PERMISSION OF INTRAPACK INDUSTRIES INC. IS PROHIBITED.

NO.	DATE	REVISION DESCRIPTION



DESIGNED AND MANUFACTURED BY INTRAPACK FOR
ABB © INTRAPACK 2021

SYSTEM WEIGHT: 1,350 lbs NO BATTERIES

JOB NO.	N/A	DATE:	03/02/2021
QUOTE NO.	N/A	DRAWN BY:	VZ
SCALE:	N.T.S.	APPR. BY:	

ADJACENT REMOTE TOP TERMINAL BATTERY
CABINET SYSTEM - CONFIG #301

DRAWING NO.
TLE5-8012V-480-2-2D600-AR-SJC-CONFIG#301

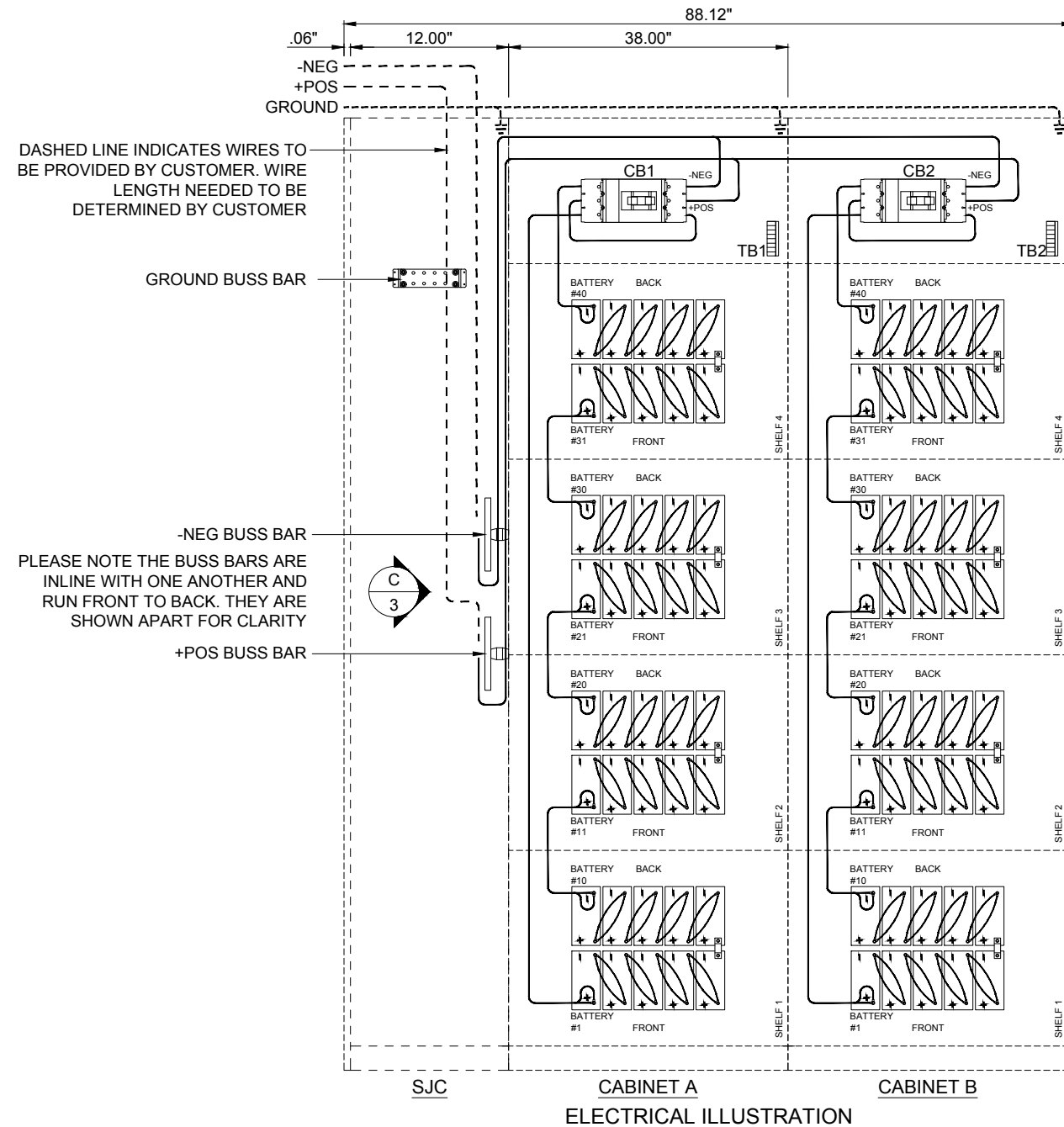
POSITIONING OF COMPONENTS ARE FOR ILLUSTRATION PURPOSES AND MAY NOT BE REPRESENTED IN THE EXACT LOCATION INDICATED.

CAUTION: HIGH VOLTAGE, RISK OF ELECTRICAL SHOCK

- FOLLOW ALL SAFETY PRECAUTIONS WHEN WORKING ON THIS SYSTEM
- ALWAYS WEAR PROPER SAFETY EQUIPMENT INCLUDING EYE PROTECTION

GENERAL NOTES:

- ONLY QUALIFIED TECHNICIANS SHOULD PERFORM INSTALLATION OR MAINTENANCE OF THIS BATTERY SYSTEM.
- ALL TOOLS SHOULD BE INSULATED TO PREVENT ELECTRICAL SHOCK.
- OPEN DISCONNECTS BEFORE INSTALLATION OR MAINTENANCE.
- CHECK DC VOLTAGE AT BATTERY OUTPUT AND UPS OUTPUT TO ENSURE PROPER POLARITY BEFORE MAKING FINAL CONNECTIONS.



THE INFORMATION CONTAINED IN THIS DRAWING IS THE SOLE PROPERTY OF INTRAPACK INDUSTRIES INC. ANY REPRODUCTION IN PART OR WHOLE WITHOUT THE WRITTEN PERMISSION OF INTRAPACK INDUSTRIES INC. IS PROHIBITED.

NO.	DATE	REVISION DESCRIPTION

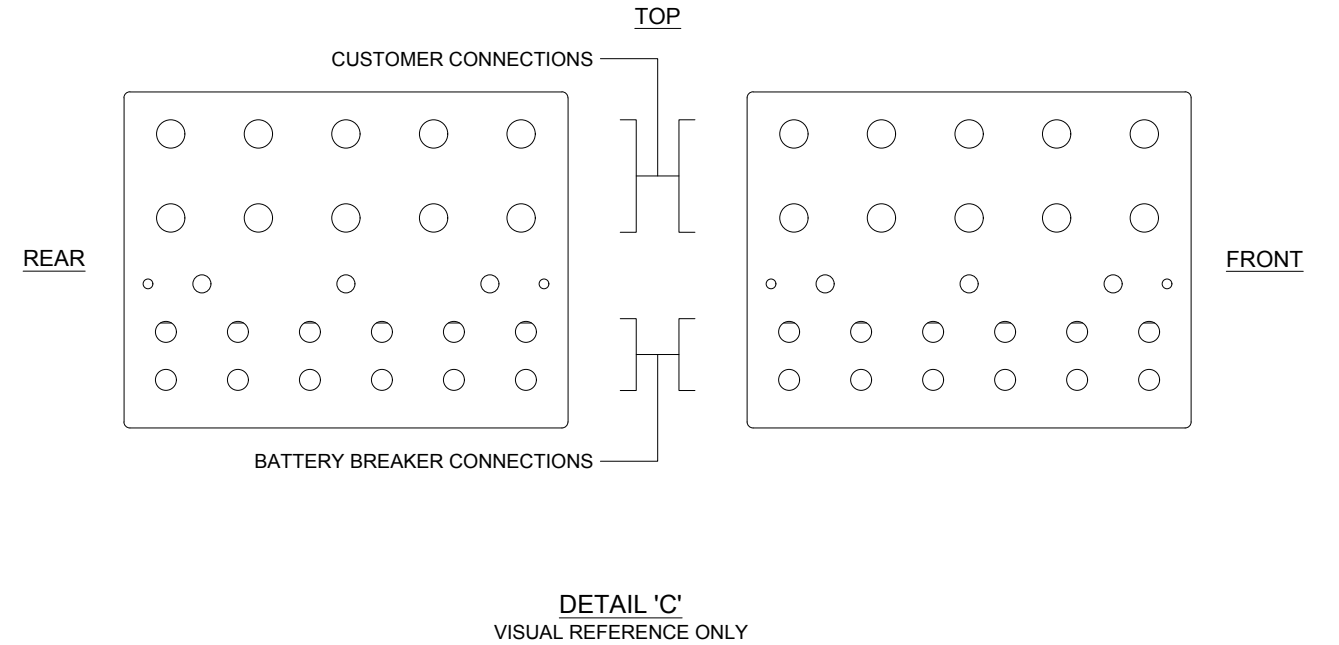
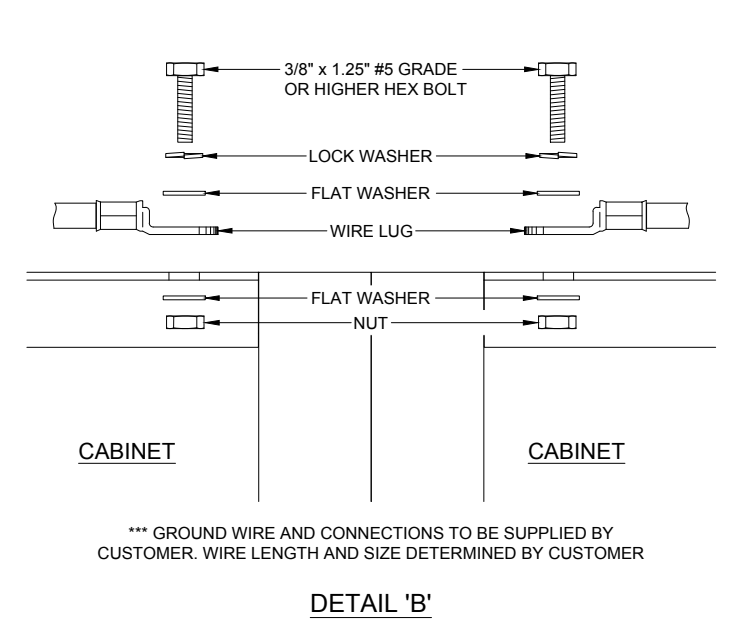
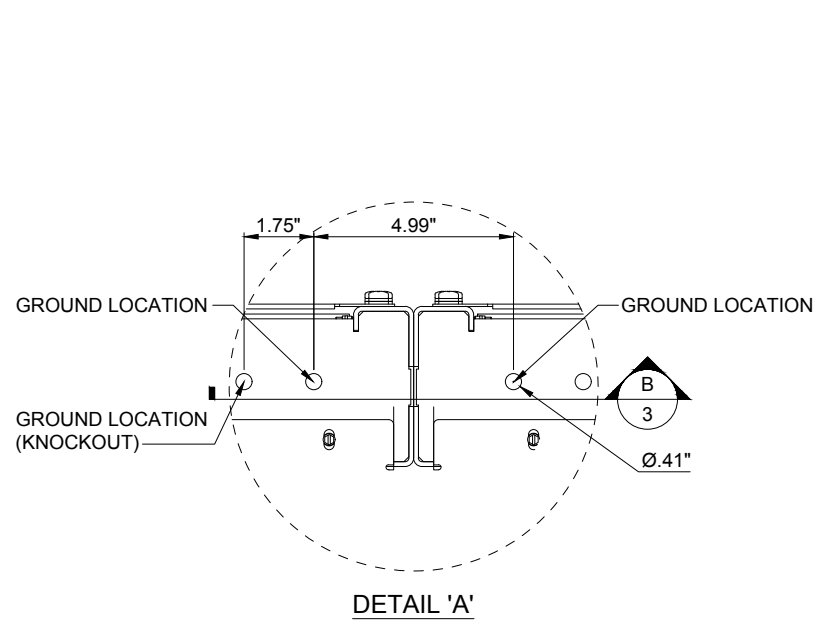
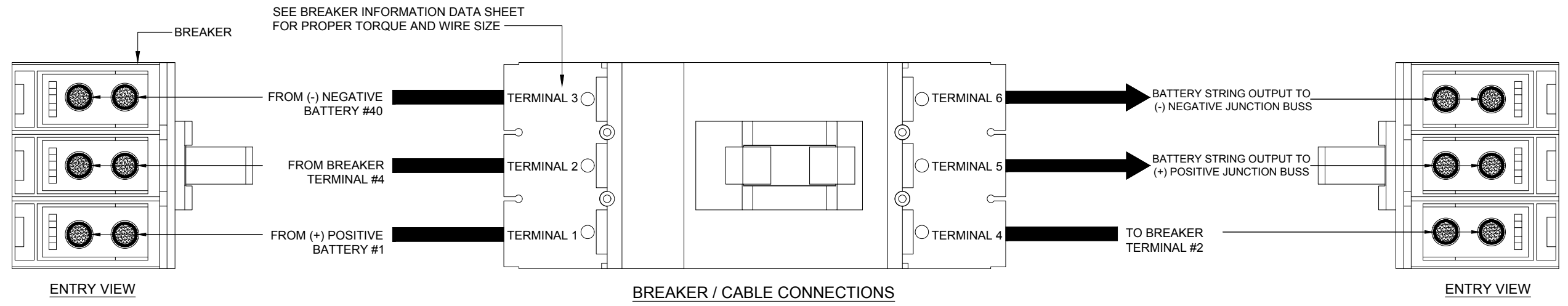
ABB
 DESIGNED AND MANUFACTURED BY INTRAPACK FOR
 ABB © INTRAPACK 2021

SYSTEM WEIGHT: 1,350 lbs NO BATTERIES			
JOB NO.	N/A	DATE:	03/02/2021
QUOTE NO.	N/A	DRAWN BY:	VZ
SCALE:	N.T.S.	APPR. BY:	

ADJACENT REMOTE TOP TERMINAL BATTERY
 CABINET SYSTEM - CONFIG #301
 DRAWING NO.
 TLE5-8012V-480-2-2D600-AR-SJC-CONFIG#301

CAUTION: HIGH VOLTAGE, RISK OF ELECTRICAL SHOCK

- FOLLOW ALL SAFETY PRECAUTIONS WHEN WORKING ON THIS SYSTEM
- ALWAYS WEAR PROPER SAFETY EQUIPMENT INCLUDING EYE PROTECTION



THE INFORMATION CONTAINED IN THIS DRAWING IS THE SOLE PROPERTY OF INTRAPACK INDUSTRIES INC. ANY REPRODUCTION IN PART OR WHOLE WITHOUT THE WRITTEN PERMISSION OF INTRAPACK INDUSTRIES INC. IS PROHIBITED.

NO.	DATE	REVISION DESCRIPTION

DESIGNED AND MANUFACTURED BY INTRAPACK FOR
ABB © INTRAPACK 2021

SYSTEM WEIGHT: 1,350 lbs NO BATTERIES			
JOB NO.	N/A	DATE:	03/02/2021
QUOTE NO.	N/A	DRAWN BY:	VZ
SCALE:	N.T.S.	APPR. BY:	

ADJACENT REMOTE TOP TERMINAL BATTERY
CABINET SYSTEM - CONFIG #301

DRAWING NO.
TLE5-8012V-480-2-2D600-AR-SJC-CONFIG#301

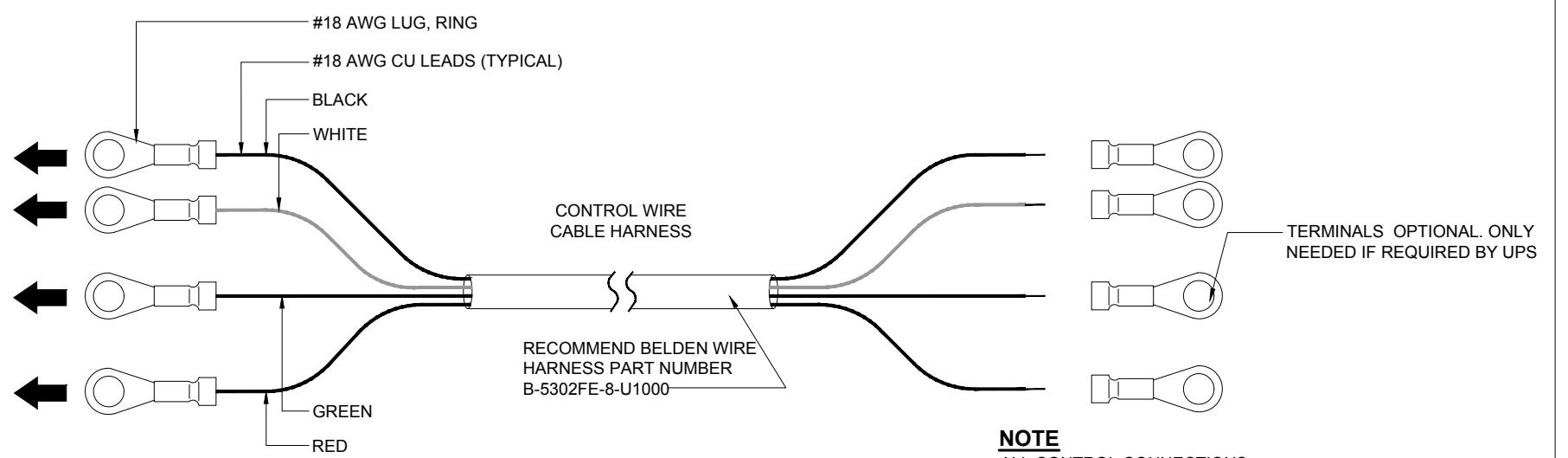
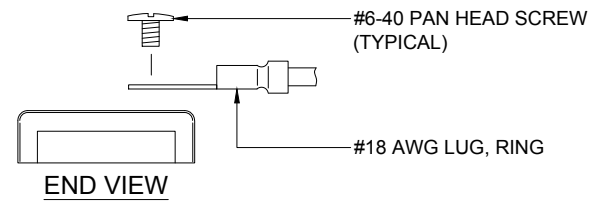
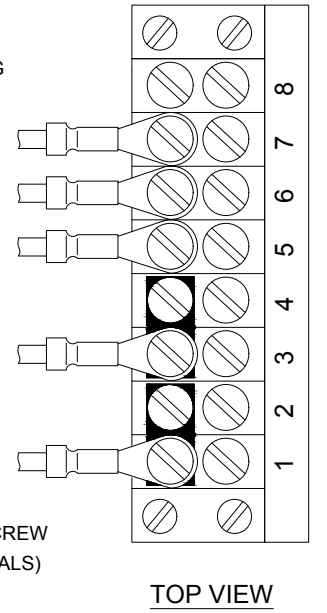
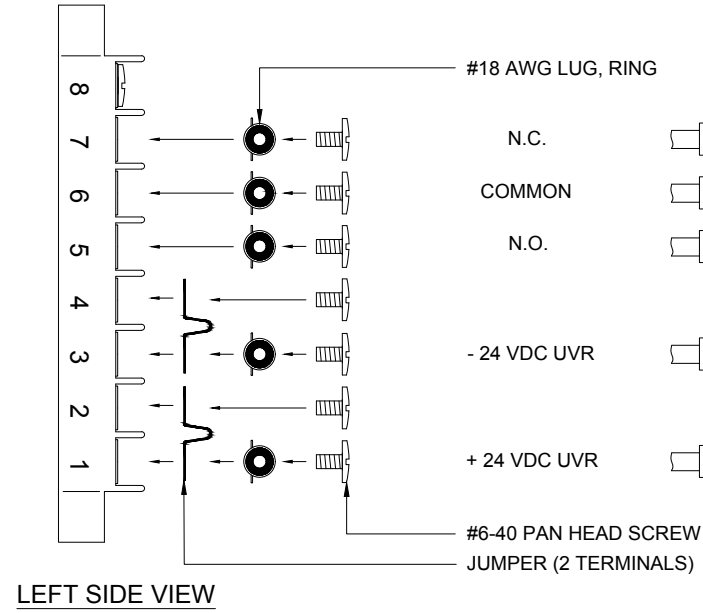
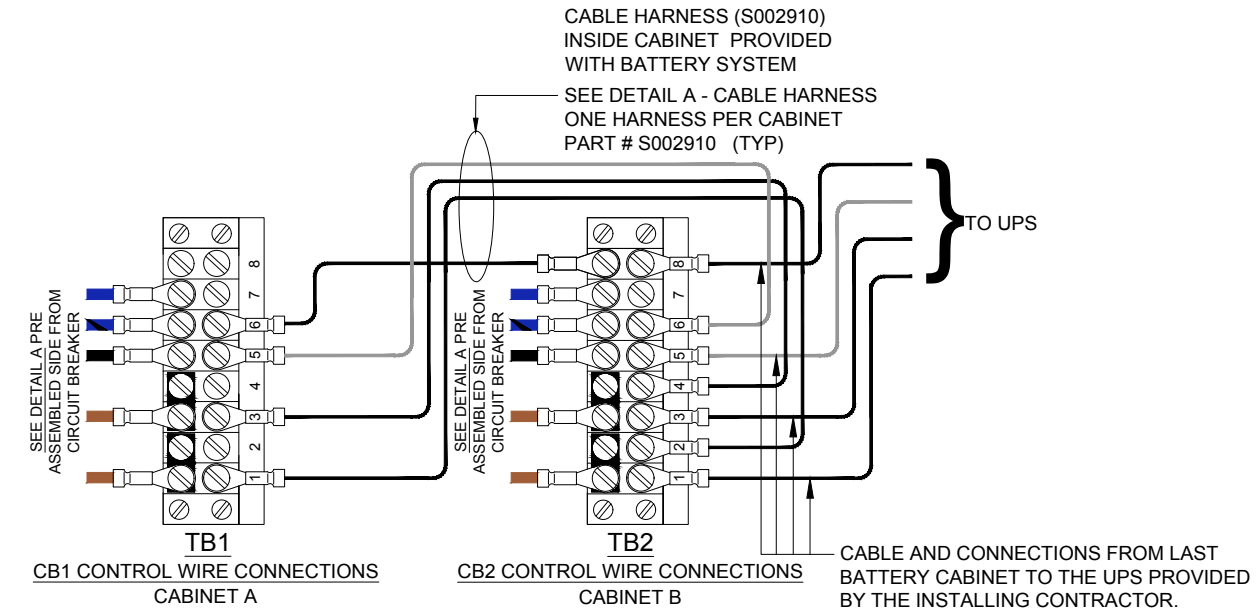
3
OF
4

ADJACENT BATTERY CABINET SYSTEM:
 ALL CABLE HARNESSSES ARE PROVIDED IN BOTH THE BATTERY CABINET TO BATTERY CABINET CONNECTION INCLUDING THE BATTERY CABINET CABLE HARNESS TO THE UPS.

ADJACENT REMOTE BATTERY CABINET SYSTEM:
 ALL CABLE HARNESSSES FROM BATTERY CABINET TO BATTERY CABINET WILL BE PROVIDED. THE BATTERY CABINET TO UPS CABLE HARNESS WILL BE PROVIDED BY THE INSTALLING CONTRACTOR.

REMOTE BATTERY CABINET SYSTEM:
 ALL CABLE HARNESSSES FROM BATTERY CABINET TO BATTERY CABINET AND BATTERY CABINET TO UPS WILL BE PROVIDED BY THE INSTALLING CONTRACTOR.

CONTROL WIRING ROUTING



DETAIL A
CONTROL WIRING DETAIL
 24 VDC UNDERVOLTAGE (UVR) TRIP AND 2A/2B AUXILIARY CONTACTS

NOTE
 ALL CONTROL CONNECTIONS ARE MADE BY ONSITE INSTALLATION CONTRACTOR (TYPICAL)

THE INFORMATION CONTAINED IN THIS DRAWING IS THE SOLE PROPERTY OF INTRAPACK INDUSTRIES INC. ANY REPRODUCTION IN PART OR WHOLE WITHOUT THE WRITTEN PERMISSION OF INTRAPACK INDUSTRIES INC. IS PROHIBITED.

NO.	DATE	REVISION DESCRIPTION

ABB
 DESIGNED AND MANUFACTURED BY INTRAPACK FOR
 ABB © INTRAPACK 2021

SYSTEM WEIGHT: 1,350 lbs NO BATTERIES			
JOB NO.	N/A	DATE:	03/02/2021
QUOTE NO.	N/A	DRAWN BY:	VZ
SCALE:	N.T.S.	APPR. BY:	

ADJACENT REMOTE TOP TERMINAL BATTERY CABINET SYSTEM - CONFIG #301

DRAWING NO.
 TLE5-8012V-480-2-2D600-AR-SJC-CONFIG#301