

Product Update

Document Number: 9AKK108469A9619, Rev A	Issue Date: 8/15/2024
Modular Metering Global Product Manager: Adam Busocker	Products Impacted: Ringless Modular Metering (See list of Materials below)
R&D Manager: Heather LeBlanc	Impact to Form/Fit/Function: None

Dear Customer,

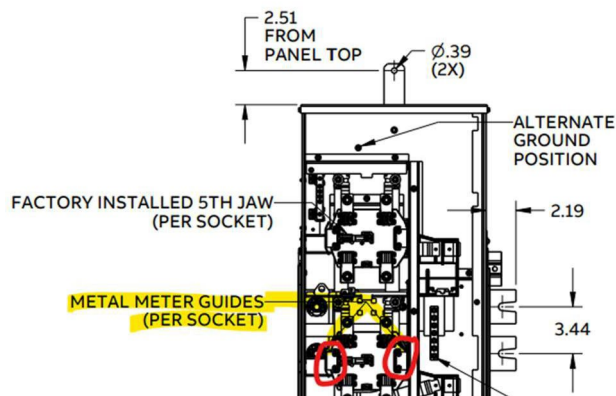
The purpose of this communication is to inform you about a drawing update for the following ReliaMod Modular Metering – Ringless drawings. **No current product changes are occurring, but the nomenclature to describe a particular design feature will change.**

Description of condition:

Outline drawings for Ringless ReliaMod Modular Metering products can be found in the BuyLog-Section 2, EMPOWER, and the ABB library. The drawings point to the “Metal Meter Support Bracket”, but refer to these items as “Metal Meter Guides”.

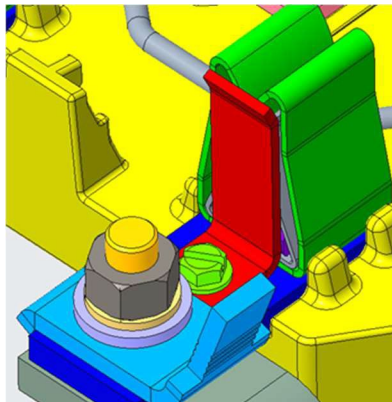
FRONT VIEW

Example drawing 1 :



The phrase “metal meter guide” commonly describes a piece of metal that is set very close to the jaws of a meter socket (See the Red object in the Example Drawing 2). Certain utilities may specify these items to further guide the placement of the watt-hour meter blades into the socket jaws prior to meter cover installation.

Example Drawing 2:



List of SKUs/Material Numbers impacted:

Socket amps	Application	Tenant breaker provision kAIC	No. of sockets	Ringless type socket (5 jaw socket standard)	Ringless type socket horn bypass (5 jaw socket standard)		
125	1-Phase in, 1-Phase out	10,22	2	RMS18212LRLR	RMS18212LHBR		
			3	RMS18312LRLR	RMS18312LHBR		
			4	RMS18412LRLR	RMS18412LHBR		
			5	RMS18512LRLR	RMS18512LHBR		
			6	RMS18612LRLR	RMS18612LHBR		
			2	RMS18212HRLR	RMS18212HHBR		
		3	RMS18312HRLR	RMS18312HHBR			
		4	RMS18412HRLR	RMS18412HHBR			
		5	RMS18512HRLR	RMS18512HHBR			
		6	RMS18612HRLR	RMS18612HHBR			
	42,50,65,100	3-Phase in, 1-Phase out	10,22	2	RMS28212LRLR	RMS28212LHBR	
				3	RMS28312LRLR	RMS28312LHBR	
				4	RMS28412LRLR	RMS28412LHBR	
				5	RMS28512LRLR	RMS28512LHBR	
			6	RMS28612LRLR	RMS28612LHBR		
			42,50,65,100		2	RMS28212HRLR	RMS28212HHBR
					3	RMS28312HRLR	RMS28312HHBR
					4	RMS28412HRLR	RMS28412HHBR
5	RMS28512HRLR	RMS28512HHBR					
6	RMS28612HRLR	RMS28612HHBR					

Residential meter stacks: 225A sockets with 800A cross bus

Socket amps	Application	Tenant breaker provision kAIC	No. of sockets	Ringless type socket (5 jaw socket standard)	Ringless type socket horn bypass (5 jaw socket standard)		
225	1-Phase in, 1-Phase out	10,22	2	RMS18222LRLR	RMS18222LHBR		
			3	RMS18322LRLR	RMS18322LHBR		
			4	RMS18422LRLR	RMS18422LHBR		
			5	RMS18522LRLR	RMS18522LHBR		
			2	RMS18222HRLR	RMS18222HHBR		
		42,50,65,100		3	RMS18322HRLR	RMS18322HHBR	
				4	RMS18422HRLR	RMS18422HHBR	
				5	RMS18522HRLR	RMS18522HHBR	
				2	RMS28222LRLR	RMS28222LHBR	
				3	RMS28322LRLR	RMS28322LHBR	
	3-Phase in, 1-Phase out		10,22	4	RMS28422LRLR	RMS28422LHBR	
				5	RMS28522LRLR	RMS28522LHBR	
				2	RMS28222HRLR	RMS28222HHBR	
			42,50,65,100		3	RMS28322HRLR	RMS28322HHBR
					4	RMS28422HRLR	RMS28422HHBR
5	RMS28522HRLR	RMS28522HHBR					

List of SKUs/Material Numbers impacted

Socket amps	Application	Tenant breaker provision kAIC	No. of sockets	Ringless type socket (5 jaw socket standard)	Ringless type socket horn bypass (5 jaw socket standard)	
125	1-Phase in, 1-Phase out	10,22	2	RMS112212LRLR	RMS112212LHBR	
			3	RMS112312LRLR	RMS112312LHBR	
			4	RMS112412LRLR	RMS112412LHBR	
			5	RMS112512LRLR	RMS112512LHBR	
			6	RMS112612LRLR	RMS112612LHBR	
			6	RMS112612HRLR	RMS112612HHBR	
	42,50,65,100			2	RMS112212HRLR	RMS112212HHBR
				3	RMS112312HRLR	RMS112312HHBR
				4	RMS112412HRLR	RMS112412HHBR
				5	RMS112512HRLR	RMS112512HHBR
				6	RMS112612HRLR	RMS112612HHBR
				6	RMS112612HRLR	RMS112612HHBR
	3-Phase in, 1-Phase out	10,22		2	RMS212212LRLR	RMS212212LHBR
				3	RMS212312LRLR	RMS212312LHBR
				4	RMS212412LRLR	RMS212412LHBR
				5	RMS212512LRLR	RMS212512LHBR
				6	RMS212612LRLR	RMS212612LHBR
				6	RMS212612HRLR	RMS212612HHBR
42,50,65,100				2	RMS212212HRLR	RMS212212HHBR
				3	RMS212312HRLR	RMS212312HHBR
				4	RMS212412HRLR	RMS212412HHBR
				5	RMS212512HRLR	RMS212512HHBR
				6	RMS212612HRLR	RMS212612HHBR
				6	RMS212612HRLR	RMS212612HHBR

Residential meter stacks: 225A sockets with 1200A cross bus

Socket amps	Application	Tenant breaker provision kAIC	No. of sockets	Ringless type socket (5 jaw socket standard)	Ringless type socket horn bypass (5 jaw socket standard)	
225	1-Phase in, 1-Phase out	10,22	2	RMS112222LRLR	RMS112222LHBR	
			3	RMS112322LRLR	RMS112322LHBR	
			4	RMS112422LRLR	RMS112422LHBR	
			5	RMS112522LRLR	RMS112522LHBR	
			2	RMS112222HRLR	RMS112222HHBR	
			3	RMS112322HRLR	RMS112322HHBR	
	42,50,65,100			4	RMS112422HRLR	RMS112422HHBR
				5	RMS112522HRLR	RMS112522HHBR
				2	RMS212222LRLR	RMS212222LHBR
				3	RMS212322LRLR	RMS212322LHBR
				4	RMS212422LRLR	RMS212422LHBR
				5	RMS212522LRLR	RMS212522LHBR
	3-Phase in, 1-Phase out	10,22		2	RMS212222HRLR	RMS212222HHBR
				3	RMS212322HRLR	RMS212322HHBR
				4	RMS212422HRLR	RMS212422HHBR
				5	RMS212522HRLR	RMS212522HHBR
				2	RMS212222HRLR	RMS212222HHBR
				3	RMS212322HRLR	RMS212322HHBR
42,50,65,100			4	RMS212422HRLR	RMS212422HHBR	
			5	RMS212522HRLR	RMS212522HHBR	
			5	RMS212522HRLR	RMS212522HHBR	

Corrective Actions:

1. Update ReliaMod Modular Metering – Ringless only drawings. Remove the words and arrows (in yellow highlight) from the Example Drawing 1 drawing.
2. The new outline drawings shall include a reference to a metal meter guide kit (RMMETALMETERGUIDE), for customers who request the kit .
3. Upload the new drawings to EMPOWER and the ABB Library.

For additional questions or comments please contact the Global Product Manager or the R&D Manager.

Thank you,

Adam J. Busocker
 Global Product Manager, Modular Metering
 ABB Electrification, Smart Buildings
 Mobile: +1 919 457 7562
 Email: adam.busocker@us.abb.com