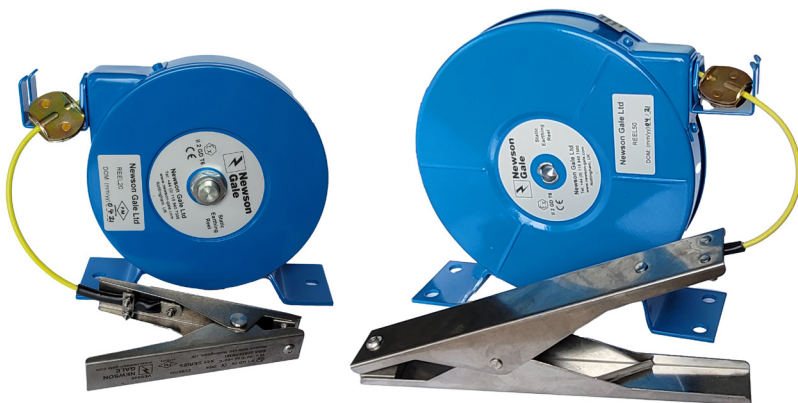


Static discharge reels

Enabling fast, high integrity static earth connections



Recommended for earthing/ bonding of containers, drums, kegs, tanks, mobile tankers or other mobile/portable equipment.

Certifications / Standards:



Conforms to:

- Reel certification - ATEX Ex II 2 GD T6
- Clamp certification - ATEX Ex II 1 GD T6

Cable reel

Built with a spring-operated, self-retracting cable reel, ensuring cables do not become tangled, damaged or present a tripping hazard whilst not in use. It also has an instant lock mechanism, allowing the cable to be stopped at the required working length. The cable is of multicore galvanised steel with yellow Hytrel coating. The cable housing is of fully cross bonded steel housing with a hard wearing polyester paint finish.

Clamp

A heavy duty, stainless steel clamp with tungsten carbide contact teeth. Allows a reliable connection to be made even through paint, dirt, grease and accumulated product.



Note: For safe use of static discharge reels, only wall mount, install and operate as directed in the instructions.

Installation

Mount the reel securely, in the vertical plane. To minimise wear on cable, and for best results, reel should be mounted in direct line with the work so that the cable is pulled out as straight as possible during use - avoid pulling the cable out of the reel at an angle. Ensure reel housing is securely connected to a static dissipation earth. The two mounting feet have a bare metal surface underneath that will assist earthing. It is also good practice to secure the reel to a wall or metal work with bolt(s) fitted with a serrated washer that will bite through the paint surface into the metal making a good connection. Always have an electrician check the static dissipative earth connection and cable reel after installation and before use.

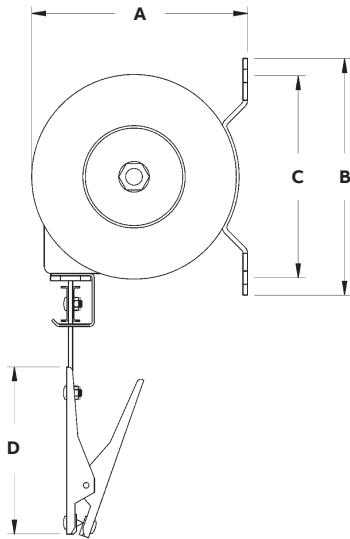
Operation & maintenance

Take the metal cable stop and cable from the integral stowage clip. Pull the earthing clamp and cable slowly out of the reel to the desired position and let it retract SLOWLY until the lock engages. To release lock, quickly pull cable out a short distance and allow it to begin to retract. DO NOT allow the cable to retract in an uncontrolled manner. Always walk the clamp and cable back into the reel and place metal cable stop into the stowage clip. Failure to do so can result in damage to the reel or personal injury. Reel is factory lubricated for life, no additional lubrication is required. Periodically check the cable for wear.

Part numbers and dimensions

Part no.	ABB order code	Dimensions (mm)				Cable length (m)	Clamp jaw opening (mm)	Weight (kg)
		A	B	C	D			
SK030	7TCA083750R0018	155	170	145	120	6.1	0 - 12	3
SK040	7TCA083750R0019	200	220	200	235	15.2	0 - 46	6

SK030
Dimensions



SK040
Dimensions

