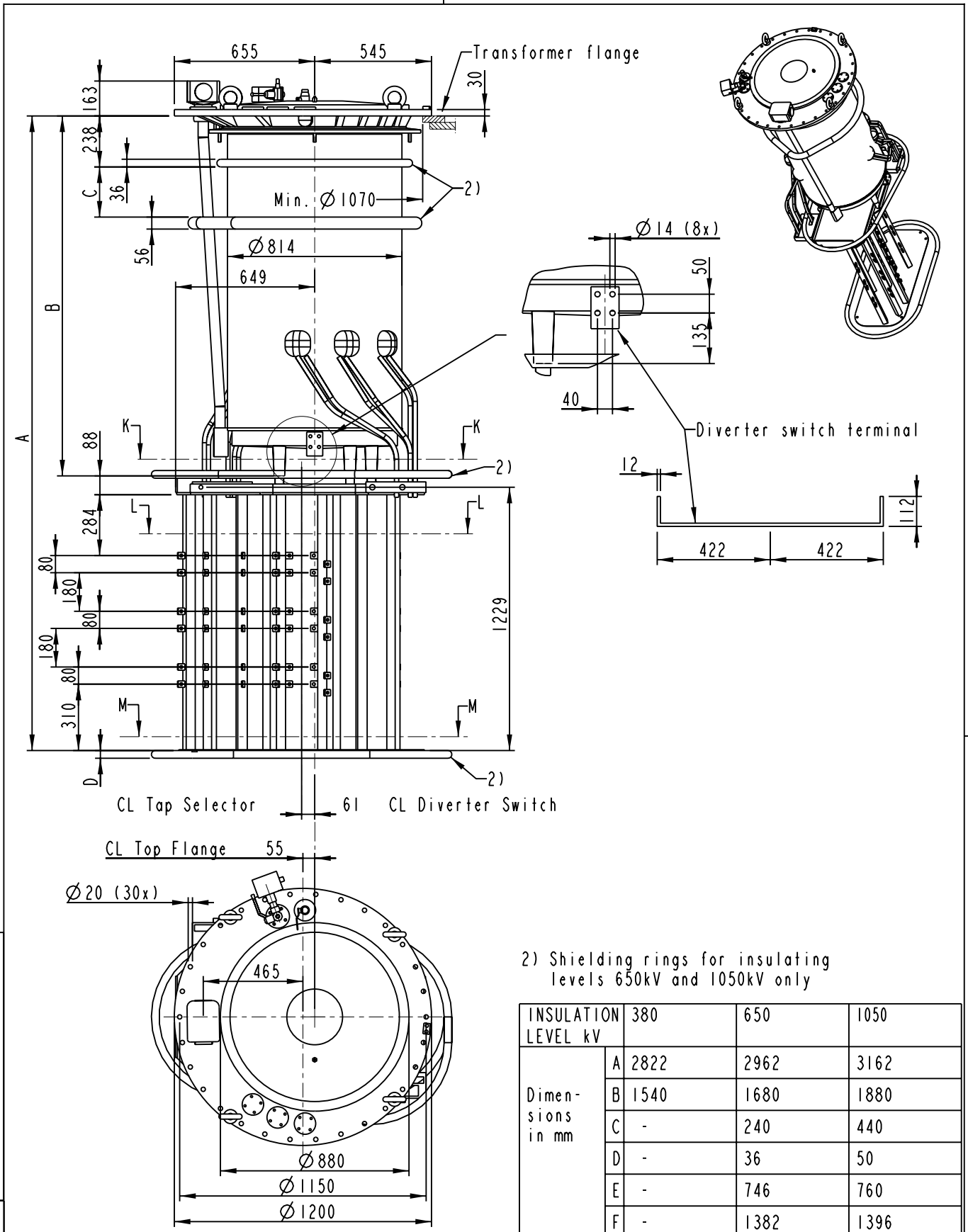


We reserve all rights in this document and in the information contained therein. Reproduction, use or disclosure to third parties without express authority is strictly forbidden. © ABB



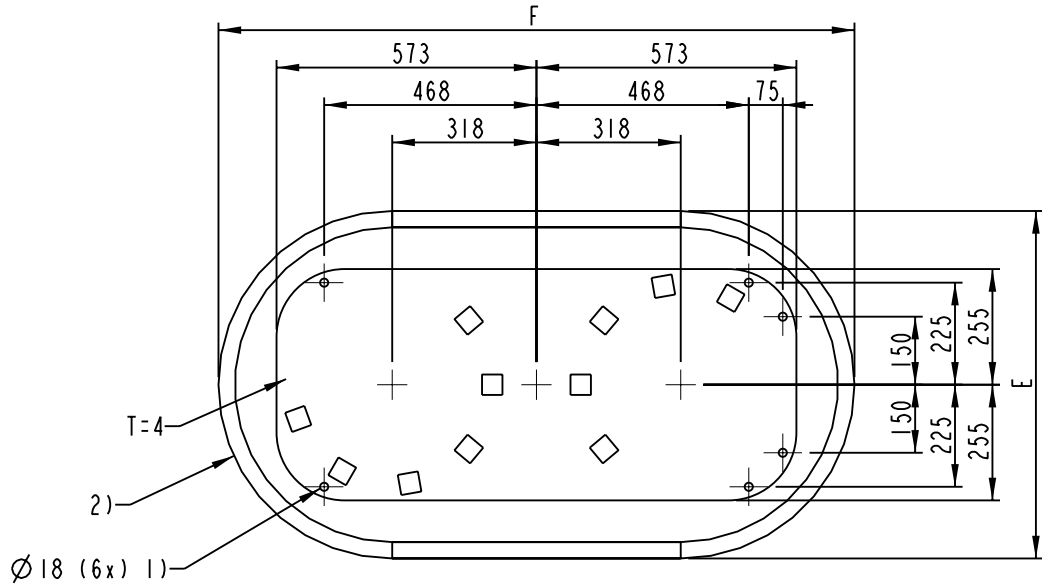
2) Shielding rings for insulating levels 650kV and 1050kV only

INSULATION LEVEL kV	380	650	1050
A	2822	2962	3162
B	1540	1680	1880
C	-	240	440
D	-	36	50
E	-	746	760
F	-	1382	1396

Inspection engineering review
 Design engineering review
 Production engineering review

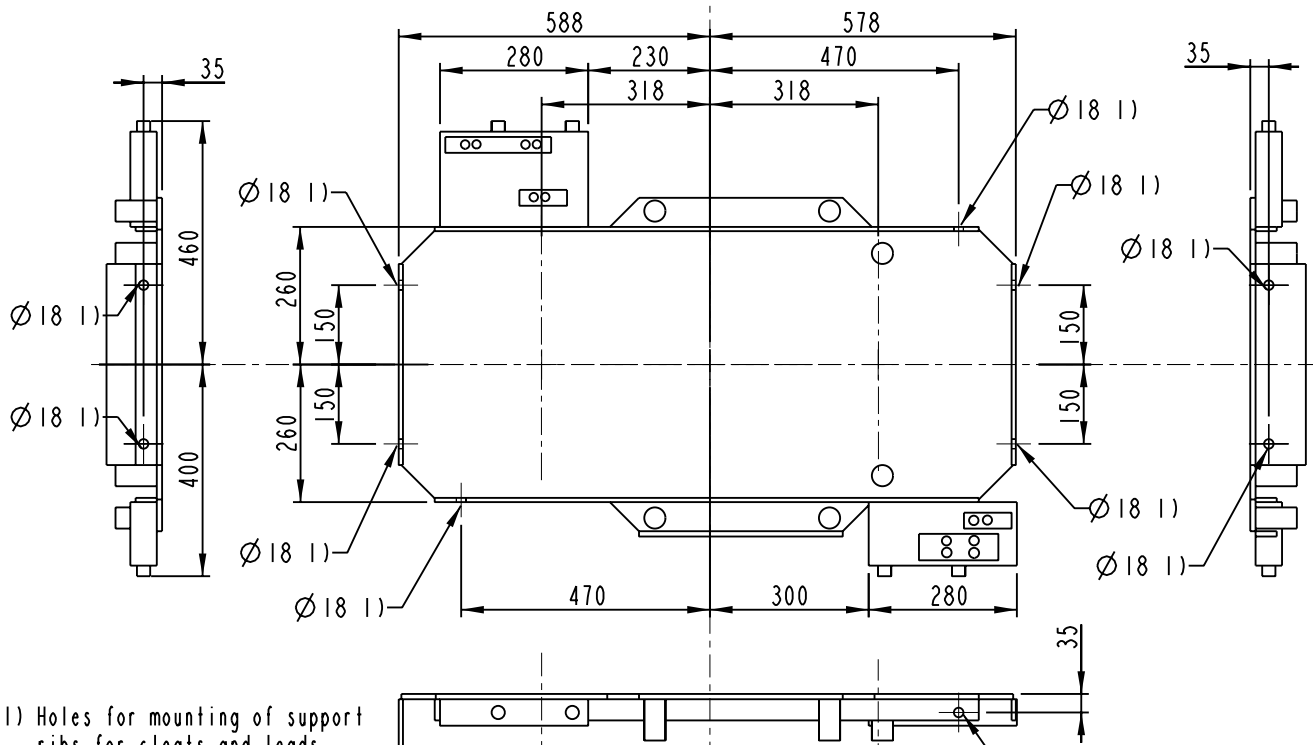
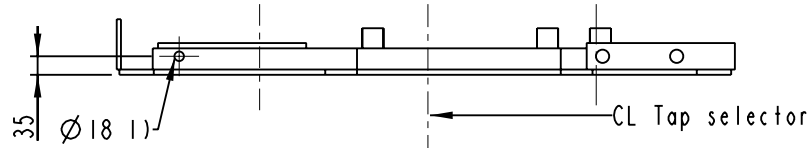
Based on	Reg. No.	Title TAP-CHANGER UCC UCCLN XXXX/800, 1200 UCCLE XXXX/3600	 Language en Page 1(4)
Prepared T Sapila 96-11-13	Responsible department COM/TK		
Approved M Eriksson	Take over department		
Revision	Database DIMENSION_DWGS		
ABB Components		Document No. 54920092-1	

Holes for mounting of support ribs for cleats and leads (Shown in section K-K and M-M)



M-M

Values for dim. F and E in table on page 1



1) Holes for mounting of support ribs for cleats and leads

2) Shielding rings for insulating levels 650kV and 1050kV only

K-K

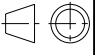

6 Holes Ø18 1)

We reserve all rights in this document and in the information contained therein. Reproduction, use or disclosure to third parties without express authority ABB is strictly forbidden.

Production engineering review

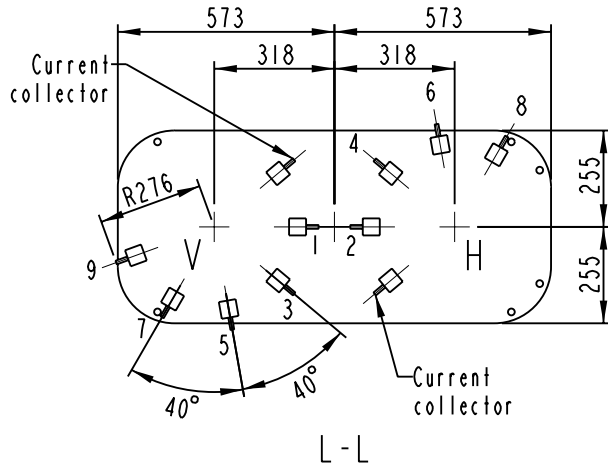
Inspection engineering review

Design engineering review

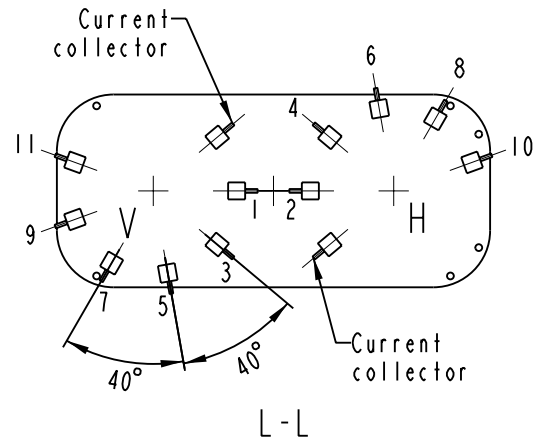
Based on	Reg. No.	Title	
Prepared T Sapila 96-11-13	Responsible department COM/TK	TAP-CHANGER UCC	
Approved M Eriksson	Take over department	UCCLN XXXX/800,1200	Language en
Revision	Database DIMENSION_DWGS	UCCLE XXXX/3600	Page 2(4)
 ABB Components		Document No.	54920092-1

We reserve all rights in this document and in the information contained therein. Reproduction, use or disclosure to third parties without express authority is strictly forbidden.
ABB

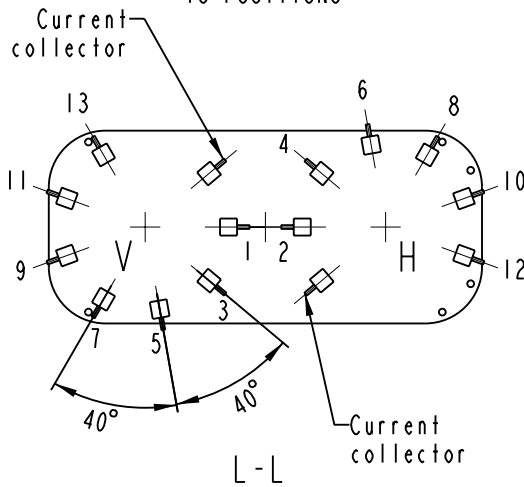
9 POSITIONS



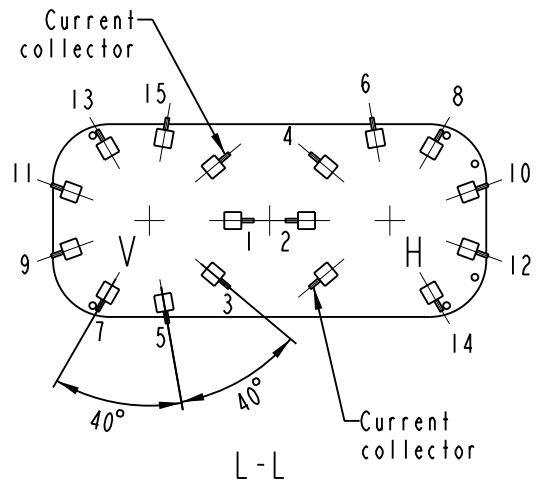
11 POSITIONS



13 POSITIONS





15 POSITIONS



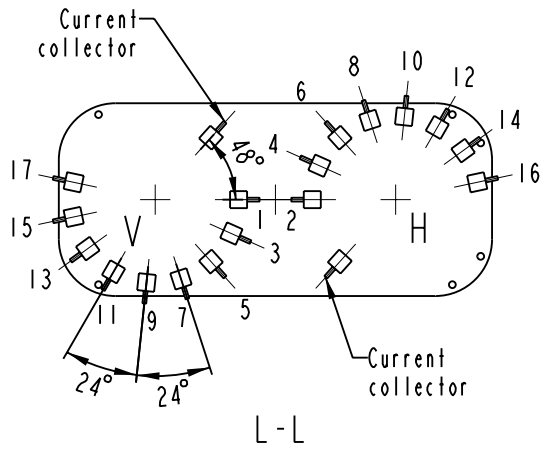
Inspection engineering review

Production engineering review

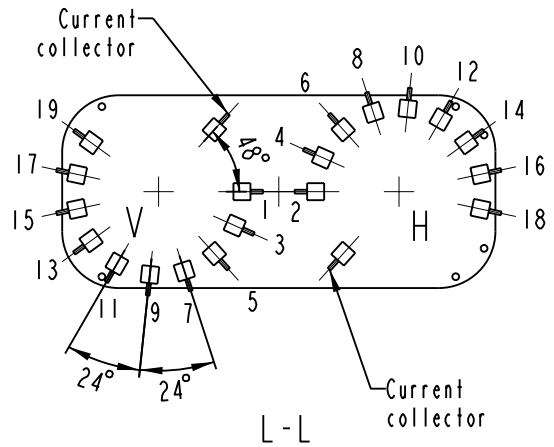
Design engineering review

Based on	Reg. No.	Title	
Prepared T Sapila 96-11-13	Responsible department COM/TK		
Approved M Eriksson	Take over department	UCCLE XXXX/3600	Language en
Revision	Database DIMENSION_DWGS	Document No. 54920092-1	Page 3(4)
 ABB Components			

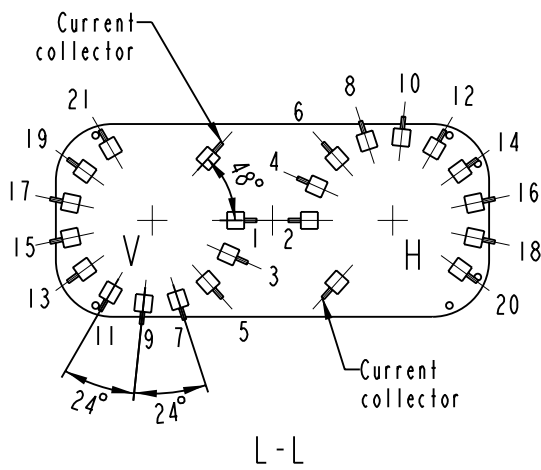
17 POSITIONS



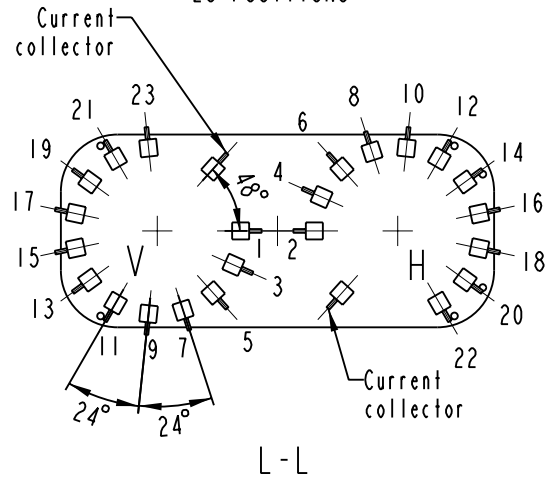
19 POSITIONS



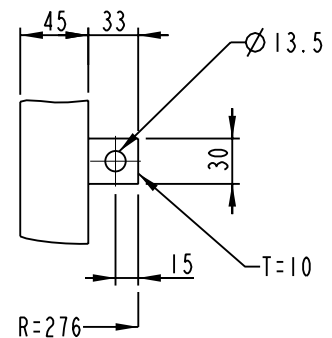
21 POSITIONS



23 POSITIONS



TAP SELECTOR CONTACT



We reserve all rights in this document and in the information contained therein. Reproduction, use or disclosure to third parties without express authority is strictly forbidden. © ABB

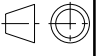

Production engineering review

ADDITIONAL DRAWINGS:

Connection Diagrams: See Technical Guide UC
 Mounting on active part: 54920087-1
 Top Section, Accessories: 54920087-2
 Motor Drive BUE: 54830001-2 or -3
 External Drive Shaft: 54920083-4
 Pressure Relay: 54920083-2
 Bevel Gear: 54920083-1

Inspection engineering review

Design engineering review

Based on	Reg. No.	Title	
Prepared T Sapila 96-11-13	Responsible department COM/TK	TAP-CHANGER UCC	 Language en
Approved M Eriksson	Take over department	UCCLN XXXX/800, 1200	
Revision	Database DIMENSION_DWGS	UCCLE XXXX/3600	
 ABB Components		Document No.	54920092-1