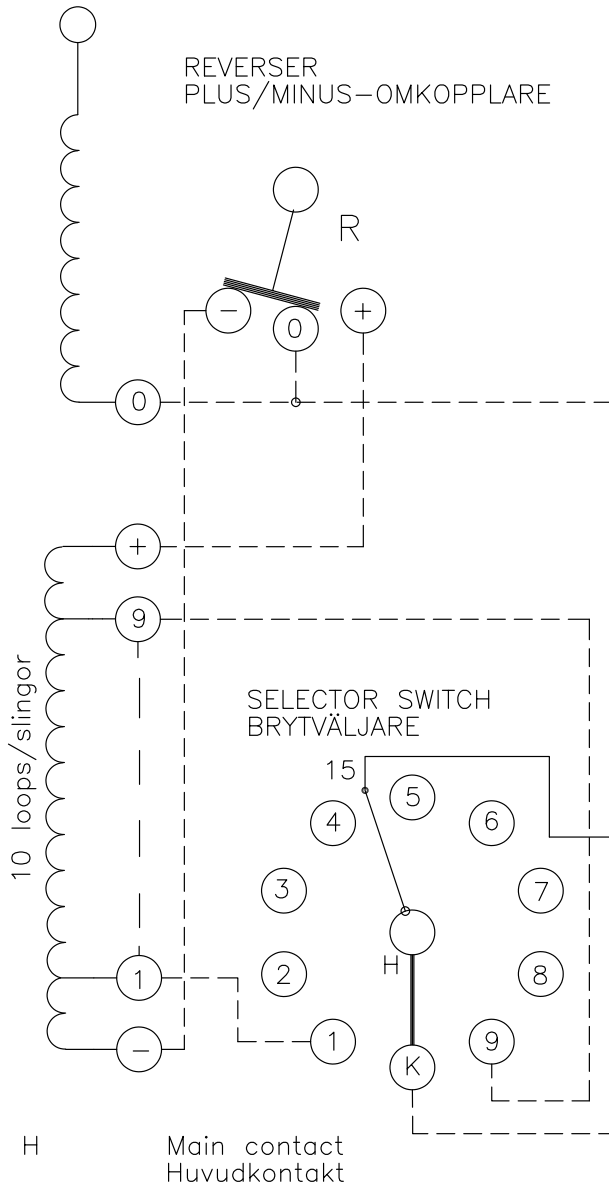


On-load tap-changer type VUBBR, UBBR, 19 tap positions, reverser.
 Min effective No. of turns in pos 1.
 The tap-changer is delivered set in pos 10, the preceding pos. was 9.

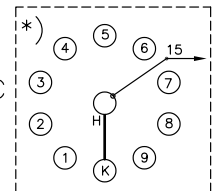
Lindningskopplare typ VUBBR, UBBR, 19 lägen, plus/minus-koppling.
 Min antal effektiva varv i läge 1.
 Lindningskopplaren levereras inställd i läge 10, föregående läge var 9.



We reserve all rights in this document and in the information contained therein. Reproduction, use or disclosure to third parties without express authority is strictly forbidden.
 © ABB '19

Pos Läge	R connects förbinder	H connects förbinder
1		9 - 15
2		8 - 15
3		7 - 15
4		6 - 15
5		5 - 15
6		4 - 15
7	0 -	3 - 15
8		2 - 15
9		1 - 15
10		K - 15
11		9 - 15
12		8 - 15
13		7 - 15
14	0 +	6 - 15
15		5 - 15
16		4 - 15
17		3 - 15
18		2 - 15
19		1 - 15

1) OUTPUT TERMINAL
STRÖMAVTAGNING
 *) FOR VUBB TYPE OF OLTC
I VUBB UTFÖRANDE



1) Internal connections between the terminals 15 of the three phases are included in the star-point type. Dashed lines show in delivery not included leads belonging to cleats and leads.

Inre förbindningar mellan uttag 15 i de tre faserna ingår i nollpunktsutförande. Streckade linjer visar i leveransen ej ingående ledare tillhörande anslutningsdonet.

2	Output for VUBB type added.	DAAN	20	15
1	VUBBR added.	TL	10	27
Rev Ind	Revision	Appd	Year	Week

Accepted by qual control R.Yngvesson	Accepted for prod by	Description (English) CONNECTION DIAGRAM	DATAORIGINAL
Design checked by B-O.Stenestam	Drawn by L.Bergman	Description (own language) KOPPLINGSSHEMA	File name 0391-7
Drawing checked by M.Hedlund	Issued by Dept Year Week COM/TKO 97 32	Lang 1	Sheet 1
Asea Brown Boveri		Rev Ind 2	Cont -

5492 0391-7

Sheet Cont
 Year Week
 Dept
 Rev Ind
 Design checked by
 Drawn by
 Issued by Dept Year Week
 COM/TKO 97 32
 M.Hedlund