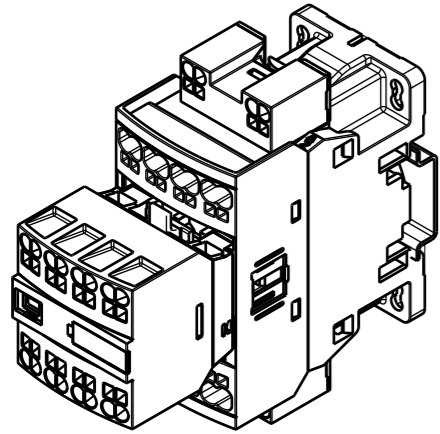


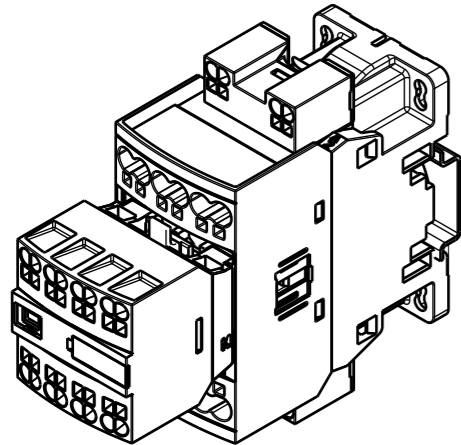
1 STACK AF09...16(Z)K/NF(Z)22...40EK + CA4K (4P)



ECHELLE 1:2

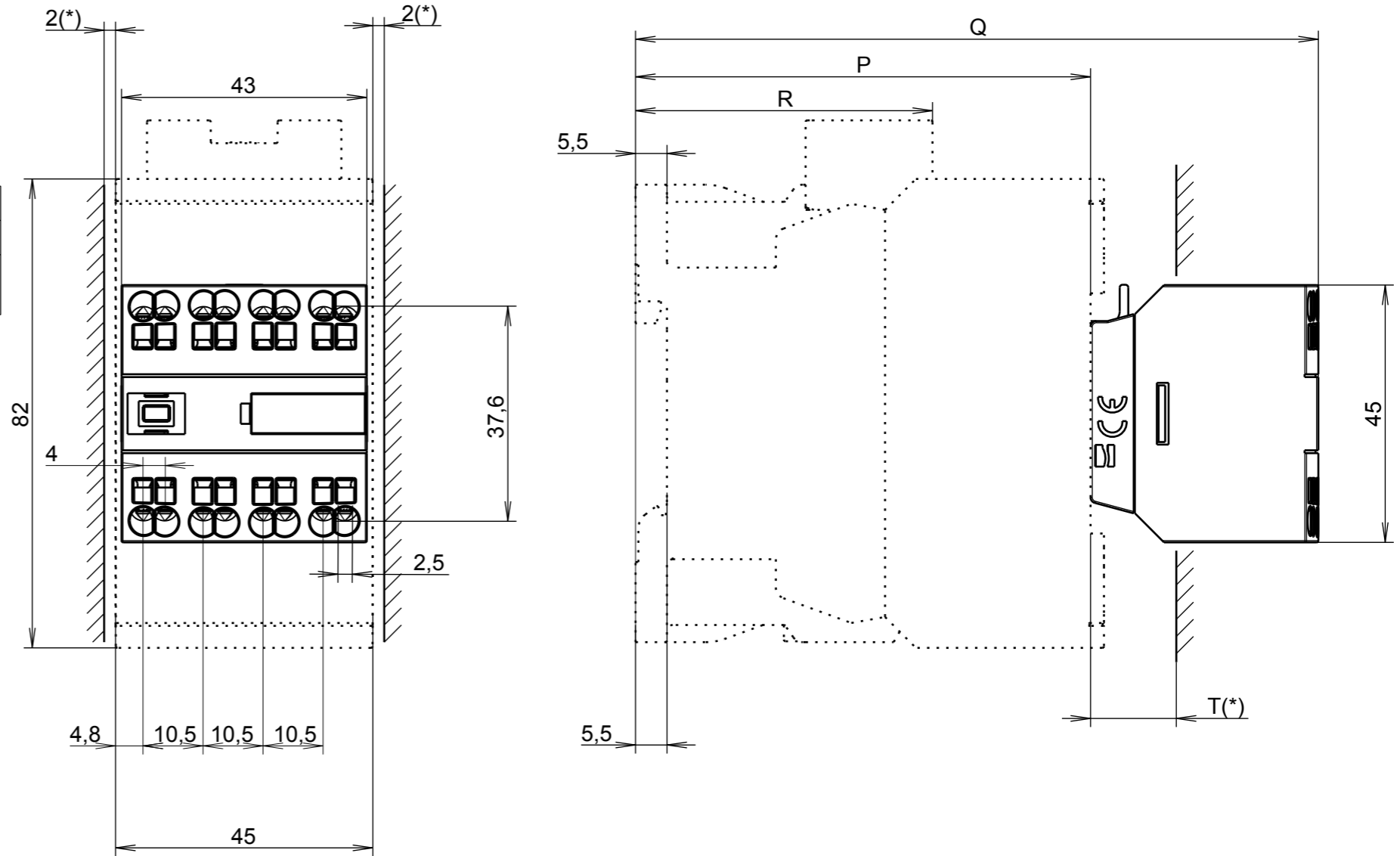
Products	Dimensions			
	R (mm)	P (mm)	Q (mm)	T(*) (mm)
NF(Z)22...40EK-xx + CA4K (4P)	52	71	110,5	10
AF09...16(Z)-30-01/10-xx + CA4K (4P)				

1 STACK AF26...38(Z)K + CA4K (4P)



ECHELLE 1:2

Products	Dimensions			
	R (mm)	P (mm)	Q (mm)	T(*) (mm)
AF26...38(Z)-30-00-xx + CA4K (4P)	52	80	119,5	15



(\*) MINIMUM DISTANCE TO GROUNDED COMPONENT

Created by	KENNY PICCARD	Checked by	Stephane Bovis	Approved by	Kenny Piccard
Created on	2018-01-10	Checked on	2018-01-17	Approved on	2018-01-17
	Comments	CREATION			Folio: 1/1
	ECN number	000078730	Released	Language: /EN	Format: A3
Title	ENCOMBREMENT NF(Z)22...40EK / AF09...38(Z)K + CA4-K (4P)			PRT	1SBB505181RXXXX A
Title (en)	OVERALL NF(Z)22...40EK / AF09...38(Z)K + CA4-K (4P)			DRW	1SBB505181D3501 B