

ROBOTICS

# IRB 2400

## Industrial Robot



IRB 2400 comprises a complete family of application optimized robots that maximize the efficiency of your arc welding, process and tending applications.

IRB 2400 is a dedicated high performance robot for process applications where the required accuracies are very demanding.

All models offer you inverted mounting capability. The compact design of the IRB 2400 ensures ease of installation.

The robust construction and use of minimum parts contribute to high reliability and long intervals between maintenance.

The Foundry Plus version is washable with high pressure steam and it's supplied with increased environment protection meeting IP 67 standard.

### **Global service and support**

For worry-free operation, ABB also offers Remote-Service, which gives remote access to equipment for monitoring and support. Moreover, ABB customers can take advantage of the company's service organization; with more than 35 years of experience in the arc welding sector, ABB provides service support in over 100 locations in 53 countries.

### **Main applications**

- Arc Welding
- Cutting/Deburring
- Grinding/Polishing

## Specification

Robot version	Reach (m)	Payloads (kg)
IRB 2400-10	1.55	12
IRB 2400-16	1.55	20
Number of axes	6	
Protection	FoundryPlus, IP54	
Mounting	Floor mounted and inverted mounted for all versions. Wall mounted for IRB 2400-10.	
Controller	IRC5 Single Cabinet Controller, Panel Mounted Controller	

## Performance (according to ISO 9283)

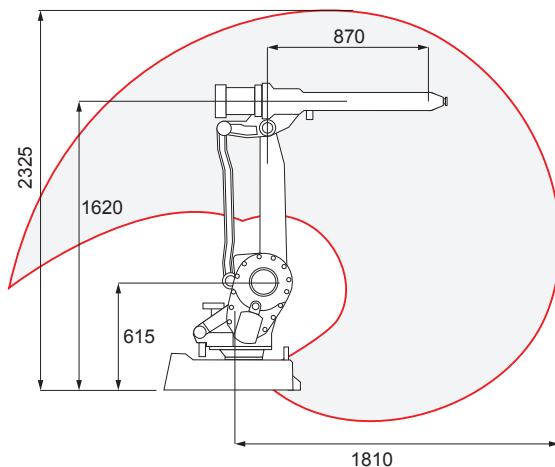
	Position repeatability RP (mm)	Path repeatability RT (mm)
IRB 2400-10	0.05	0.35
IRB 2400-16	0.05	0.35

## IRB 2400-10

Axis movement	Working range	Axis max speed
Axis 1	360°*	150°/s, 90°**
Axis 2	210°	150°/s, 90°**
Axis 3	125°	150°/s, 90°**
Axis 4	400°	360°/s
Axis 4, Option	Unlimited	
Axis 5	240°	360°/s
Axis 6	800°	450°/s
Axis 6, Option	Unlimited	

\*) ± 30° for wall mounted robot, \*) For wall mounted version

## IRB 2400-10, working range



## Technical information

### Electrical Connections

Supply voltage	200-600 V, 50/60 Hz
Power consumption	ISO-Cube at max speed 0.67 kW

### Physical

Dimensions robot base	723 x 600 mm
Total height	1564 mm
Robot weight	380 kg

### Environment

Ambient temperature for mechanical unit	
During operation	+5°C (41°F) to +45°C (113°F)
Relative humidity	Max 95 %
Degree of protection	IP54
Foundry Plus	IP67
Noise level	Max. 70 dB (A)
Emission	EMC/EMI-shielded

Data and dimensions may be changed without notice.

## IRB 2400-16

Axis movement	Working range	Axis max speed
Axis 1	360°*	150°/s
Axis 2	210°	150°/s
Axis 3	125°	150°/s
Axis 4	400°	360°/s
Axis 4, Option	Unlimited	
Axis 5	240°	360°/s
Axis 6	800°	450°/s
Axis 6, Option	Unlimited	

\*) ± 30° for wall mounted robot \*\*) For wall mounted version

## IRB 2400-16, working range

