

Quick installation and start-up guide

FCAN-01 CANopen adapter module

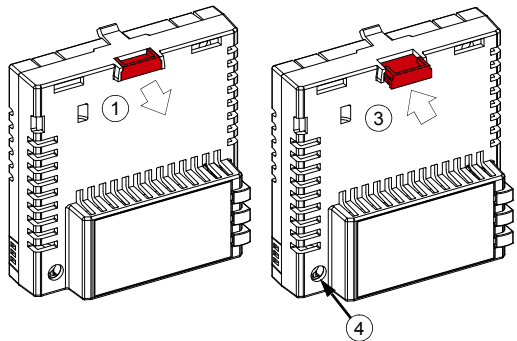
Safety instructions



WARNING! Obey the safety instructions. If you ignore them, injury or death, or damage to the equipment can occur. See the user's manual.

Mechanical installation

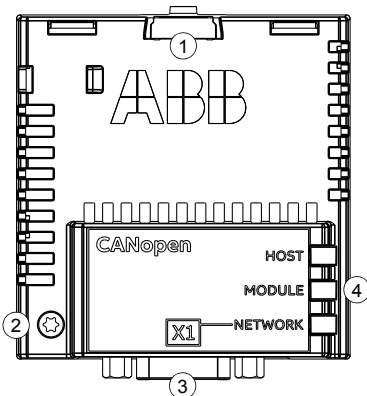
1. Pull out the lock.
2. Install the module carefully to an option module slot of the drive. See the drive hardware manual.
3. Push in the lock.
4. Tighten the screw to torque 0.8 N·m using a Torx TX10 screwdriver.



WARNING! Do not use excessive force, or leave the screw too loose. Over-tightening can damage the screw or module. A loose screw decreases the EMC performance, and can even cause an operation failure.

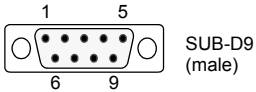
Electrical installation

Layout of the module



No.	Description
1	Lock
2	Mounting and grounding screw
3	Bus connector [X1]
4	Diagnostic LEDs

Pin allocation for [X1]



SUB-D9
(male)

According to CANopen specification CiA 301.

Pin		Description
1	-	Not in use
2	CAN_L	CAN_L bus line
3	CAN_GND	CAN ground
4	-	Not in use
5	CAN_SHLD	Optional CAN shield
6	GND	Optional ground
7	CAN_H	CAN_H bus line
8	-	Not in use
9	CAN_V+	Not supported.

Start-up

When the module is connected to the drive, the drive control program sets the applicable parameters. See the appropriate drive manual.

Basic parameter settings

Index	Name	Value
20.01	Ext1 commands	Fieldbus A
22.11	Speed ref1 source	FBA A ref 1
28.11	Frequency ref1 source	FBA A ref 1
50.01	FBA A enable	Enable (or select the option slot in which the module is installed)
50.02	FBA A comm loss func	Fault
51.02	Node ID	Set the node address of the device.
51.03	Bit rate	Set the bit rate for the CANopen interface.
51.05	Profile	The ABB Drives communication profile is the default value.

To take the settings into use, validate and refresh the parameters with parameter *51.27 FBA par refresh*.

Further information

See the latest version of *FCAN-01 CANopen adapter module user's manual* (3AFE68615500 [English]) in ABB library (www.abb.com/drives/documents).



[FCAN-01 manual](#)

For more information on fieldbus options and protocols provided by ABB Drives, see the fieldbus communications web page (new.abb.com/drives/connectivity/fieldbus-connectivity).



[Fieldbus communications web page](#)



3AXD50000158195A

3AXD50000158195 Rev A (EN) 2017-11-23

Power and productivity
for a better world™



Bus termination

Bus termination is required to prevent signal reflections from the bus cable ends. The module is not equipped with internal bus termination. Therefore, the first and last nodes of the bus must be included with bus termination.

In this diagram, the built-on terminations of the D-SUB connectors at the first and last nodes are switched on.

