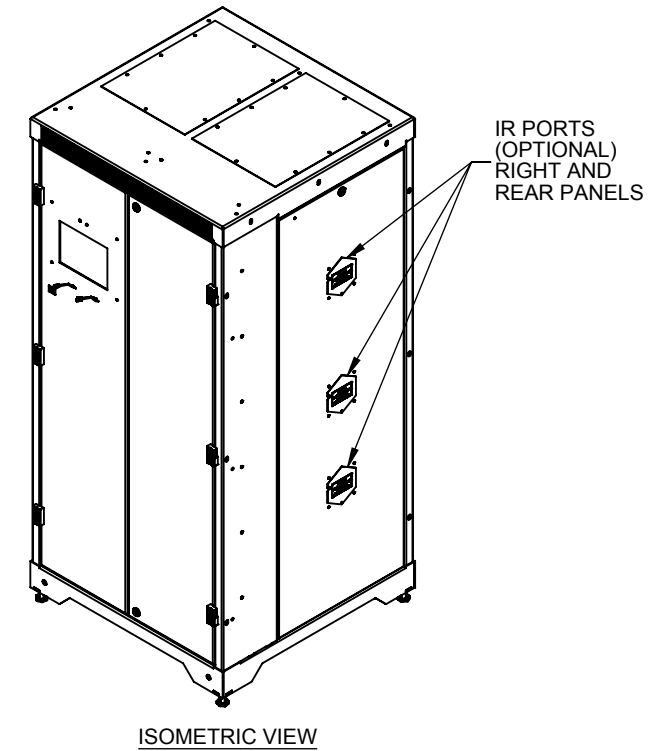
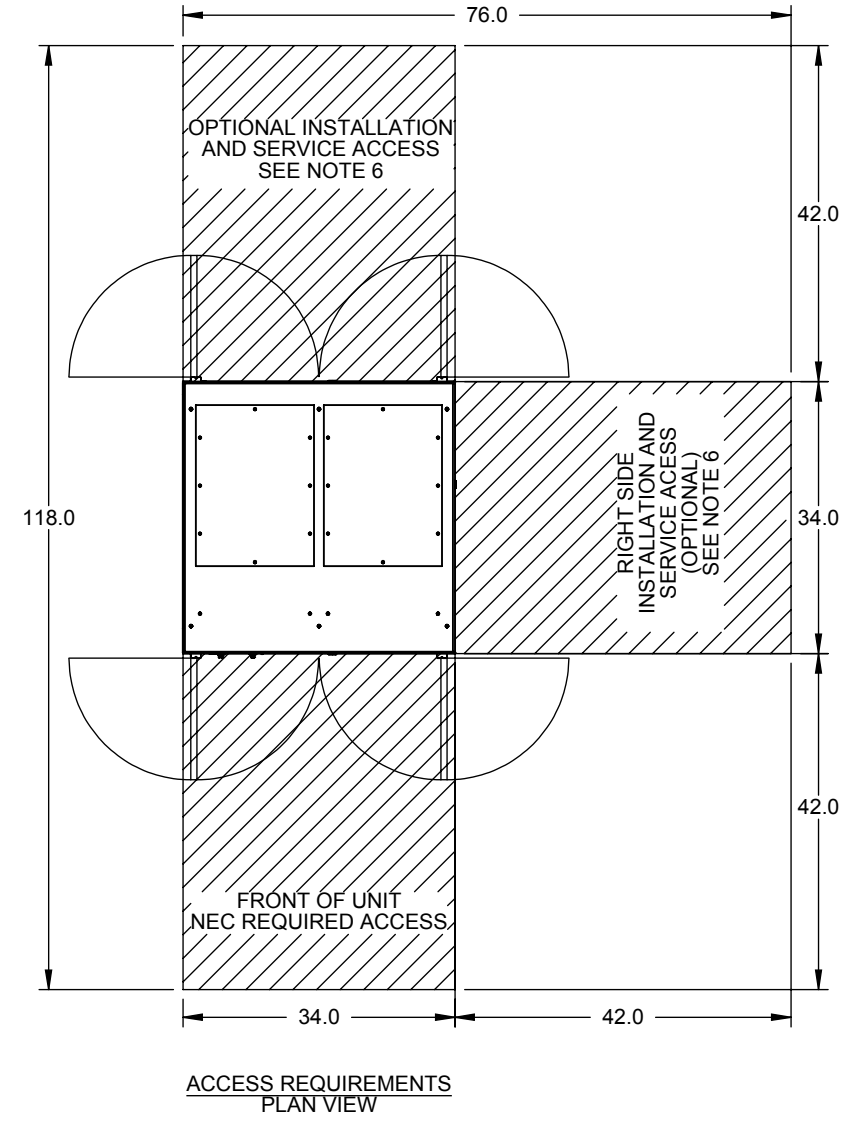
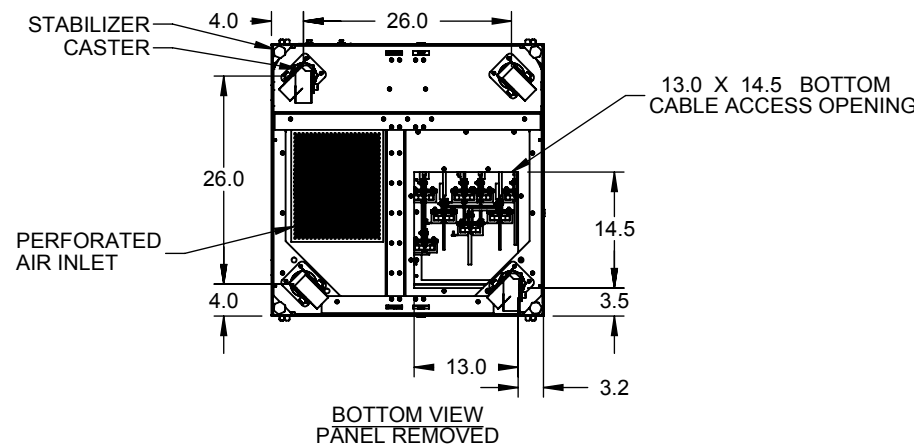
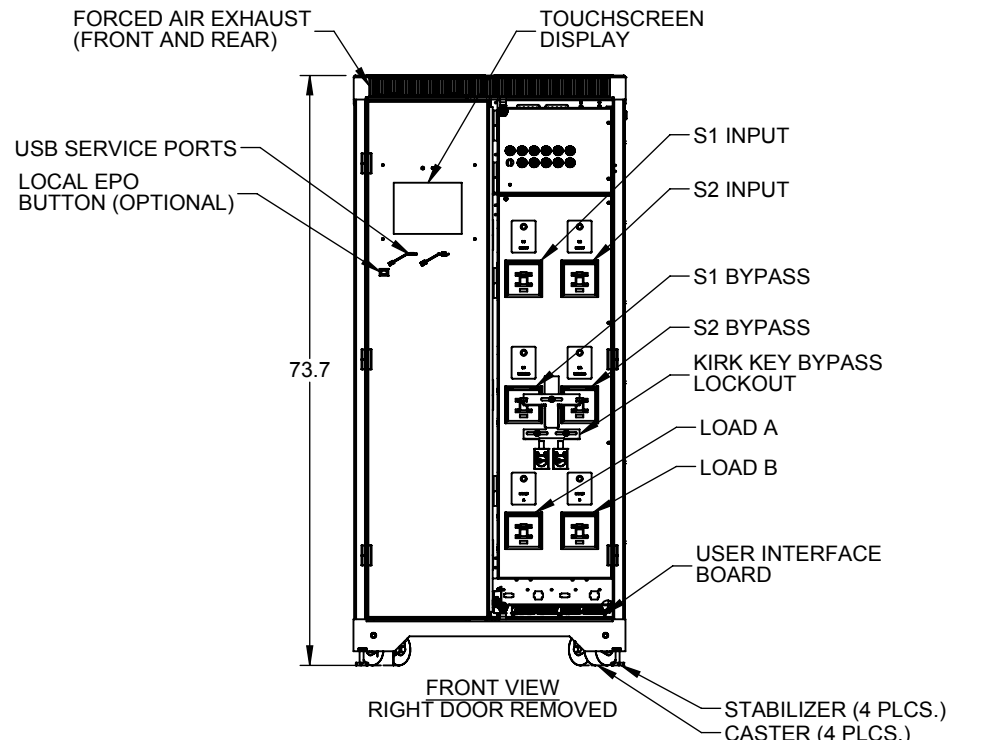
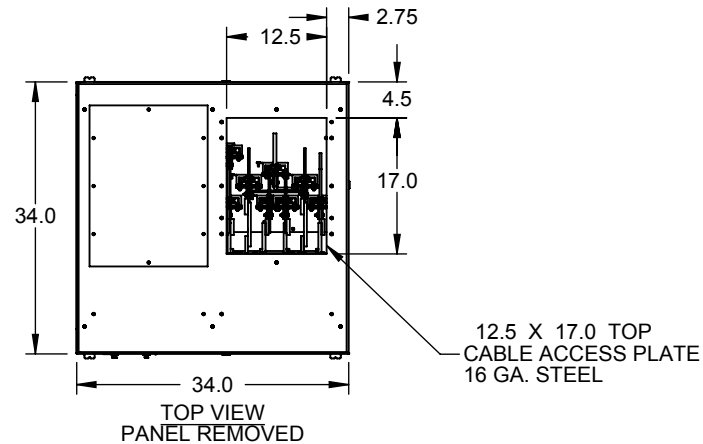


We reserve all rights in this document and in the information contained therein. Reproduction, use or disclosure to third parties without express authority is strictly forbidden. © Copyright 2014 ABB.



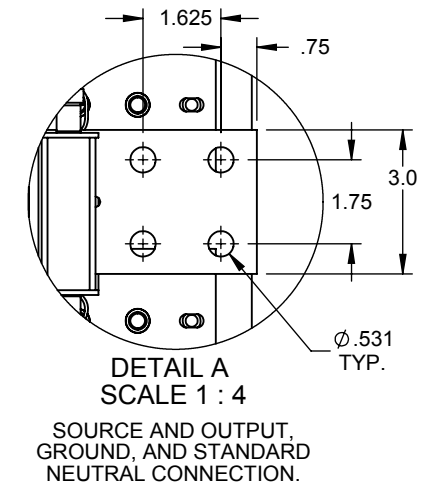
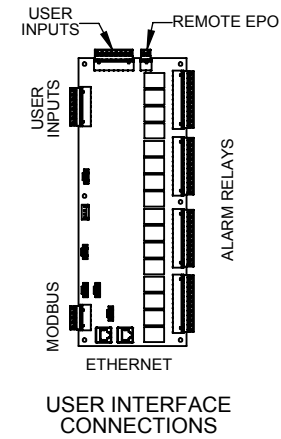
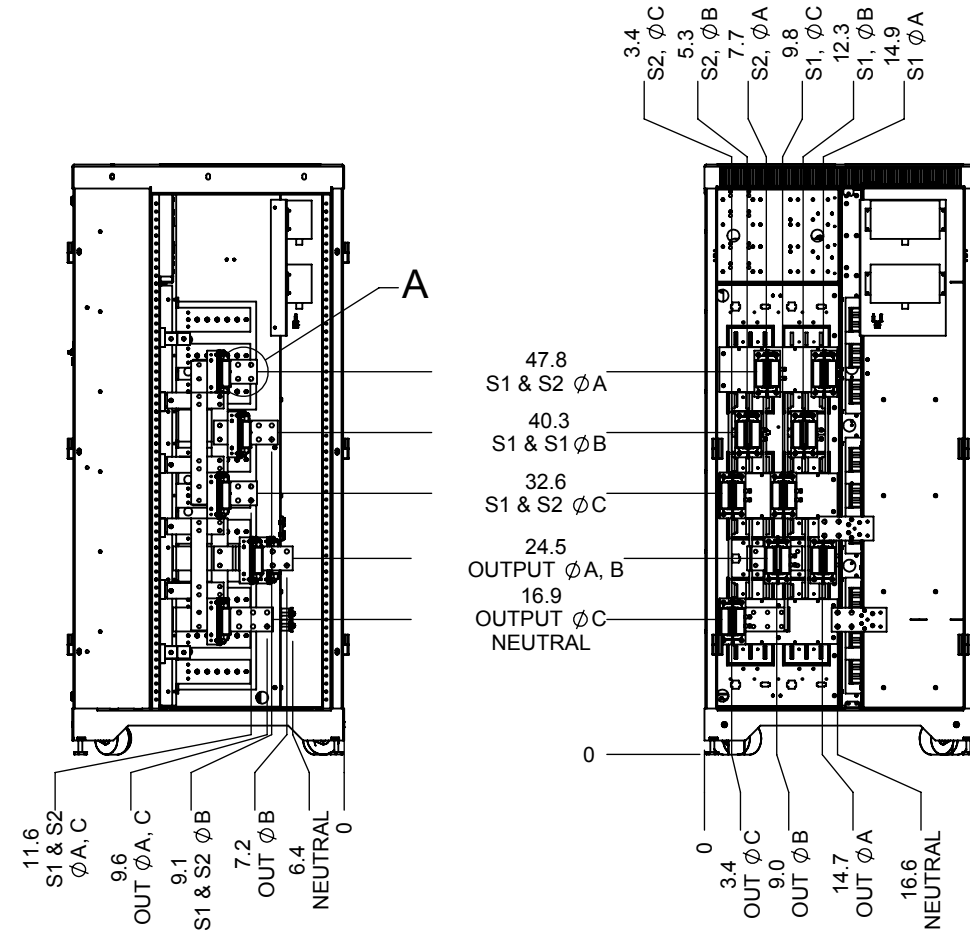
- NOTES:**
- INSTALLATION SHALL COMPLY WITH ALL APPLICABLE NATIONAL, STATE, AND LOCAL CODES.
  - REFER TO PRODUCT DOCUMENTATION FOR ADDITIONAL DETAILS PRIOR TO SITE PREPARATION OR INSTALLATION.
  - OPERATING TEMPERATURE RANGE: 0° TO 40°C.
  - SYSTEM COOLING REQUIREMENTS: FORCED AIR COOLED.
  - SYSTEM WEIGHT:  
1100 LBS (499 kg)
  - OPERATIONAL ACCESS VIA FRONT DOORS. MAINTENANCE AND CONNECTION ACCESS VIA FRONT DOORS AND REMOVEABLE SIDE PANEL OR REAR DOORS (DEPENDING ON ACCESS - SEE NOTE 7).
  - RECOMMENDED MINIMUM CLEARANCES:  
FRONT = 42" (OR 36" IF 208V)  
RIGHT = 42" (OR 36" IF 208V)  
REAR = 0" IF RIGHT SIDE ACCESS IS AVAILABLE  
= 42" (OR 36" IF 208V) IF NO RIGHT SIDE ACCESS IS AVAILABLE  
LEFT = 0"  
TOP = 20"
  - SYSTEM MUST HAVE ALL PANELS AND DOORS INSTALLED FOR PROPER OPERATION.
  - FINISH: FRAME AND OUTER PANELS, POWDER COAT  
INTERIOR, GALVANIZED ZINC ELECTROPLATE
  - CABLE ENTRY TOP OR BOTTOM, AS CONFIGURED PER CUSTOMER SPECIFICATION (BOTTOM ENTRY SHOWN).
  - BUSBAR TERMINALS WITH NEMA 2-HOLE LANDINGS, 1.75" SPACING 1/2-13 UNC THREAD, FURNISHED. SEE SHEET 2 FOR DETAILS.
  - UNIT DESIGNED FOR CABLE SIZES UP TO 2X 500MCM PER PHASE.

Rev.	ECN#	Resp.	Description	Date
A1	3443	LEH	Removed References to 200-400A Units Increased NEC Access to 42"	7/3/2019
A00	--	GTM	INITIAL RELEASE	4/25/2016

Revision Table				
Units	Sheet Size	Scale		
Inch	B	1:24		
Item ID	Item Rev.	Date Drawn		
94-9200-00000013	-	7/3/2019		
Document ID	Doc. Rev.	Page		
94-9200-00000013	A1	1 / 2		

Material <b>SEE NOTES</b>	Finish <b>POWDERCOAT, SEE NOTES</b>	Prepared <b>T. Miller</b>	Title <b>DWG: OUTLINE, 600A RA SS4</b>
Tolerances <b>N/A</b>		Approved <b>C. Belcastro</b>	
		Division/Dept. <b>Power Protection</b>	Document Kind <b>DetailDrawing</b>

We reserve all rights in this document and in the information contained therein. Reproduction, use or disclosure to third parties without express authority is strictly forbidden. © Copyright 2014 ABB



**NOTES:**

1. INSTALLATION SHALL COMPLY WITH ALL APPLICABLE NATIONAL, STATE, AND LOCAL CODES.
2. REFER TO PRODUCT DOCUMENTATION FOR ADDITIONAL DETAILS PRIOR TO SITE PREPARATION OR INSTALLATION.