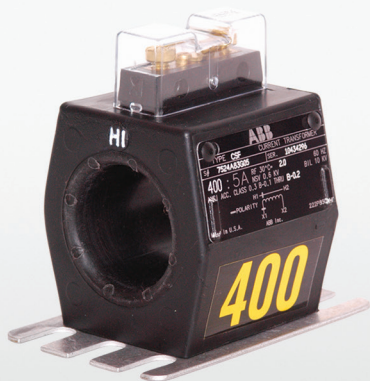


CSF

Indoor or outdoor current transformer



The CSF current transformer is designed for use in metering single or multi-phase low voltage circuits.

Product features

- 600 volt indoor or outdoor
- 10 kV BIL, 25 - 60 Hertz
- 1.5" (38 mm) or 2.0" (51 mm) window diameter

Application

The CSF miniature current transformer is used for indoor and outdoor metering applications. Used with watt-hour meters, it is applicable to single or multi-phase low voltage circuits.

Construction and insulation

The ring-type core and fully distributed winding are assembled to a glass filled polypropylene window liner and injection molded in thermoplastic rubber. The thermoplastic rubber insulating material is permanently molded to the core and coil assembly, resulting in a compact unit with excellent mechanical, thermal, and dielectric characteristics.

Secondary terminals and cover

The CSF is supplied with embedded compression-type secondary terminals, a short circuit device, and a clear, rectangular snap-on cover suitable for

locking with a meter seal. This clear plastic cover allows a visual check of connections and is keyed to ensure the shorting clip is across the terminals when no wires are connected. This safety feature avoids dangerous voltages across the secondary terminals if the primary is energized. Terminals accommodate #14-6 wire and can also serve as a post-type connector by looping wire under the screw head.

Base

Both standard and high bases are constructed of corrosion-resistant aluminum and secured to the encapsulated base support by four symmetrically located screws that allow the unit to be rotated 90°.

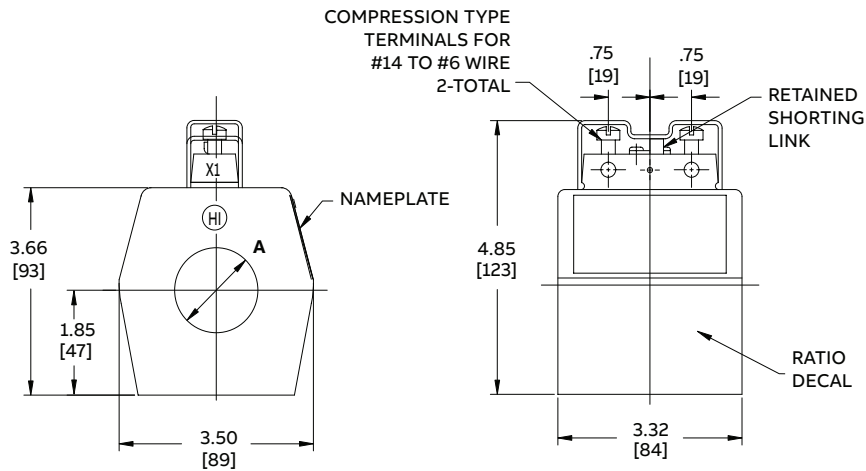
Test reports

Test reports are stored electronically and can be e-mailed in various formats at the time of shipment.

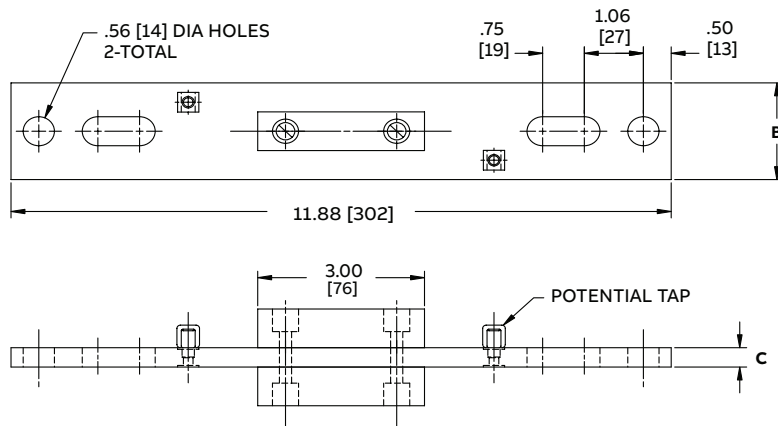
Standards

This unit meets or exceeds all requirements of IEEE C57.13-2016 and can be tested to other standards as requested.

Dimensions (inches [mm])



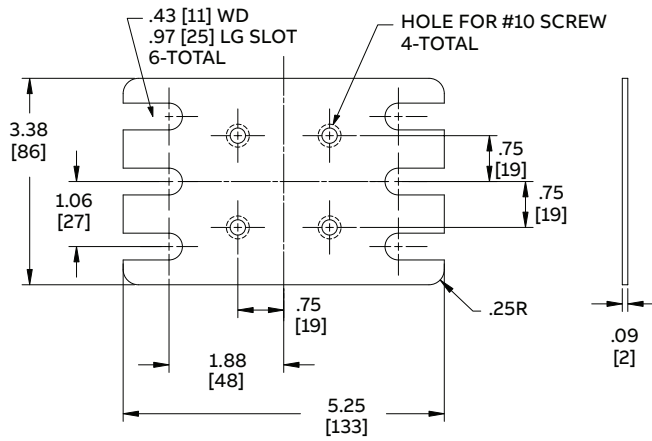
Window type



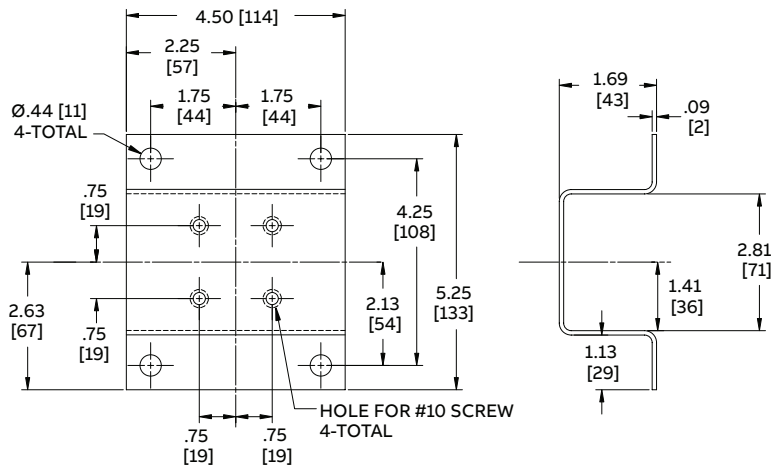
Primary bar

Dimensions and weights

Primary ampere rating	A		B		C		No base		Flat base		High base	
	(in)	(mm)	(in)	(mm)	(in)	(mm)	(lb)	(kg)	(lb)	(kg)	(lb)	(kg)
200	1.5	38	1.25	32	0.25	6	3.75	2.0	4.0	2.0	4.0	2.0
300	1.5	38	1.25	32	0.25	6	3.75	2.0	4.0	2.0	4.0	2.0
400	2.0	51	1.75	44	0.375	10	2.25	1.0	2.5	1.0	2.5	1.0
600	2.0	51	1.75	44	0.375	10	2.25	1.0	2.5	1.0	2.5	1.0



Flat base



High base

Selection guide

Primary ampere rating	Rating factor		IEEE metering accuracy @ 60 Hz	Style number		
	30° C	55° C		No base	Flat base	High base
200	3.0	2.0	0.3B-0.2	7524A85G01	7524A85G03	7524A85G05
300	2.0	1.5	0.3B-0.2	7524A85G02	7524A85G04	7524A85G06
400	2.0	1.5	0.3B-0.2	7524A83G02	7524A83G05	7524A83G08
600	1.5	1.2	0.3B-0.2	7524A83G03	7524A83G06	7524A83G09
150	3.0	2.0	0.3B-0.1	7524A85G13	7524A85G16	7524A85G19
250	2.0	1.5	0.3B-0.2	7524A85G14	7524A85G17	7524A85G20
350	2.0	1.5	0.3B-0.2	7524A85G15	7524A85G18	7524A85G21

Additional styles available upon request. Contact your ABB sales representative or call +1-252-827-3212 for more information.

Optional accessories

Accessory	Style number
Primary bar for 1.5" (38 mm) window diameter	9628A05G09
Primary bar for 2.0" (51 mm) window diameter	9628A05G10

ABB Inc.
3022 NC 43 North
Pinetops, NC 27864
Phone: +1 252 827 3212

abb.com/mediumvoltage

We reserve the right to make technical changes or modify the contents of this document without prior notice. With regard to purchase orders, the agreed particulars shall prevail. ABB does not accept any responsibility whatsoever for potential errors or possible lack of information in this document.

We reserve all rights in this document and in the subject matter and illustrations contained therein. Any reproduction, disclosure to third parties or utilization of its contents – in whole or in parts – is forbidden without prior written consent of ABB Inc.
Copyright© 2019 ABB
All rights reserved