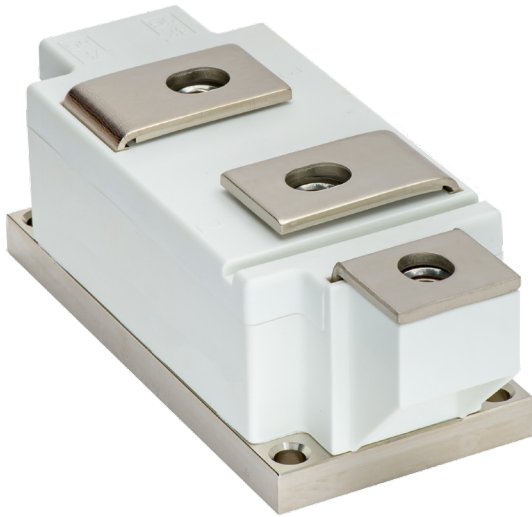


PRODUCT NOTE

60Pak module



01 60Pak diode-diode (DD) module with 2200 V is now available for sampling

Hitachi ABB Power Grids' power semiconductors provide the ultimate in reliability and are the epitome of quality. Whether efficiently driving industrial motors, smoothly accelerating fans and pumps or supplying power to demanding applications – failure is not an option. After successfully launching IGBT medium power modules, Hitachi ABB Power Grids is introducing a BiPolar power module perfecting the art of ultimate reliability - the 60Pak.

60Pak benefits

The key benefits of the new 60Pak are highest performance, outstanding reliability and increased overload capability. All highest quality Hitachi ABB Power Grids' assets wrapped in a standard industrial housing.

Diode and thyristor modules from Hitachi ABB Power Grids feature industry standard housings and very low losses together with the highest operating temperatures.

Features low voltage diode & thyristor modules

Precisious pressure contacts for high reliability

Industry standard housing

Insulated baseplate by AlN ceramic

UL recognized

Voltage range 1.8 - 2.2 kV

Forward current up to 890 A

Typical diode applications

Uncontrolled line frequency bridge arm in medium voltage drives, input rectifiers in AC/AC converters and DC power supply for applications such as industrial and renewables.

Typical thyristor applications

AC motor soft starters and variable speed drives in applications such as industrial and renewables.



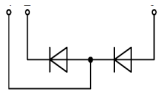
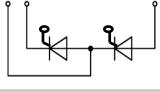
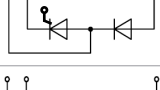
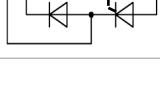
Portfolio outlook

The BiPolar thyristor and diode modules lineup will be expanded rapidly to different voltages and configurations in the coming years.

Target ratings 60Pak

Voltage (V)	Ampere (A)	Configurations
1800	620	TT, DD, DT, TD
2200 ¹	890	DD
5000	650	DD
6000	480	DD

¹ Product qualified

Configurations		
DD	Dio / Dio	
TT	Thy / Thy	
DT	Dio / Thy	
TD	Thy / Dio	
pc	Pressure contact	