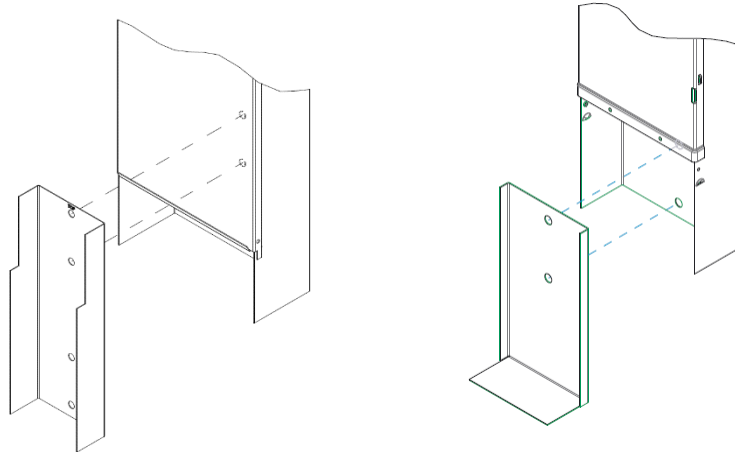


# INSTALLATION INSTRUCTIONS FOR EK126, EK129 EXTENSION KIT and SFEM series STABILIZER FOOT KIT

Kit consists of:

- (1) Post Extension Bracket or Stabilizer Foot
- (2) ½ " Bolts
- (2) ½ " Nuts
- (4) ½" Flat Washers
- (1) Instruction Sheet



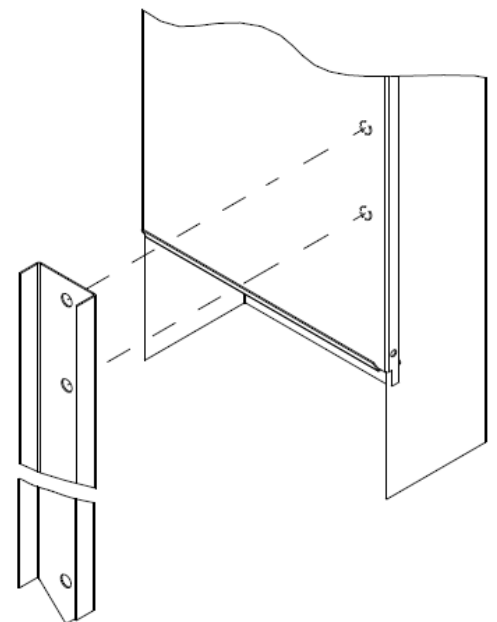
- 1) Line up top (2) holes on the post extension or stabilizer foot with the bottom (2) holes on the mounting post.
- 2) Assemble (1) flat washer to each bolt and insert bolt into post extension holes through the back of the mounting post.
- 3) Assemble the washer on the protruding end of the bolt and secure with a nut.
- 4) Tighten hardware on the assembly.

## INSTALLATION INSTRUCTIONS FOR POST MOUNTING STAKE MS62

Kit consists of:

- (1) Mounting Stake
- (2) ½" Bolts
- (2) ½" Nuts
- (4) ½" Flat Washers
- (1) Instruction Sheet

- 1) Line up top (2) holes on stake with bottom (2) holes in the mounting post.
- 2) Assemble (1) flat washer to each bolt and insert bolt into stake holes through back of mounting post.
- 3) Assemble washer to protruding end of the bolt and secure with a nut.
- 4) Tighten hardware on assembly.



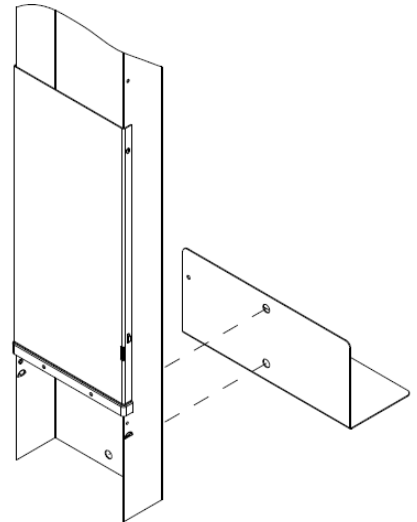
(See other side for footing base FBEM9 instructions)

# INSTALLATION INSTRUCTIONS FOR FOOTING BASE

## FBEM9

Kit consists of:

- (1) Footing Base
- (2) ½" Bolts
- (2) ½" Nuts
- (4) ½" Flat Washers
- (1) Instruction Sheet



- 1) Line up top (2) holes on the footing base with the bottom (2) holes on the mounting post.
- 2) Assemble (1) flat washer to each bolt and insert the bolts into the post holes through the back of the footing base.
- 3) Assemble the washer on the protruding end of the bolt and secure with a nut.
- 4) Tighten hardware on the assembly.

Note: Combinations of these mounting kits may be utilized as follows:

- Extension and footing base.
- Extension and stake.

Follow footing base or mounting stake installation instructions to complete the assembly process.



MIDWEST ELECTRIC PRODUCTS, INC.  
305 Gregson Drive  
Cary, NC 27511