

KOR-60 and KOR-75

Outdoor metering current transformers



The KOR-60 and KOR-75 outdoor current transformers are designed for metering and relaying circuits.

Product features

- 5 and 8.7 kV, outdoor
- 60 and 75 kV BIL, 60 Hertz
- Electrical clearances:
 - Strike: 7.5" (191 mm)
 - Creep: 13.3" (338 mm)
- Approximate weight: 40 lbs. (18 kg)

Application

The KOR-60 and KOR-75 outdoor current transformers are designed for metering and relaying circuits. The top location of the primary terminals is convenient for connecting to overhead lines with drop leads.

Construction features

Primary and secondary windings are assembled around a core and attached to a support frame. For insulation and protection, the assembly is cast in hydrophobic cycloaliphatic epoxy (HCEP) using automatic pressure gelation. The HCEP material offers superior arc track, ozone, and ultraviolet-resistive properties while maintaining physical strength. The hydrophobic surface properties of HCEP ensure highly reliable performance in wet or humid environments.

Terminals

Primary terminals are electro-tin plated copper. Secondary terminals are clamp-type and accommodate #14 to #1 wire. Terminal screws are slotted-head type.

Junction box

The junction box is provided with 1" conduit hubs on each end and a knock-out for fitting a conduit connection from the bottom. It may be detached for ease of installation and changeout procedures.

Baseplate

The base is constructed of corrosion-resistant aluminum and is secured to the encapsulated base support.

Mounting

The KOR-60 and KOR-75 can be mounted in upright, cantilever, or upside-down positions. Stress relief devices should be used to support cable connections.

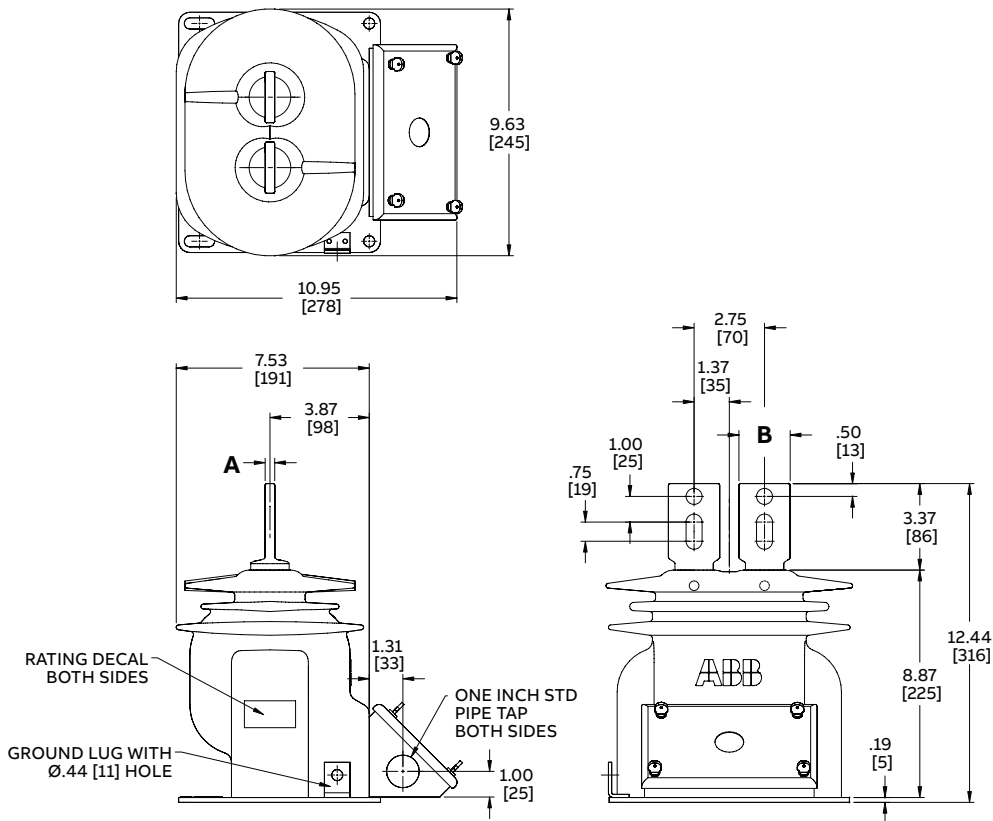
Test reports

Test reports are stored electronically and can be e-mailed in various formats at the time of shipment.

Standards

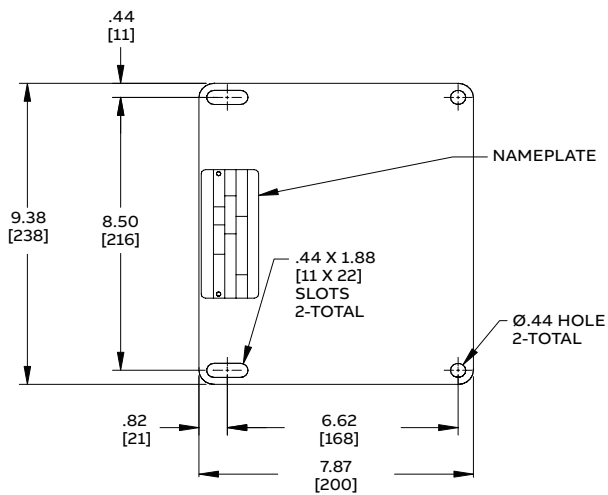
This unit can be tested to all applicable IEEE, CSA, or IEC standards as requested.

Dimensions (inches [mm])



Bar dimensions

| Primary ampere rating | A | | B | |
|--------------------------|-------|------|------|------|
| | (in) | (mm) | (in) | (mm) |
| 5 - 150 | 0.25 | 6 | 1.5 | 38 |
| 200 - 800 | 0.375 | 10 | 2.0 | 51 |



| Selection guide | | | | | | |
|------------------------------|------------------------------|-------------------------------|----------------------------|------------------------|---------------------------|---------------------|
| Primary ampere rating | Rating factor @ 30° C | IEEE metering accuracy | IEEE relay accuracy | Thermal rating* | Mechanical rating* | Style number |
| KOR-60 | | | | | | |
| 5 | 1.5 | 0.3B-1.8 | T100 | 100 | 270 | E-7524A10G01 |
| 10 | 1.5 | 0.3B-1.8 | T100 | 100 | 270 | E-7524A10G02 |
| 15 | 1.5 | 0.3B-1.8 | T100 | 100 | 270 | E-7524A10G03 |
| 20 | 1.5 | 0.3B-1.8 | T100 | 100 | 270 | E-7524A10G04 |
| 25 | 1.5 | 0.3B-1.8 | T100 | 100 | 270 | E-7524A10G05 |
| 30 | 1.5 | 0.3B-1.8 | T100 | 100 | 270 | E-7524A10G06 |
| 40 | 1.5 | 0.3B-1.8 | T100 | 100 | 270 | E-7524A10G07 |
| 50 | 1.5 | 0.3B-1.8 | T100 | 100 | 270 | E-7524A10G08 |
| 75 | 1.5 | 0.3B-1.8 | T100 | 100 | 270 | E-7524A10G09 |
| 100 | 1.5 | 0.3B-1.8 | T100 | 100 | 270 | E-7524A10G10 |
| 150 | 1.5 | 0.3B-1.8 | T100 | 100 | 270 | E-7524A10G11 |
| 200 | 1.5 | 0.3B-1.8 | T100 | 100 | 270 | E-7524A10G12 |
| 300 | 1.5 | 0.3B-1.8 | T100 | 100 | 270 | E-7524A10G13 |
| 400 | 1.5 | 0.3B-1.8 | T100 | 100 | 270 | E-7524A10G14 |
| 600 | 1.5 | 0.3B-1.8 | T100 | 65 | 175 | E-7524A10G15 |
| 800 | 1.33 | 0.3B-1.8 | T100 | 50 | 135 | E-7524A10G16 |
| KOR-75 | | | | | | |
| 5 | 1.5 | 0.3B-1.8 | T100 | 100 | 270 | E-7524A11G01 |
| 10 | 1.5 | 0.3B-1.8 | T100 | 100 | 270 | E-7524A11G02 |
| 15 | 1.5 | 0.3B-1.8 | T100 | 100 | 270 | E-7524A11G03 |
| 20 | 1.5 | 0.3B-1.8 | T100 | 100 | 270 | E-7524A11G04 |
| 25 | 1.5 | 0.3B-1.8 | T100 | 100 | 270 | E-7524A11G05 |
| 30 | 1.5 | 0.3B-1.8 | T100 | 100 | 270 | E-7524A11G06 |
| 40 | 1.5 | 0.3B-1.8 | T100 | 100 | 270 | E-7524A11G07 |
| 50 | 1.5 | 0.3B-1.8 | T100 | 100 | 270 | E-7524A11G08 |
| 75 | 1.5 | 0.3B-1.8 | T100 | 100 | 270 | E-7524A11G09 |
| 100 | 1.5 | 0.3B-1.8 | T100 | 100 | 270 | E-7524A11G10 |
| 150 | 1.5 | 0.3B-1.8 | T100 | 100 | 270 | E-7524A11G11 |
| 200 | 1.5 | 0.3B-1.8 | T100 | 100 | 270 | E-7524A11G12 |
| 300 | 1.5 | 0.3B-1.8 | T100 | 100 | 270 | E-7524A11G13 |
| 400 | 1.5 | 0.3B-1.8 | T100 | 100 | 270 | E-7524A11G14 |
| 600 | 1.5 | 0.3B-1.8 | T100 | 65 | 175 | E-7524A11G15 |
| 800 | 1.33 | 0.3B-1.8 | T100 | 50 | 135 | E-7524A11G16 |

Note: 50 Hz designs available

* times normal, 1 second; + times normal

Additional styles available upon request. Contact your ABB sales representative or call +1-252-827-3212 for more information.

Optional accessories

| Accessory | Style number |
|---------------------------------------------------------------------------------------------------------|---------------------|
| Vertical mounting with mounting brackets and back-up plates: | |
| Mounting bracket | 463C035G02 |
| Back-up plate | 28D2876G01 |
| Vertical mounting with mounting brackets and hangers: | |
| Mounting bracket | 463C035G02 |
| Hangers | 261A233G01 |
| Vertical mounting with channel brackets for tandem mounting of voltage and current transformers: | |
| Channel bracket | 332B955G02 |
| Horizontal mounting with hangers | |
| Hangers | 261A233G01 |

ABB Inc.
3022 NC 43 North
Pinetops, NC 27864
Phone: +1 252 827 3212

abb.com/mediumvoltage

We reserve the right to make technical changes or modify the contents of this document without prior notice. With regard to purchase orders, the agreed particulars shall prevail. ABB does not accept any responsibility whatsoever for potential errors or possible lack of information in this document.

We reserve all rights in this document and in the subject matter and illustrations contained therein. Any reproduction, disclosure to third parties or utilization of its contents – in whole or in parts – is forbidden without prior written consent of ABB Inc.
Copyright© 2021 ABB
All rights reserved