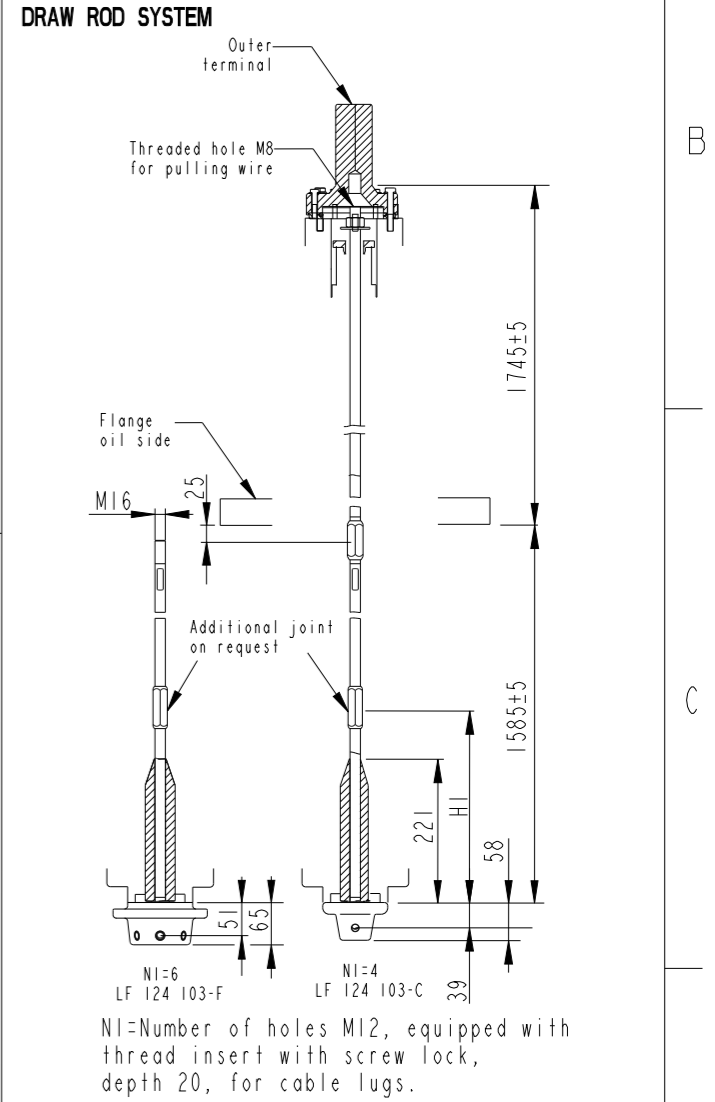
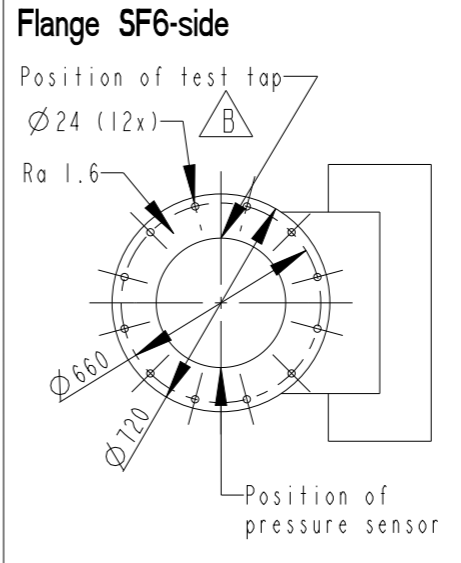
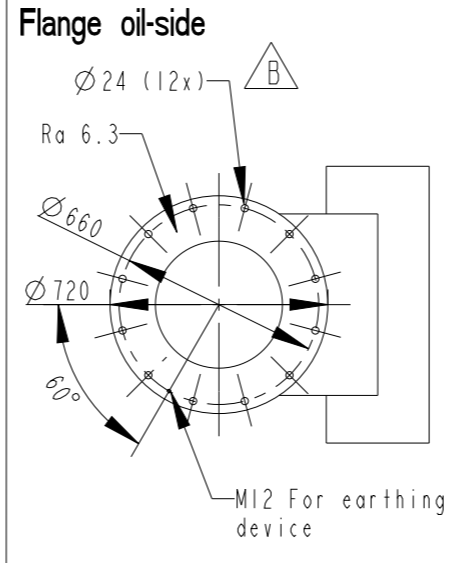
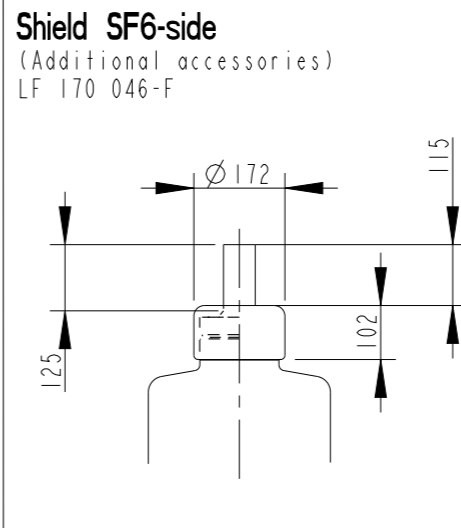
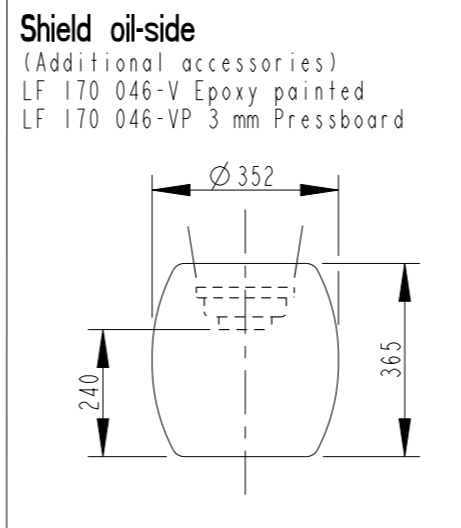
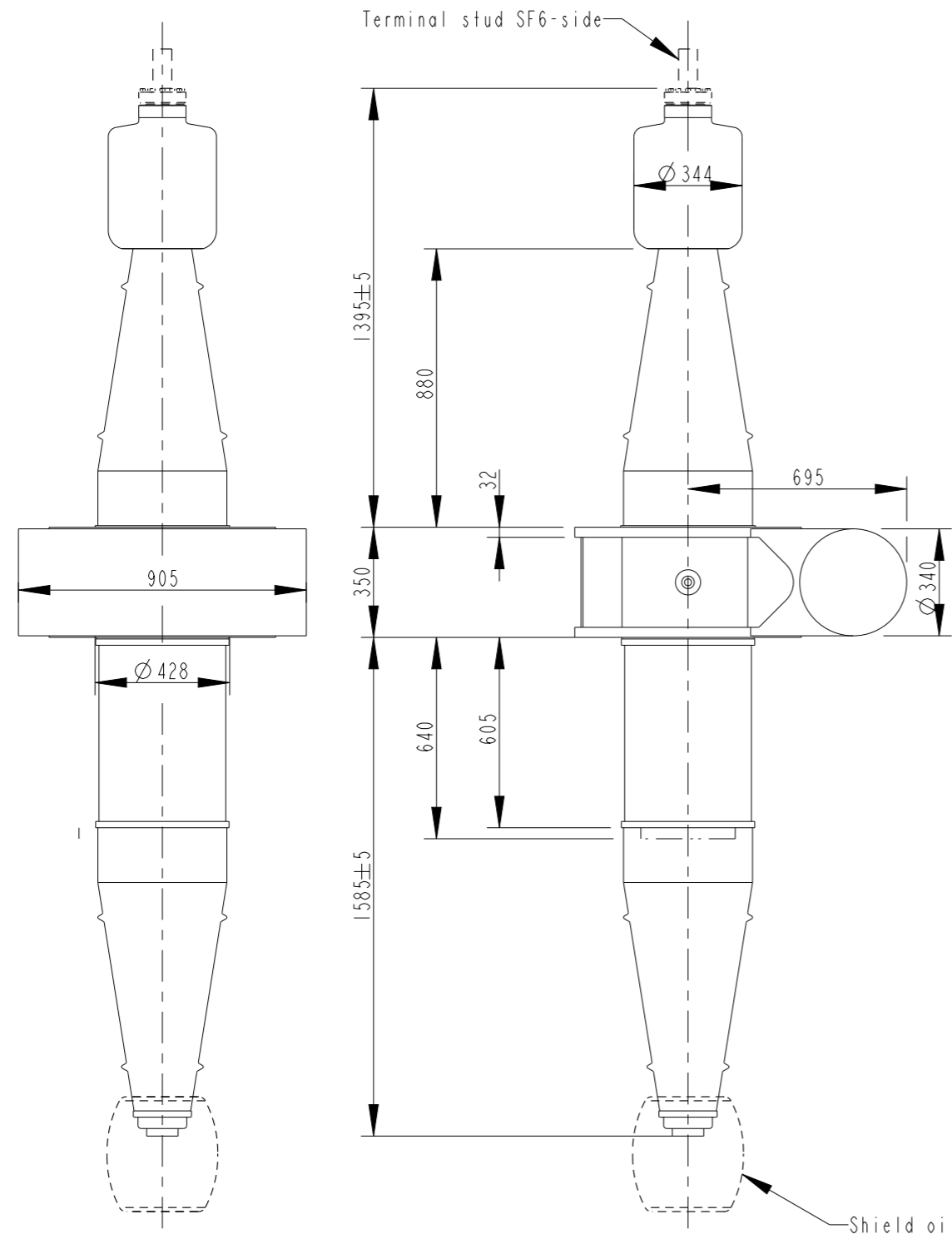
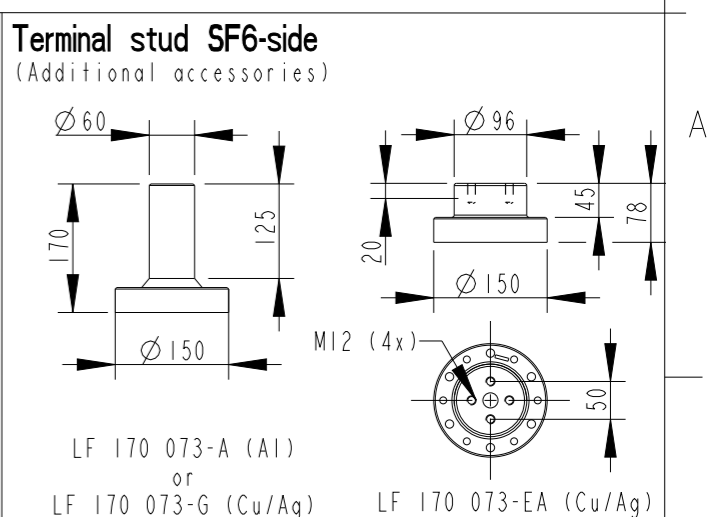
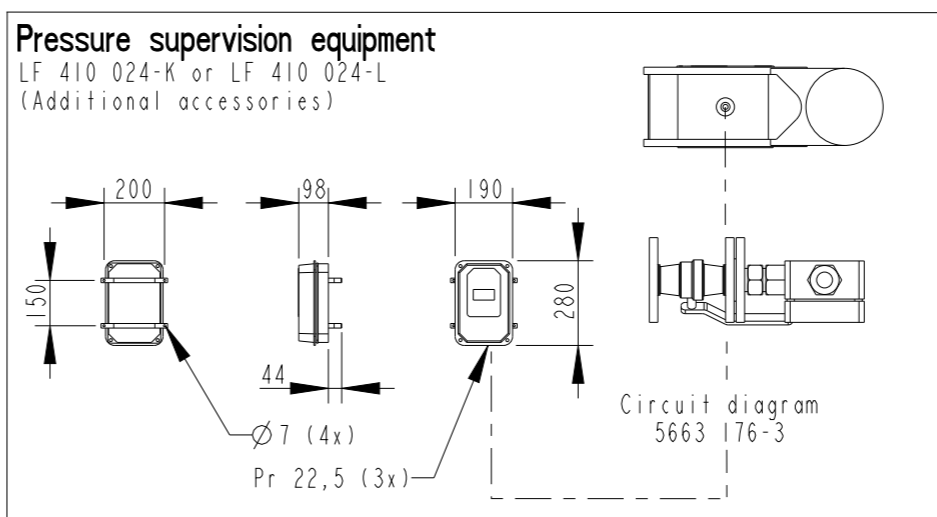


This document is issued by means of a computerized system. The digitally stored original is electronically approved. The approved document has a date entered in the "Approved"-field. A manual signature is not required.

The information contained in this document has to be kept strictly confidential. Any unauthorized use, reproduction, distribution or disclosure to third parties are strictly forbidden. ABB reserves all rights regarding Intellectual Property Rights. © Copyright 2013 ABB. All rights reserved.

Bushing data		
Catalogue number	LF 124 003-C	
Rated voltage	550	kV
Max. phase to ground	318	kV
Rated current vertical	2500	A
Rated current horizontal	1600	A
Lighting impulse	1675	kV
Switching impulse	1300	kV
Power frequency AC	750	kV
Mass	575	kg

ABB		Ludvika, Sweden	
No.			
Um/Uy	kV Ir	A	50/60 Hz
BIL	kV SIL	kV AC	kV
M	kg L	mm	▷
C1	pF Tan δ		z
C2	pF Tan δ		z



Prepared Tobias Langörger 2019-02-25	Responsible department PPCO/BK	Title GOEK 1675 FE=600	Language D
Modified by Tobias Langörger 2019-02-25	Take over department		
Approved by Johan X Eriksson 2019-02-25	Used in product	Order	Sheet no.
Revision B Fixed Dimensions			
Document no. 2753015-28		No. Shs. (1)	

