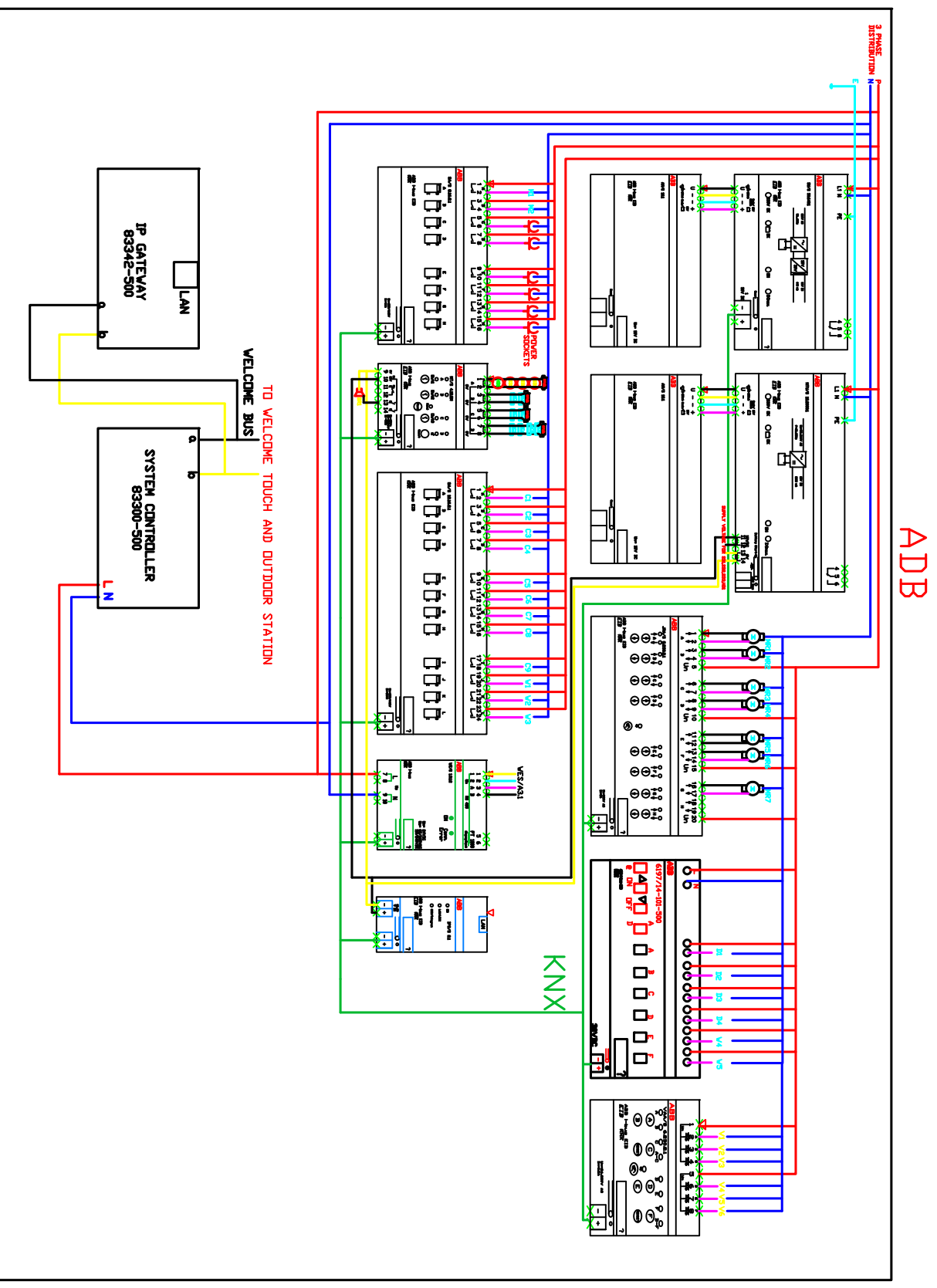


LEGENDE	DESCRIPTION
	AUTOMATION DISTRIBUTION BOARD
	WALL LIGHT
	SHIMMEL CEILING LIGHT
	CEILING LIGHT
	ROOFING LIGHT
	CURTAIN MOTOR
	THERMAL SHOCK DETECTOR
	OPTICAL SHOCK DETECTOR
	MUCHI PRESENCE ROX HMI
	MAGNETIC REED CONTACT
	NON THERMISTAT
	CONTROL ELEMENT 2/4P/2L
	CONTROL ELEMENT 4/8P/2L
	ASH VELOCITE TOUCH
	SMART TOUCH
	ELECTRONIC SOLID STATE SWITCH
	POWER SOCKETS
	THERMOELECTRIC VALVE DRIVERS
	LIGHT FIXTURE CONTROL WIRE
	ROX CABLE

DESIGNED BY: SIEGLITH N
ABB



Note :

These drawings are exemplary and of an illustrative nature only and may not represent the exact wiring configuration of KNX devices according to the local electrical installation requirements. Please note the drawings also do not include the legally required primary electrical protection devices i.e., circuit breakers, earth fault devices, etc., as these are highly dependent on national installation regulations. We reserve the right to make technical changes or modify the contents of the Document without prior notice. ABB does not accept any responsibility whatsoever for potential errors or possible lack of information in the Document.

We reserve all rights in the Document and in the subject matter and illustrations contained therein. Any reproduction, disclosure to third parties or utilization of its contents – in whole or in parts – is forbidden without prior written consent of ABB.

©Copyright 2015 ABB. All rights reserved.

Warranty, Liability:

The user shall be solely responsible for the use of the content of this Document. ABB shall be under no warranty whatsoever. ABB's liability in connection with the Document, irrespective of the legal ground, shall be excluded. The exclusion of liability shall not apply in the case of intention or gross negligence. The present declaration shall be governed by and construed in accordance with the laws of Switzerland under exclusion of its conflict of law rules and of the Vienna Convention on the International Sale of Goods (CISG).