

2600T Series Pressure Transmitters

Model 263GS Gauge
Model 263AS Absolute
standard overload



- **Base accuracy : $\pm 0.075\%$**
- **Span limits**
 - 0.2 to 60000kPa; 0.8inH₂O to 8700psi
 - 0.3 to 3000kPa abs; 2.25mmHg to 435psia
- **Reliable sensing system coupled with very latest digital technologies**
 - provides large turn down ratio up to 100:1
- **Comprehensive sensor choice**
 - optimize in-use total performance and stability
- **5-year stability**
- **Flexible configuration facilities**
 - provided locally via local keys combined with LCD indicator or via hand held terminal or PC configuration platform
- **Multiple protocol availability**
 - provides integration with HART®, PROFIBUS PA and FOUNDATION Fieldbus platforms offering interchangeability and transmitter upgrade capabilities
- **Full compliance with PED Category III**



**ABB 2600T Series
Engineered solutions
for all applications**

Functional Specifications

Range and span limits

Sensor Code	Upper Range Limit (URL)	Lower Range Limit (LRL) for 263GS	Minimum span	
			263GS gauge	263AS absolute
C	6kPa 60mbar 24inH ₂ O	-6kPa -60mbar -24inH ₂ O	0.2kPa 2mbar 0.8inH ₂ O	0.3kPa 3mbar 2.25mmHg
F	40kPa 400mbar 160inH ₂ O	-40kPa -400mbar -160inH ₂ O	0.4kPa 4mbar 1.6inH ₂ O	2kPa 20mbar 15mmHg
L	250kPa 2500mbar 1000inH ₂ O	0 abs	2.5kPa 25mbar 10inH ₂ O	12.5kPa 125mbar 93.8mmHg
U	3000kPa 30bar 435psi	0 abs	30kPa 0.3bar 4.35psi	150kPa 1.5bar 21.7psi
R	10000kPa 100bar 1450psi	0 abs	100kPa 1bar 14.5psi	
V	60000kPa 600bar 8700psi	0 abs	600kPa 6bar 87psi	

Note : Lower Range Limit (LRL) for 263AS is 0 abs for all ranges.

Span limits

Maximum span = URL

IT IS RECOMMENDED TO SELECT THE TRANSMITTER SENSOR CODE PROVIDING THE TURNDOWN VALUE AS LOWEST AS POSSIBLE TO OPTIMIZE PERFORMANCE CHARACTERISTICS.

Zero suppression and elevation

Zero and span can be adjusted to any value within the range limits detailed in the table as long as:

- calibrated span \geq minimum span

Damping

Adjustable time constant : 0 to 60s.

This is in addition to sensor response time

Turn on time

Operation within specification in less than 2.5s with minimum damping.

Insulation resistance

> 100M Ω at 1000VDC (terminals to earth)

Operative limits

Temperature limits °C (°F) :

Ambient (is the operating temperature)

Silicone oil filling: -40°C and +85°C (-40°F and +185°F)

Inert filling and white oil: -20°C and +85°C (-4°F and +185°F)

Lower limit for Viton gasket: -20°C (-4°F)

Lower limit for perfluoroelastomer gasket: -15°C (+5°F)

Upper limit for perfluoroelastomer gasket: +80°C (+176°F)

Note : For Hazardous Atmosphere applications see the temperature range specified on the certificate/approval relevant to the aimed type of protection

Process

Lower limit

- -50°C (-58°F); -20°C (-4°F) for Viton gasket.

- -15°C (+5°F) for perfluoroelastomer gasket

Upper limit

- Silicone oil, inert fluid and white oil: 121°C (250°F)

- Perfluoroelastomer gasket: +80°C (+176°F)

Storage

Lower limit: -50°C (-58°F); -40°C (-40°F) for LCD indicators

Upper limit: +85°C (+185°F)

Pressure limits

Overpressure limits (without damage to the transmitter)

0 absolute to

- 1MPa, 10bar, 145psi for sensor codes C, F

- 0.5MPa, 5bar, 72.5psi for sensor code L

- 6MPa, 60bar, 870psi for sensor code U

- 20MPa, 200bar, 2900psi for sensor code R

- 90MPa, 900bar, 13050psi for sensor code V

- 0.6MPa, 6bar, 87psi for perfluoroelastomer gasket

Proof pressure

The transmitter can be exposed without leaking to line pressure of up to

- 1MPa, 10bar, 145psi for sensor codes C, F

- 0.5MPa, 5bar, 72.5psi for sensor code L

- 6MPa, 60bar, 870psi for sensor code U

- 20MPa, 200bar, 2900psi for sensor code R

- 90MPa, 900bar, 13050psi for sensor code V

- 0.6MPa, 6bar, 87psi for perfluoroelastomer gasket

Environmental limits

Electromagnetic compatibility (EMC)

Definition	Class 3
Radio suppression (according to EN 550011)	Limit class B
Fulfills NAMUR recommendation	

Low voltage directive

Comply with 73/23/EEC

Pressure equipment directive (PED)

Comply with 97/23/EEC Category III module H.

Humidity

Relative humidity:	up to 100% annual average
Condensing, icing:	admissible

Vibration resistance

Accelerations up to 2g at frequency up to 1000Hz
(according to IEC 60068–2–26)

Shock resistance (according to IEC 60068–2–27)

Acceleration:	50g
Duration:	11ms

Wet and dust-laden atmospheres

The transmitter is dust and sand tight and protected against immersion effects as defined by IEC EN60529 (1989) to IP 67 (IP 68 on request) or by NEMA to 4X or by JIS to C0920.

Hazardous atmospheres

- Transmitters of the type of protection "Intrinsically safe EEx ia" according to the directions 94 / 9 / EC (ATEX)
Transmitter with 4 to 20mA output signal and HART communication
Marking (DIN EN 50 014): II 1/2 GD T50°C EEx ia IIC T6 or resp.
II 1/2 GD T95°C EEx ia IIC T4

Supply and signal circuit type of protection Intrinsic Safety
EEx ib IIB/IIC resp. EEx ia IIB/IIC

for connection to supply units with maximum values:

II 1/2 GD T50°C EEx ia resp. ib IIC T6 resp.

II 1/2 GD T95°C EEx ia resp. ib IIC T4

for Temperature class T4 resp. T95°C:

$U_i = 30V$

$I_i = 200mA$

$P_i = 0.8W$ for T4 with $T_a = (-40 \text{ to } +85)^\circ C / (-40 \text{ to } +185)^\circ F$

$P_i = 1.0W$ for T4 with $T_a = (-40 \text{ to } +70)^\circ C / (-40 \text{ to } +158)^\circ F$

for Temperature class T6 resp. T50°C:

$P_i = 0.7W$ for T6 with $T_a = (-40 \text{ to } +40)^\circ C / (-40 \text{ to } +104)^\circ F$

effective internal capacitance, $C_i \leq 10nF$

effective internal inductance, negligible.

Fieldbus transmitters (PROFIBUS PA / FOUNDATION Fieldbus)

Marking (DIN EN 50 014): II 1/2 GD T50°C EEx ia IIC T6 or resp.

II 1/2 GD T95°C EEx ia IIC T4

Supply and signal circuit type of protection Intrinsic Safety

EEx ib IIB/IIC resp. EEx ia IIB/IIC

for connection to FISCO supply units with rectangular or

trapezoidal characteristics with maximum values:

II 1/2 G EEx ia respectively ib IIC T4/T6 $U_i = 17.5V$

$I_i = 360mA$

$P_i = 2.52W$

II 1/2 G EEx ia respectively ib IIB T4/T6 $U_i = 17.5V$

$I_i = 380mA$

$P_i = 5.32W$

resp. for connection to supply unit or barrier with linear characteristics with maximum values:

II 1/2 G EEx ia respectively ib IIC T4/T6	$U_i = 24V$
	$I_i = 250mA$
	$P_i = 1.2W$

effective internal inductance $L_i \leq 10 \mu H$,

effective internal capacitance $C_i = 0$

Maximum permissible ambient temperatures depending on the temperature class:

T4: $-40^\circ C$ to $+85^\circ C$ ($-40^\circ F$ to $+185^\circ F$)

T5, T6: $-40^\circ C$ to $+40^\circ C$ ($-40^\circ F$ to $+104^\circ F$)

- Transmitters of the type of protection "flameproof enclosure EEx d" according to the directions 94 / 9 / EC (ATEX)

Transmitter with 4 to 20mA output signal and HART communication

and Fieldbus transmitters (PROFIBUS PA / FOUNDATION Fieldbus)

Marking (DIN EN 50 014): II 1/2 G EEx d IIC T6

Ambient temperature range: $-40^\circ C$ to $+75^\circ C$ ($-40^\circ F$ to $+167^\circ F$)

- Transmitters of category 3 for the application in "Zone 2"
Transmitter with 4 to 20mA output signal and HART communication
according to the directions 94 / 9 / EC (ATEX)

Marking (DIN EN 50 014): II 3 GD T50°C EEx nL IIC T6 or resp.

II 3 GD T95°C EEx nL IIC T4

Operating conditions:

Supply and signal circuit (terminals signal +/-): $U \leq 45V$

$I \leq 22.5mA$

Ambient temperature range:

Temperature class T4 $T_a = -40^\circ C$ to $+85^\circ C$ ($-40^\circ F$ to $+185^\circ F$)

Temperature class T5, T6 $T_a = -40^\circ C$ to $+40^\circ C$ ($-40^\circ F$ to $+104^\circ F$)

- Factory Mutual (FM)

Transmitter with 4 to 20mA output signal and HART communication

Intrinsically safe: Class I; Division 1; Groups A, B, C, D;

Class I; Zone 0; Group IIC; AEx ia IIC

Degree of protection : NEMA Type 4X (indoor or outdoor)

Permissible ambient temperature depending on temperature class

$U_{max} = 30V, C_i = 10.5nF, L_i = 10\mu H$			
Ambient Temperature	Temperature class	I_{max}	P_i
$-40 \text{ to } +85^\circ C$ ($-40 \text{ to } +185^\circ F$)	T4	200mA	0.8W
$-40 \text{ to } +70^\circ C$ ($-40 \text{ to } +129^\circ F$)	T4	200mA	1W
$-40 \text{ to } +40^\circ C$ ($-40 \text{ to } +104^\circ F$)	T5	25mA	0.75W
$-40 \text{ to } +40^\circ C$ ($-40 \text{ to } +104^\circ F$)	T6	25mA	0.5W

Fieldbus transmitters (PROFIBUS PA/FOUNDATION Fieldbus)

Intrinsically Safe : Class I, II and III; Division 1; Groups A, B, C, D, E, F, G;

Class I; Zone 0, AEx ia Group IIC T6; T4

Non-incendive Class I, II and III, Division

2; Groups A, B, C, D, F, G

Transmitter with 4 to 20mA output signal and HART communication

and Fieldbus transmitters (PROFIBUS PA/FOUNDATION Fieldbus)

Explosion-Proof: Class I; Division 1; Groups A, B, C, D;

Class II/III, Division 1; Groups E, F, G

Degree of protection : NEMA Type 4X (indoor or outdoor)

- Canadian Standard (CSA)

Transmitter with 4 to 20mA output signal and HART communication

and Fieldbus transmitters (PROFIBUS PA/FOUNDATION Fieldbus)

Explosion-Proof: Class I; Division 1; Groups B, C, D

Class II; Division 1; Groups E, F, G

Class III

Degree of protection : NEMA Type 4X (indoor or outdoor)

Electrical Characteristics and Options

HART digital communication and 4 to 20mA output

Power Supply

The transmitter operates from 10.5 to 45VDC with no load and is protected against reverse polarity connection (additional load allows operations over 45VDC).

Minimum power supply is 14VDC with backlit indicator.

For EEx ia and other intrinsically safe approval power supply must not exceed 30VDC.

Ripple

Maximum permissible voltage ripple of power supply during the communication:

7Vpp at f = 50 to 100Hz

1Vpp at f = 100 to 200Hz

0.2Vpp at f = 200 to 300Hz

Load limitations

4 to 20mA and HART total loop resistance :

$$R(\text{k}\Omega) = \frac{\text{Supply voltage} - \text{min. operating voltage (VDC)}}{22.5}$$

A minimum of 250Ω is required for HART communication.

Optional indicators

Integral display

2-line, 6-character 19-segment alphanumeric display with additional bar chart display, optionally with back illumination. User-specific display:

percentage of the output current or

output current in mA or

free process variable

Diagnostic message, alarms, measuring range infringements and changes in the configuration are also displayed.

Optional surge protection

Up to 4kV

- voltage 1.2μs rise time / 50μs delay time to half value

- current 8μs rise time / 20μs delay time to half value

Output signal

Two-wire 4 to 20mA, user-selectable for linear or freely programmable with 20 reference points output.

HART® communication provides digital process variable (% , mA or engineering units) superimposed on 4 to 20mA signal, with protocol based on Bell 202 FSK standard.

Output current limits (to NAMUR standard)

Overload condition

- Lower limit: 3.8mA (configurable down to 3.5mA)

- Upper limit: 20.5mA (configurable up to 22.5mA)

Alarm current

Min. alarm current: configurable from 3.5mA to 4mA,
standard setting: 3.6mA

Max. alarm current: configurable from 20mA to 22.5mA,
standard setting: 21mA

Standard setting: max. alarm current

PROFIBUS PA output

Power supply

The transmitter operates from 10.2 to 32VDC with no polarity.

For EEx ia approval power supply must not exceed 17.5VDC. Intrinsic safety installation according to FISCO model.

Current consumption

operating (quiescent): 11.7mA

fault current limiting: 17.3mA max.

Output signal

Physical layer in compliance to IEC 1158-2/EN 61158-2 with transmission to Manchester II modulation, at 31.25kbit/sec.

Output interface

PROFIBUS PA communication according to Profibus DP50170 Part 2/ DIN 19245 part 1-3 compliant to Profiles 3.0 Class A & B for pressure transmitter.

Output update time

40ms

Function blocks

1 analog input, 1 transducer, 1 physical

Integral display

2-line, 6-character 19-segment alphanumeric display with additional bar chart display, optionally with back illumination. User-specific display:

percentage of the output or

OUT (analog input function block)

Diagnostic message, alarms, measuring range infringements and changes in the configuration are also displayed.

Transmitter failure mode

Permanent self-diagnostic; possible errors indicated in diagnostic parameters and in the status of process values.

FOUNDATION Fieldbus output

Power supply

The transmitter operates from 10.2 to 32VDC polarity independent.

For EEx ia approval power supply must not exceed 24VDC (entity certification) or 17.5VDC (FISCO certification), according to FF-816.

Current consumption

operating (quiescent): 11.7mA

fault current limiting: 17.3mA max.

Output signal

Physical layer in compliance to IEC 1158-2/EN 61158-2 with transmission to Manchester II modulation, at 31.25kbit/sec.

Function blocks/execution period

1 standard Analog Input block/25ms max

Additional blocks

Transducer block, 1 standard Resource block,

1 custom Pressure with calibration block

Number of link objects

10

Number of VCRs

16

Output interface

FOUNDATION fieldbus digital communication protocol to standard H1, compliant to specification V. 1.5; FF registration in progress.

Integral display

2-line, 6-character 19-segment alphanumeric display with additional bar chart display, optionally with back illumination. User-specific display:

percentage of the output or

OUT (analog input function block)

Diagnostic message, alarms, measuring range infringements and changes in the configuration are also displayed.

Transmitter failure mode

Permanent self-diagnostic; possible errors indicated in diagnostic parameters and in the status of process values.

Performance specifications

Stated at reference condition to IEC 60770 ambient temperature of 20°C (68°F), relative humidity of 65%, atmospheric pressure of 1013hPa (1013mbar), zero based range for transmitter with isolating diaphragms ceramic or Hastelloy and silicone oil fill and HART digital trim values equal to 4–20mA span end points, in linear mode.

Unless otherwise specified, errors are quoted as % of span.

Some performance data are affected by the actual turndown (TD) as ratio between Upper Range Limit (URL) and calibrated span.

IT IS RECOMMENDED TO SELECT THE TRANSMITTER SENSOR CODE PROVIDING THE TURNDOWN VALUE AS LOWEST AS POSSIBLE TO OPTIMIZE PERFORMANCE CHARACTERISTICS.

Dynamic performance (according to IEC 61298–1 definition)

Dead time: 30ms

Time constant (63.2% of total step change):

– 150 ms for all sensors

Accuracy rating

% of calibrated span, including combined effects of terminal based linearity, hysteresis and repeatability.

For fieldbus versions SPAN refer to analog input function block outscale range

– $\pm 0.075\%$ for TD from 1:1 to 10:1

– $\pm (0.075 + 0.005 \times \frac{\text{URL}}{\text{Span}} - 0.05)\%$ for TD greater than 10:1

Operating influences

Ambient temperature (for turndown up to 15:1)

per 20K (36°F) change between the limits of –20°C to +65°C (–4 to +150°F)

– $\pm(0.04\% \text{ URL} + 0.065\% \text{ span})$

Supply voltage

Within voltage/load specified limits the total effect is less than 0.001% of URL per volt.

Load

Within load/voltage specified limits the total effect is negligible.

Radio frequency interference

Total effect : less than 0.05% of span from 20 to 1000MHz and for field strengths up to 10V/m when tested with unshielded conduit, with or without meter.

Common mode interference

No effect from 250Vrms @ 50Hz, or 50VDC

Mounting position

No effect

Stability

$\pm 0.10\%$ of URL over a thirty-six-month period

Vibration effect

$\pm 0.10\%$ of URL (according to IEC 61298–3)

Physical Specification

(Refer to ordering information sheets for variant availability related to specific model or versions code)

Materials

Process isolating diaphragms (*)

Ceramic (Al2O3) gold-plated; Hastelloy C276™;

Hastelloy C276™ gold-plated; AISI 316 L ss.

Process connection (*)

AISI 316 L ss; Hastelloy C276™.

Gasket (only for sensor codes C, F) (*)

Viton™, Perfluoroelastomer, Perbunan (NBR).

Sensor fill fluid

Silicone oil; inert fill (Carbon fluoride); white oil (FDA).

Mounting bracket

AISI 316 L ss.

Sensor housing

AISI 316 L ss.

Electronic housing and covers

Barrel version

– Low-copper content aluminium alloy with baked epoxy finish;

– AISI 316 L ss.

DIN version

– Low-copper content aluminium alloy with baked epoxy finish.

Covers O-ring

Viton™.

Local zero and span adjustments

Glass filled polycarbonate plastic (removable).

Tagging

AISI 316ss or plastic data plate attached to the electronics housing.

Calibration

Standard: at maximum span, zero based range, ambient temperature and pressure;

Optional: at specified range and ambient conditions; or at operating temperature.

Optional extras

Mounting brackets

For vertical and horizontal 50mm. (2in) pipes or wall mounting.

Integral display

plug-in rotatable LCD indicator

Supplemental customer tag

AISI 316 ss tag fastened to the transmitter with stainless steel wire for customer's tag data up to a maximum of 30 characters and spaces.

Surge protection (not available with PROFIBUS PA and FF output)

Cleaning procedure for oxygen service (not for sensor V)

Test Certificates (test, design, calibration, material traceability)

Tag and manual language

Communication connectors

Process connections

1/2in NPT female or male; DIN EN837-1 G 1/2in Form B or Form D for convex seal; front bonded diaphragm; for ball valve.

Electrical connections

Two 1/2 NPT or M20x1.5 threaded conduit entries, direct on housing.

Special communication connector (on request)

– HART : straight or angle Harting HAN connector and one plug.

– FOUNDATION Fieldbus and PROFIBUS PA: M12x1 or 7/8.

Terminal block

HART version: four terminals for signal/external meter wiring up to 2.5mm² (14AWG) and four connection points for test and communication purposes.

Fieldbus versions: two terminals for signal (bus connection) wiring up to 2.5mm² (14AWG).

Grounding

Internal and external 4mm² (12AWG) ground termination points are provided.

Mounting position

Transmitter can be mounted in any position.

Electronics housing may be rotated to any position. A positive stop prevents over travel.

Mass (without options)

1.2kg approx (3lb); add 1.5kg (3.4lb) for AISI housing.

Add 650g (1.5lb) for packing.

Packing

Carton 24 x 14 x 19cm approx (10 x 6 x 8in).

Configuration

Transmitter with HART communication and 4 to 20 mA

Standard configuration

Transmitters are factory calibrated to customer's specified range. Calibrated range and tag number are stamped on the type plate. If calibration range and tag data are not specified, the transmitter will be supplied configured as follows:

4 mA	Zero
20 mA	Upper Range Limit (URL)
Output	Linear
Damping	0.125s
Transmitter failure mode	21mA

Any or all the above configurable parameters, including Lower range-value and Upper range-value which must be the same unit of measure, can be easily changed using the HART hand-held communicator or by a PC running the configuration software Smart Vision with DTM for 2600T.

The transmitter database is customized with specified flange type and material, o-ring and filling liquid.

Transmitter with PROFIBUS PA communication

Transmitters are factory calibrated to customer's specified range. Calibrated range and tag number are stamped on the type plate. If calibration range and tag data are not specified, the transmitter will be supplied configured as follows:

Measure Profile	Pressure
Engineering Unit	mbar/bar
Output scale 0%	Lower Range Limit (LRL)
Output scale 100%	Upper Range Limit (URL)
Output	Linear
Hi-Hi Limit	Upper Range Limit (URL)
Hi Limit	Upper Range Limit (URL)
Low Limit	Lower Range Limit (LRL)
Low-Low Limit	Lower Range Limit (LRL)
Limits hysteresis	0.5% of output scale
PV filter	0.125s.
Address	126

Any or all the above configurable parameters, including Lower range-value and Upper range-value which must be the same unit of measure, can be easily changed by a PC running the configuration software Smart Vision with DTM for 2600T.

The transmitter database is customized with specified flange type and material, o-ring and filling liquid.

Transmitter with FOUNDATION Fieldbus communication

Transmitters are factory calibrated to customer's specified range. Calibrated range and tag number are stamped on the type plate. If calibration range and tag data are not specified, the transmitter will be supplied configured as follows:

Measure Profile	Pressure
Engineering Unit	mbar/bar
Output scale 0%	Lower Range Limit (LRL)
Output scale 100%	Upper Range Limit (URL)
Output	Linear
Hi-Hi Limit	Upper Range Limit (URL)
Hi Limit :	Upper Range Limit (URL)
Low Limit	Lower Range Limit (LRL)
Low-Low Limit	Lower Range Limit (LRL)
Limits hysteresis	0.5% of output scale
PV filter	0.125s
Address	Not necessary

Any or all the above configurable parameters, including lower range value and upper range value which must be the same unit of measure, can be changed by any FOUNDATION Fieldbus compatible configurator.

The transmitter database is customized with specified flange type and material, o-ring and filling liquid.

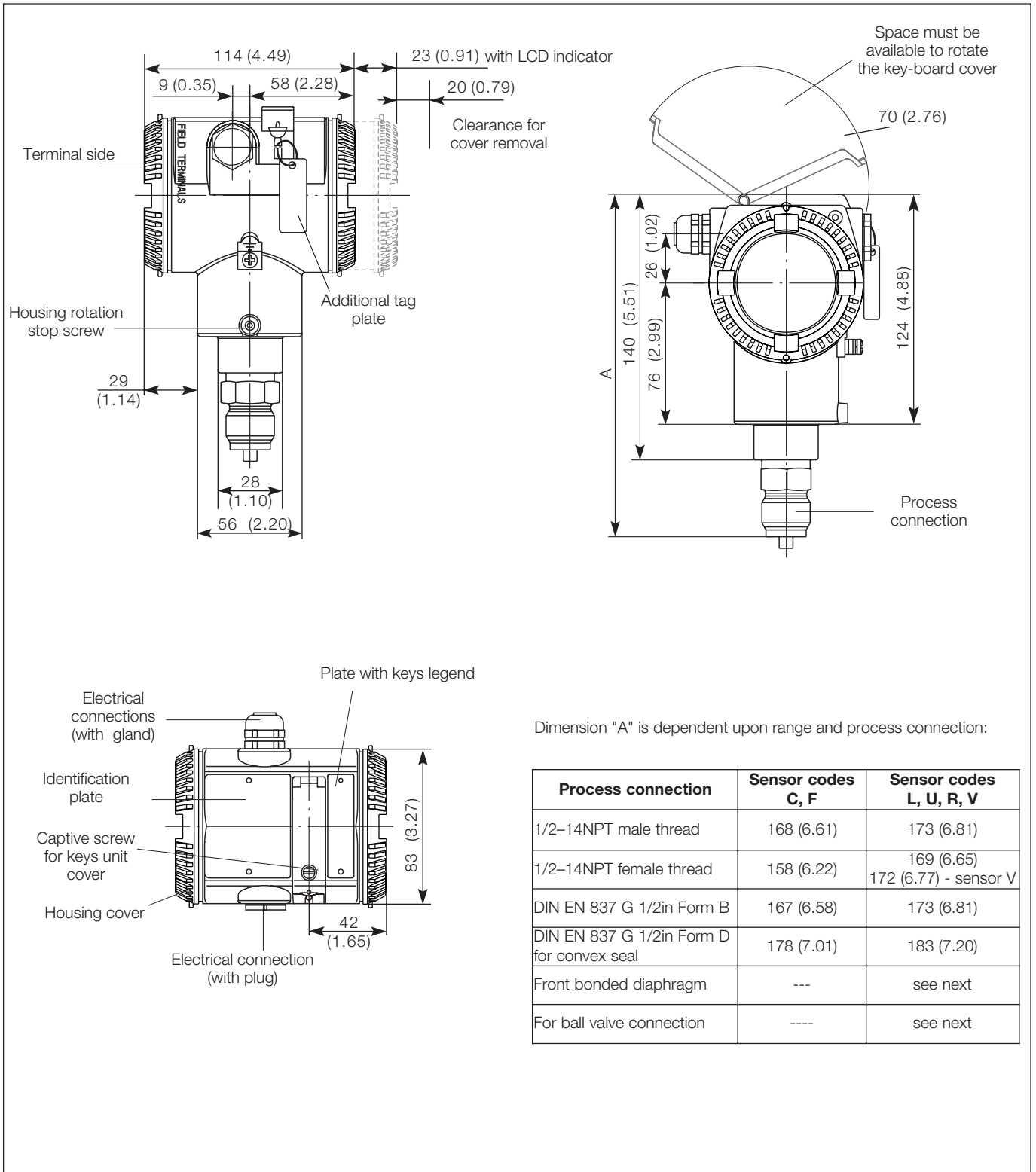
™ Hastelloy is a Cabot Corporation trademark

™ Viton is a Dupont de Nemour trademark

(*) Wetted parts of the transmitter.

MOUNTING DIMENSIONS (not for construction unless certified) – dimensions in mm (in)

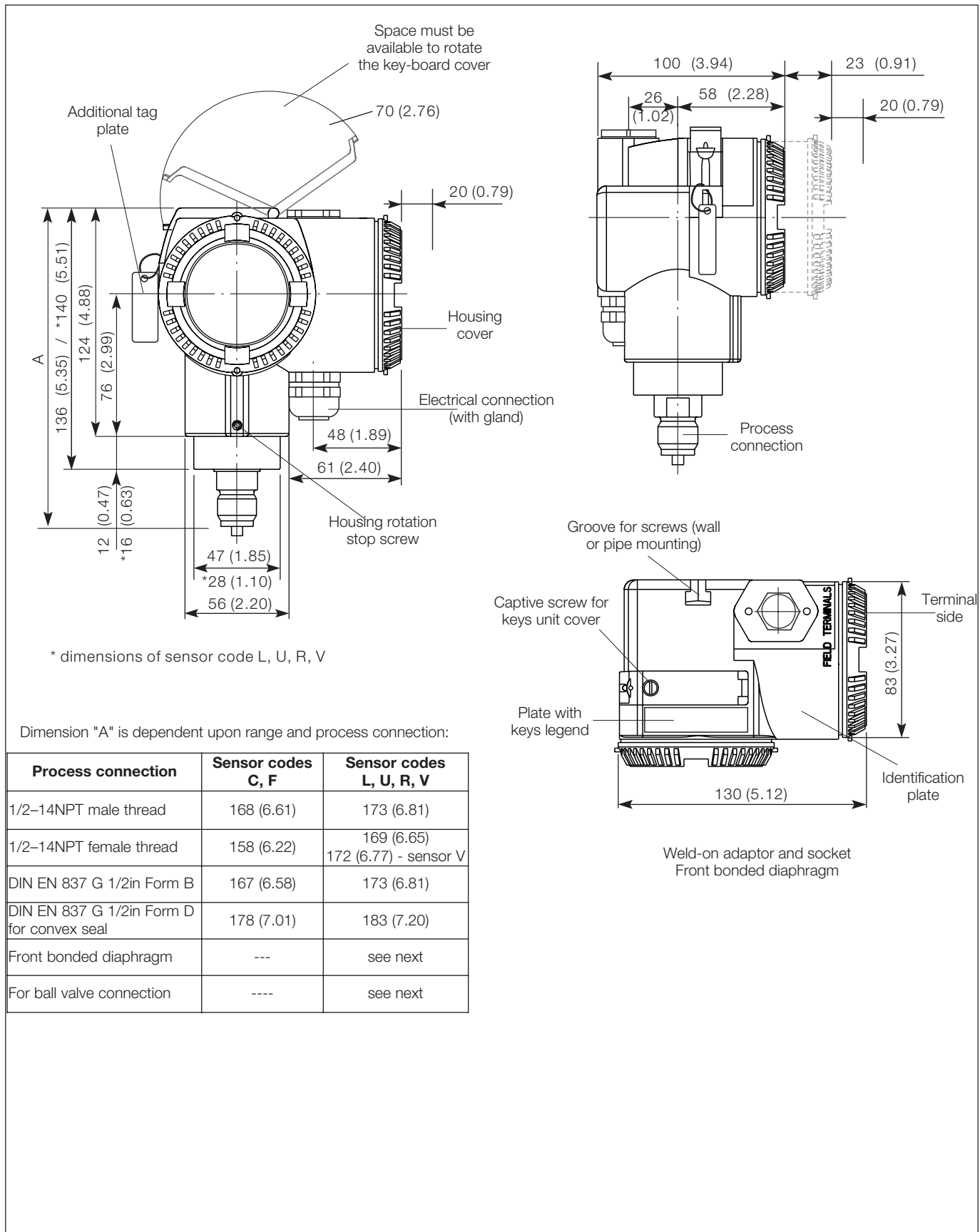
Transmitter with barrel housing



Dimension "A" is dependent upon range and process connection:

Process connection	Sensor codes C, F	Sensor codes L, U, R, V
1/2–14NPT male thread	168 (6.61)	173 (6.81)
1/2–14NPT female thread	158 (6.22)	169 (6.65) 172 (6.77) - sensor V
DIN EN 837 G 1/2in Form B	167 (6.58)	173 (6.81)
DIN EN 837 G 1/2in Form D for convex seal	178 (7.01)	183 (7.20)
Front bonded diaphragm	---	see next
For ball valve connection	----	see next

Transmitter with DIN housing

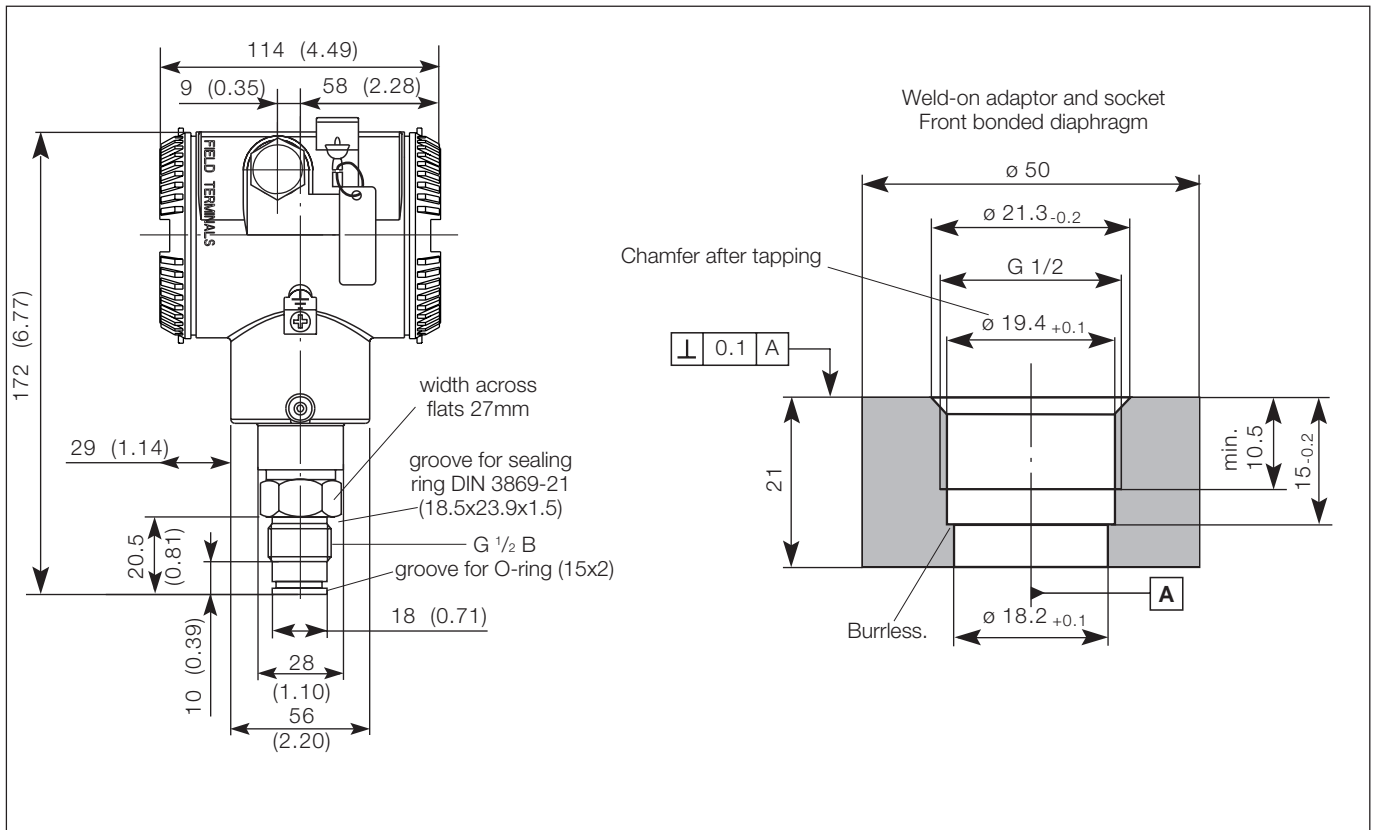


* dimensions of sensor code L, U, R, V

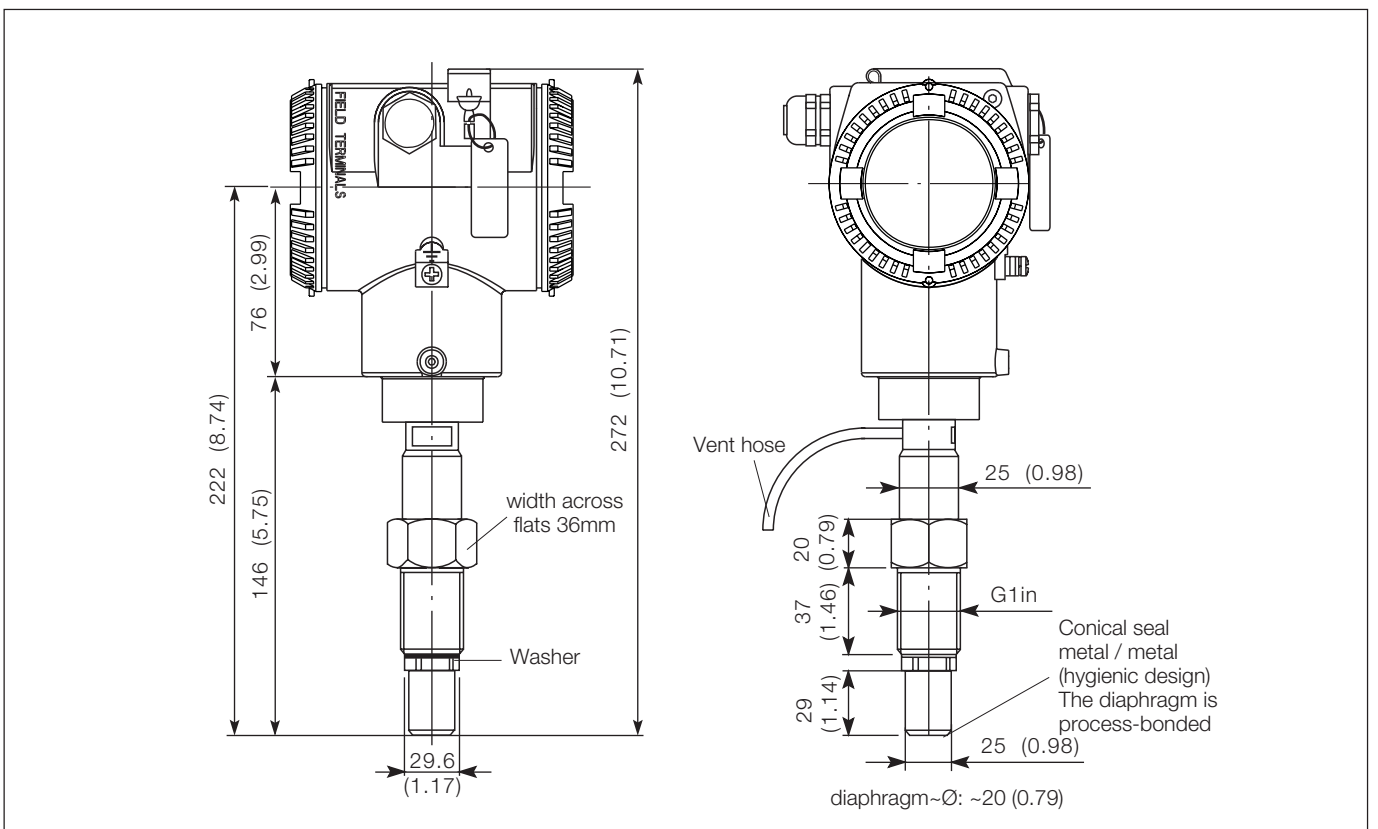
Dimension "A" is dependent upon range and process connection:

Process connection	Sensor codes C, F	Sensor codes L, U, R, V
1/2-14NPT male thread	168 (6.61)	173 (6.81)
1/2-14NPT female thread	158 (6.22)	169 (6.65) 172 (6.77) - sensor V
DIN EN 837 G 1/2in Form B	167 (6.58)	173 (6.81)
DIN EN 837 G 1/2in Form D for convex seal	178 (7.01)	183 (7.20)
Front bonded diaphragm	---	see next
For ball valve connection	----	see next

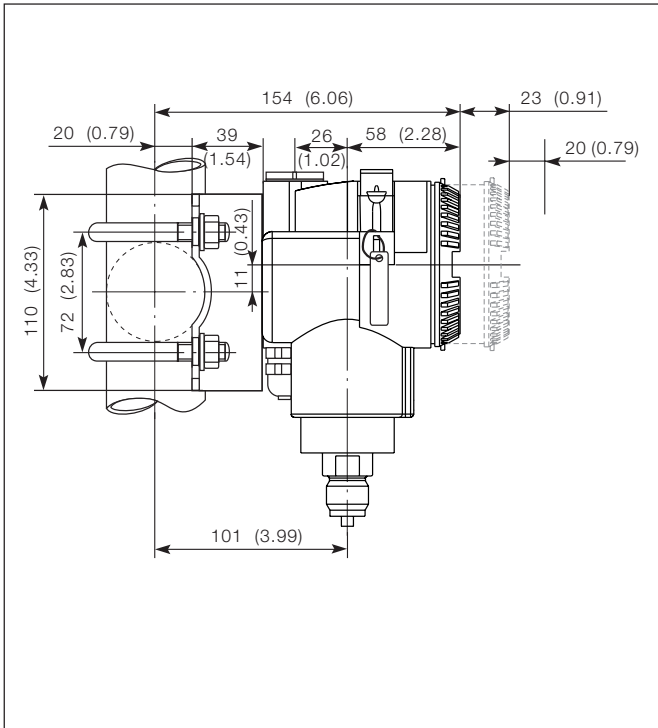
Transmitter with front bonded diaphragm (Barrel housing)



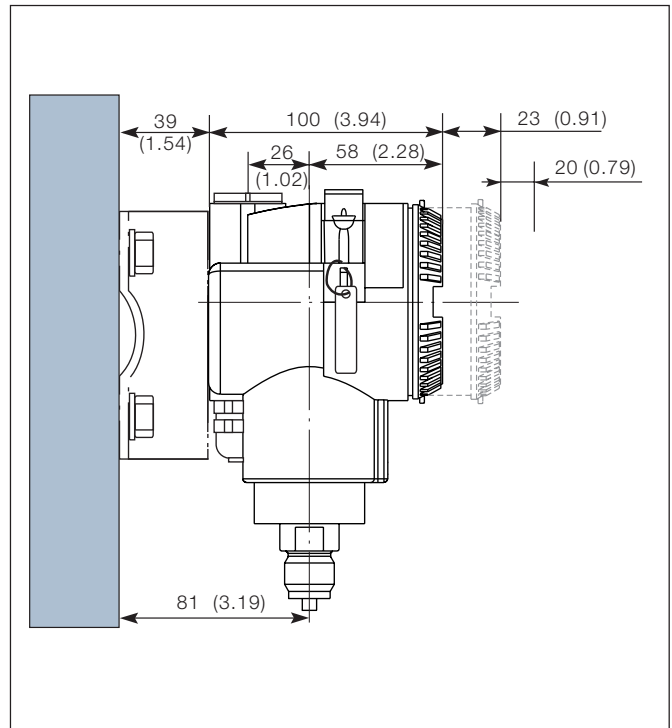
Transmitter with ball valve connection (Barrel housing)



Possible mounting with bracket (optional) for DIN housing

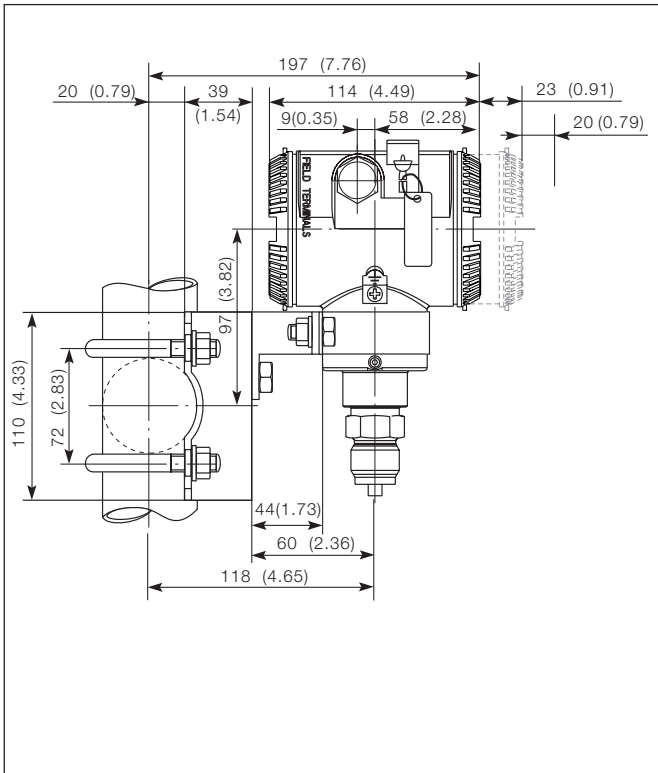


Pipe mounting

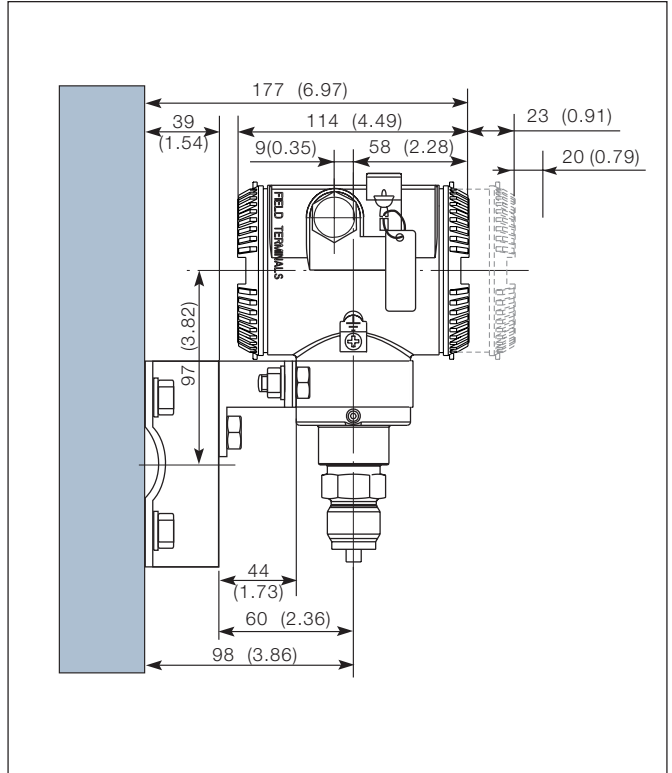


Wall mounting

Possible mounting with bracket (optional) for Barrel housing



Pipe mounting

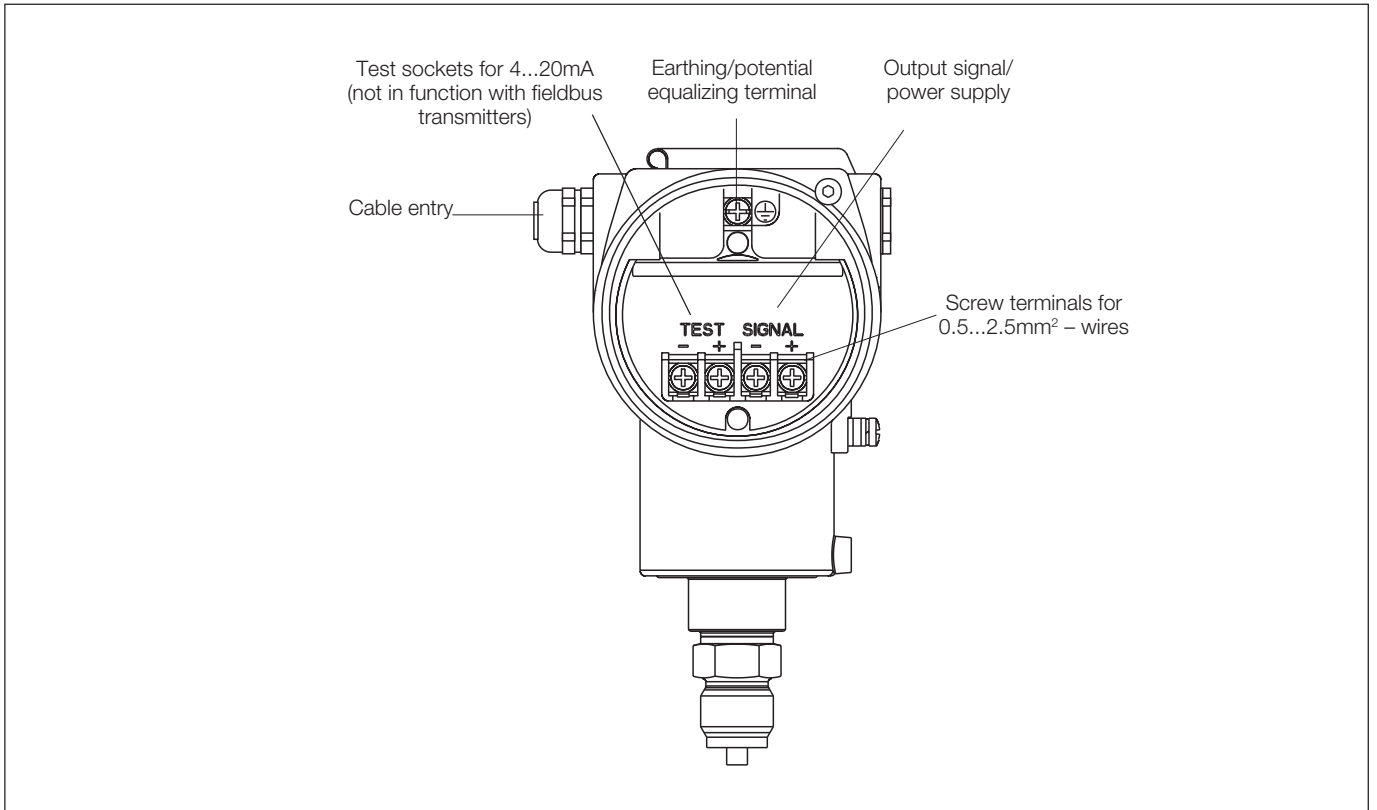


Wall mounting

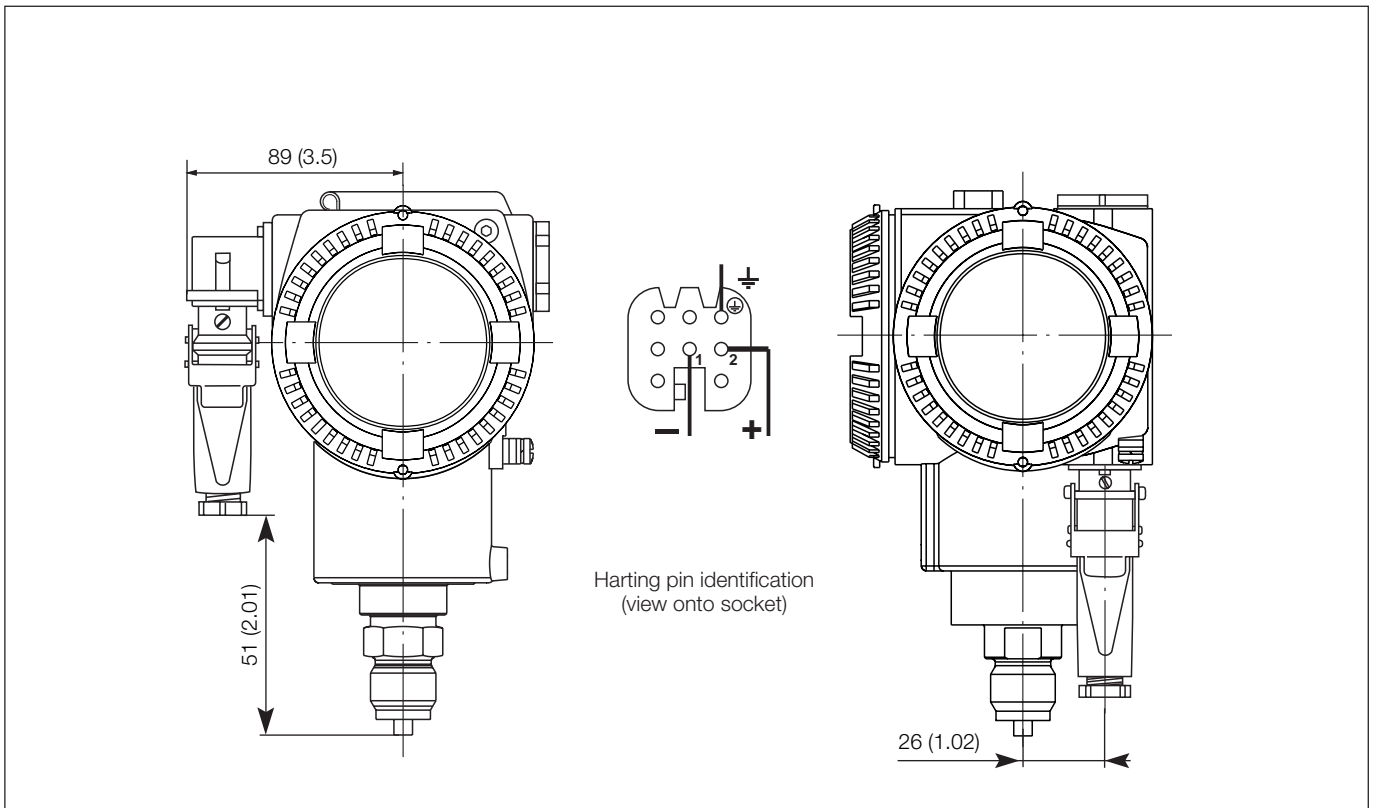
Note : Bracket both for pipe and wall mounting provides four holes of 11mm (0.44in) diameter on square with 72mm (2.84in) side

Electrical connections

Standard Terminal block



Harting HAN connector



BASIC ORDERING INFORMATION model 263GS Gauge Pressure Transmitter

Select one character or set of characters from each category and specify complete catalog number.

Refer to additional ordering information code and specify one or more codes for each transmitter if additional options are required.

BASE MODEL – 1 st to 5 th characters				2	6	3	G	S	X	X	X	X	X	X
Gauge Pressure Transmitter – BASE ACCURACY 0.075%														
SENSOR - Span limits – 6th character														
0.2 and 6kPa	2 and 60mbar	0.8 and 24inH ₂ O							C					
0.4 and 40kPa	4 and 400mbar	1.6 and 160inH ₂ O							F					
2.5 and 250kPa	25 and 2500mbar	10 and 1000inH ₂ O							L					
30 and 3000kPa	0.3 and 30bar	4.35 and 435psi							U					
100 and 10000kPa	1 and 100bar	14.5 and 1450psi							R					
600 and 60000 kPa	6 and 600bar	87 and 8700psi							V					
Diaphragm material / Fill fluid (wetted parts) – 7th character														
AISI 316 L ss	Silicone oil	(Note 2) only for front bonded diaphragm							NACE	S				
Hastelloy C276™	Silicone oil	(Note 2)							NACE	K				
Hastelloy C276™ gold-plated	Silicone oil	(Note 2)							NACE	G				
AISI 316 L ss	Inert fluid	(Notes 1, 2) only for front bonded diaphragm							NACE	A				
Hastelloy C276™	Inert fluid	(Notes 1, 2)							NACE	F				
Hastelloy C276™ gold-plated	Inert fluid	(Notes 1, 2)							NACE	E				
AISI 316 L ss	White oil (FDA)	(Note 2) only for front bonded diaphragm							NACE	N				
Hastelloy C276™	White oil (FDA)	(Note 2)							NACE	Z				
Ceramic	No filling	(Note 3)							NACE	J				
Process connection material (wetted parts) – 8th character														
AISI 316 L ss	1/2in NPT female								NACE	B				
AISI 316 L ss	DIN EN837-1 G 1/2in B								NACE	P				
AISI 316 L ss	G 1/2in front bonded diaphragm	(Note 2)							NACE	S				
AISI 316 L ss	1/2in NPT male								NACE	T				
AISI 316 L ss	DIN EN837-1 G 1/2in D								NACE	U				
AISI 316 L ss	For ball valve connection	(Note 2)							NACE	V				
Hastelloy C276™	1/2in NPT female								NACE	E				
Hastelloy C276™	DIN EN837-1 G 1/2in B								NACE	D				
Hastelloy C276™	1/2in NPT male								NACE	K				
Hastelloy C276™	DIN EN837-1 G 1/2in D								NACE	Y				
Gasket – 9th character														
Viton™	(Notes 1, 3)								NACE				5	
Perfluoroelastomer (MWP=0.6MPa)	(Note 3)								NACE				6	
Perbunan	(Note 3)												8	
None	(Note 2)								NACE				N	
Housing material and electrical connection – 10th character														
Aluminium alloy (Barrel version)	1/2in NPT													A
Aluminium alloy (Barrel version)	M20 x 1.5 (CM 20)	(Not available FM, CSA)												B
Aluminium alloy (Barrel version)	Harting HAN connector	(Note 4) (Not available ATEX EExd, FM, CSA)												E
Aluminium alloy (Barrel version)	Fieldbus connector	(Note 4) (Not available ATEX EExd, FM, CSA)												G
AISI 316 L ss (Barrel version)	1/2in NPT													S
AISI 316 L ss (Barrel version)	M20 x 1.5 (CM 20)	(Not available FM, CSA)												T
Aluminium alloy (DIN version)	M20 x 1.5 (CM 20)	(Not available FM, CSA)												J
Aluminium alloy (DIN version)	Harting HAN connector	(Note 4) (Not available ATEX EExd, FM, CSA)												K
Aluminium alloy (DIN version)	Fieldbus connector	(Note 4) (Not available ATEX EExd, FM, CSA)												W
Output/Additional options – 11th character														
HART digital communication and 4 to 20mA	No additional options	(Note 5, 6)												H
HART digital communication and 4 to 20mA	Options requested (to be ordered by "Additional ordering code")	(Note 5)												1
PROFIBUS PA	No additional options	(Note 5, 6)												P
PROFIBUS PA	Options requested (to be ordered by "Additional ordering code")	(Note 6)												2
FOUNDATION Fieldbus	No additional options	(Note 5, 6)												F
FOUNDATION Fieldbus	Options requested (to be ordered by "Additional ordering code")	(Note 6)												3

ADDITIONAL ORDERING INFORMATION for model 263GS

Add one or more 2-digit code(s) after the basic ordering information to select all required options

	XX	XX	XX	XX	XX	XX	XX	XX	XX	XX
Electrical certification										
ATEX Group II Category 1/2 GD – Intrinsic Safety EEx ia	E1									
ATEX Group II Category 1/2 G – Flameproof EEx d (Note 2)	E2									
ATEX Group II Category 3 GD – Type of protection "N" EEx nL design compliance	E3									
Factory Mutual (FM) – Intrinsically Safe	EA									
Factory Mutual (FM) – Explosion Proof (only with 1/2in NPT electrical connection and SS label) (Note 2)	EB									
Canadian Standard Association – Intrinsically Safe	ED									
Canadian Standard Association – Explosion Proof (Note 2)	EE									
Integral LCD										
Digital LCD integral display	L1									
Backlit digital LCD integral display	L2									
Mounting bracket (shape and material)										
For pipe mounting AISI 316 L ss	B2									
For wall mounting AISI 316 L ss	B4									
Surge										
Surge/Transient Protector (Note 7)				S1						
Operating manual										
German					M1					
Labels & tag language										
German in stainless steel (not available with DIN Electronic Housing code J, K, W)						T1				
German and English plastic (not suitable for Factory Mutual - Explosion Proof)						TA				
Additional tag plate										
In stainless steel							I1			
Preparation procedure										
Oxygen service cleaning (only available with inert fill and for sensor code C, F Viton gasket – P _{max} =21MPa/210bar/3045psi; T _{max} =60° C/140° F)								P1		
Certificates										
Inspection certificate EN 10204–3.1.B of calibration									C1	
Inspection certificate EN 10204–3.1.B of the cleanliness stage according to DIN 25410									C3	
Inspection certificate EN 10204–3.1.B of helium leakage test of the sensor module									C4	
Inspection certificate EN 10204–3.1.B of the pressure test									C5	
Certificate of compliance with the order EN 10204–2.1 of instrument design									C6	
Germanischer Lloyd approval									C8	
Material traceability										
Certificate of compliance with the order EN 10204–2.1 of process wetted parts										H1
Inspection certificate EN 10204–3.1.B of process wetted parts										H3
Test report EN 10204-2.2 of the pressure bearing and process wetted parts										H4
Connector										
Fieldbus 7/8 (Notes 6, 8)										U1
Fieldbus M12x1 (Notes 6, 8)										U2
Harting HAN – straight entry (Notes 5, 8)										U3
Harting HAN – angle entry (Notes 5, 9)										U4

- Note 1: Suitable for oxygen service
- Note 2: Not available with Sensor code C, F
- Note 3: Not available with Sensor code L, U, R, V
- Note 4: Select type in additional ordering code
- Note 5: Not available with Electronic Housing code G, W
- Note 6: Not available with Electronic Housing code E, K
- Note 7: Not available with PROFIBUS PA and FF output code 2 or 3
- Note 8: Not available with Electronic housing code T, S, A, B, J
- Note 9: Not available with Electronic housing code T, S, A, B, J, K

™ Hastelloy is a Cabot Corporation trademark

™ Viton is a Dupont de Nemour trademark

Standard delivery items (can be differently specified by additional ordering code)

- General purpose (no electrical certification)
- No meter/display, no mounting bracket, no surge protection
- English manual and labels (stainless steel nameplate for Barrel housing code A, B, E, G, S, T; plastic nameplate for DIN housing code J, K, W)
- Configuration with kPa and deg. C units
- No test, inspection or material traceability certificates

THE SELECTION OF SUITABLE WETTED PARTS AND FILLING FLUID FOR COMPATIBILITY WITH THE PROCESS MEDIA IS A CUSTOMER'S RESPONSIBILITY, IF NOT OTHERWISE NOTIFIED BEFORE MANUFACTURING.

BASIC ORDERING INFORMATION model 263AS Absolute Pressure Transmitter

Select one character or set of characters from each category and specify complete catalog number.

Refer to additional ordering information code and specify one or more codes for each transmitter if additional options are required.

BASE MODEL – 1 st to 5 th characters			2	6	3	A	S	X	X	X	X	X	X
Absolute Pressure Transmitter – BASE ACCURACY 0.075%													
SENSOR - Span limits – 6th character													
0.3 and 6kPa	3 and 60mbar	2.25 and 45mmHg						C					
2 and 40kPa	20 and 400mbar	15 and 300mmHg						F					
12.5 and 250kPa	125 and 2500mbar	93.8 and 1875mmHg						L					
150 and 3000kPa	1.5 and 30bar	21.7 and 435psi						U					
Diaphragm material / Fill fluid (wetted parts) – 7th character													
AISI 316 L ss	Silicone oil	(Note 2) only for front bonded diaphragm						NACE	S				
Hastelloy C276™	Silicone oil	(Note 2)						NACE	K				
Hastelloy C276™ gold-plated	Silicone oil	(Note 2)						NACE	G				
AISI 316 L ss	Inert fluid	(Notes 1, 2) only for front bonded diaphragm						NACE	A				
Hastelloy C276™	Inert fluid	(Notes 1, 2)						NACE	F				
Hastelloy C276™ gold-plated	Inert fluid	(Notes 1, 2)						NACE	E				
AISI 316 L ss	White oil (FDA)	(Note 2) only for front bonded diaphragm						NACE	N				
Hastelloy C276™	White oil (FDA)	(Note 2)						NACE	Z				
Ceramic	No filling	(Note 3)						NACE	J				
Process connection material (wetted parts) – 8th character													
AISI 316 L ss	1/2in NPT female							NACE	B				
AISI 316 L ss	DIN EN837-1 G 1/2in B							NACE	P				
AISI 316 L ss	G 1/2in front bonded diaphragm	(Note 2)						NACE	S				
AISI 316 L ss	1/2in NPT male							NACE	T				
AISI 316 L ss	DIN EN837-1 G 1/2in D							NACE	U				
AISI 316 L ss	For ball valve connection	(Note 2)						NACE	V				
Hastelloy C276™	1/2in NPT female							NACE	E				
Hastelloy C276™	DIN EN837-1 G 1/2in B							NACE	D				
Hastelloy C276™	1/2in NPT male							NACE	K				
Hastelloy C276™	DIN EN837-1 G 1/2in D							NACE	Y				
Gasket – 9th character													
Viton™	(Notes 1, 3)							NACE				5	
Perfluoroelastomer (MWP=0.6MPa)	(Note 3)							NACE				6	
Perbunan	(Note 3)											8	
None	(Note 2)							NACE				N	
Housing material and electrical connection – 10th character													
Aluminium alloy (Barrel version)	1/2in NPT												A
Aluminium alloy (Barrel version)	M20 x 1.5 (CM 20)	(Not available FM, CSA)											B
Aluminium alloy (Barrel version)	Harting HAN connector	(Note 4) (Not available ATEX EExd, FM, CSA)											E
Aluminium alloy (Barrel version)	Fieldbus connector	(Note 4) (Not available ATEX EExd, FM, CSA)											G
AISI 316 L ss (Barrel version)	1/2in NPT												S
AISI 316 L ss (Barrel version)	M20 x 1.5 (CM 20)	(Not available FM, CSA)											T
Aluminium alloy (DIN version)	M20 x 1.5 (CM 20)	(Not available FM, CSA)											J
Aluminium alloy (DIN version)	Harting HAN connector	(Note 4) (Not available ATEX EExd, FM, CSA)											K
Aluminium alloy (DIN version)	Fieldbus connector	(Note 4) (Not available ATEX EExd, FM, CSA)											W
Output/Additional options – 11th character													
HART digital communication and 4 to 20mA	No additional options	(Note 5, 6)											H
HART digital communication and 4 to 20mA	Options requested (to be ordered by "Additional ordering code")	(Note 5)											1
PROFIBUS PA	No additional options	(Note 5, 6)											P
PROFIBUS PA	Options requested (to be ordered by "Additional ordering code")	(Note 6)											2
FOUNDATION Fieldbus	No additional options	(Note 5, 6)											F
FOUNDATION Fieldbus	Options requested (to be ordered by "Additional ordering code")	(Note 6)											3

ADDITIONAL ORDERING INFORMATION for model 263AS

Add one or more 2-digit code(s) after the basic ordering information to select all required options

	XX	XX	XX	XX	XX	XX	XX	XX	XX	XX
Electrical certification										
ATEX Group II Category 1/2 GD – Intrinsic Safety EEx ia	E1									
ATEX Group II Category 1/2 G – Flameproof EEx d (Note 2)	E2									
ATEX Group II Category 3 GD – Type of protection "N" EEx nL design compliance	E3									
Factory Mutual (FM) – Intrinsically Safe	EA									
Factory Mutual (FM) – Explosion Proof (only with 1/2in NPT electrical connection and SS label) (Note 2)	EB									
Canadian Standard Association – Intrinsically Safe	ED									
Canadian Standard Association – Explosion Proof (Note 2)	EE									
Integral LCD										
Digital LCD integral display	L1									
Backlit digital LCD integral display	L2									
Mounting bracket (shape and material)										
For pipe mounting AISI 316 L ss	B2									
For wall mounting AISI 316 L ss	B4									
Surge										
Surge/Transient Protector (Note 7)	S1									
Operating manual										
German	M1									
Labels & tag language										
German in stainless steel (not available with DIN Electronic Housing code J, K, W)	T1									
German and English plastic (not suitable for Factory Mutual - Explosion Proof)	TA									
Additional tag plate										
In stainless steel	I1									
Preparation procedure										
Oxygen service cleaning (only available with inert fill and for sensor code C, F Viton gasket – P _{max} =21MPa/210bar/3045psi; T _{max} =60° C/140° F)	P1									
Certificates										
Inspection certificate EN 10204–3.1.B of calibration	C1									
Inspection certificate EN 10204–3.1.B of the cleanliness stage according to DIN 25410	C3									
Inspection certificate EN 10204–3.1.B of helium leakage test of the sensor module	C4									
Inspection certificate EN 10204–3.1.B of the pressure test	C5									
Certificate of compliance with the order EN 10204–2.1 of instrument design	C6									
Germanischer Lloyd approval	C8									
Material traceability										
Certificate of compliance with the order EN 10204–2.1 of process wetted parts	H1									
Inspection certificate EN 10204–3.1.B of process wetted parts	H3									
Test report EN 10204-2.2 of the pressure bearing and process wetted parts	H4									
Connector										
Fieldbus 7/8 (Notes 6, 8)	U1									
Fieldbus M12x1 (Notes 6, 8)	U2									
Harting HAN – straight entry (Notes 5, 8)	U3									
Harting HAN – angle entry (Notes 5, 9)	U4									

- Note 1: Suitable for oxygen service
- Note 2: Not available with Sensor code C, F
- Note 3: Not available with Sensor code L, U
- Note 4: Select type in additional ordering code
- Note 5: Not available with Electronic Housing code G, W
- Note 6: Not available with Electronic Housing code E, K
- Note 7: Not available with PROFIBUS PA and FF output code 2 or 3
- Note 8: Not available with Electronic housing code T, S, A, B, J
- Note 9: Not available with Electronic housing code T, S, A, B, J, K

™ Hastelloy is a Cabot Corporation trademark

™ Viton is a Dupont de Nemour trademark

Standard delivery items (can be differently specified by additional ordering code)

- General purpose (no electrical certification)
- No meter/display, no mounting bracket, no surge protection
- English manual and labels (stainless steel nameplate for Barrel housing code A, B, E, G, S, T; plastic nameplate for DIN housing code J, K, W)
- Configuration with kPa and deg. C units
- No test, inspection or material traceability certificates

THE SELECTION OF SUITABLE WETTED PARTS AND FILLING FLUID FOR COMPATIBILITY WITH THE PROCESS MEDIA IS A CUSTOMER'S RESPONSIBILITY, IF NOT OTHERWISE NOTIFIED BEFORE MANUFACTURING.

ABB has Sales & Customer Support expertise in over 100 countries worldwide

www.abb.com

The Company's policy is one of continuous product improvement and the right is reserved to modify the information contained herein without notice.

Printed in Italy (05.03)

© ABB 2002

SS/263GS/AS_2



ABB Ltd
Howard Road, St. Neots
Cambridgeshire, PE19 3EU
UK
Tel: +44(0)1480 475321
Fax: +44(0)1480 217948

ABB Inc.
125 E. County Line Road
Warminster, PA 18974
USA
Tel: +1 215 674 6000
Fax: +1 215 674 7183

ABB SACE spa
Business Unit Instrumentation
Via Statale 113
22016 Lenno (CO) Italy
Tel: +39 0344 58111
Fax: +39 0344 56278

ABB Automation Products GmbH
Schillerstrasse 72
D-32425 Minden
Germany
Tel: +49 (0) 571 830 1691
Fax: +49 (0) 571 830 1368