

1 2 3 4 5 6 7 8

A A

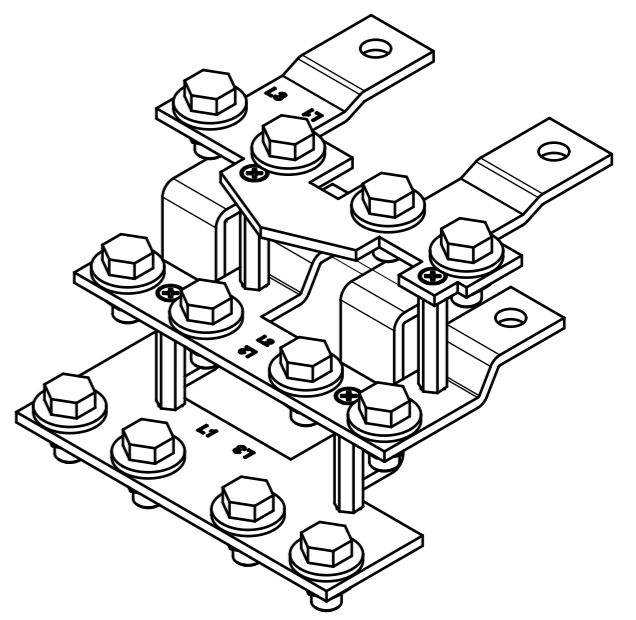
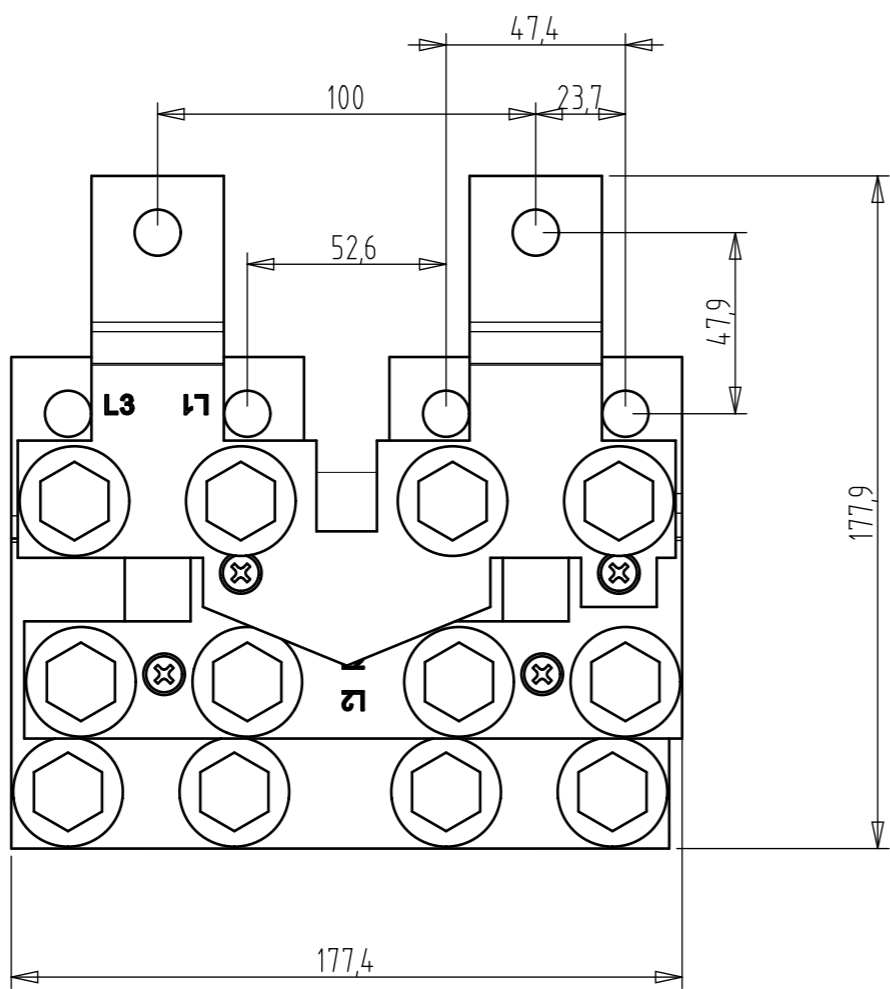
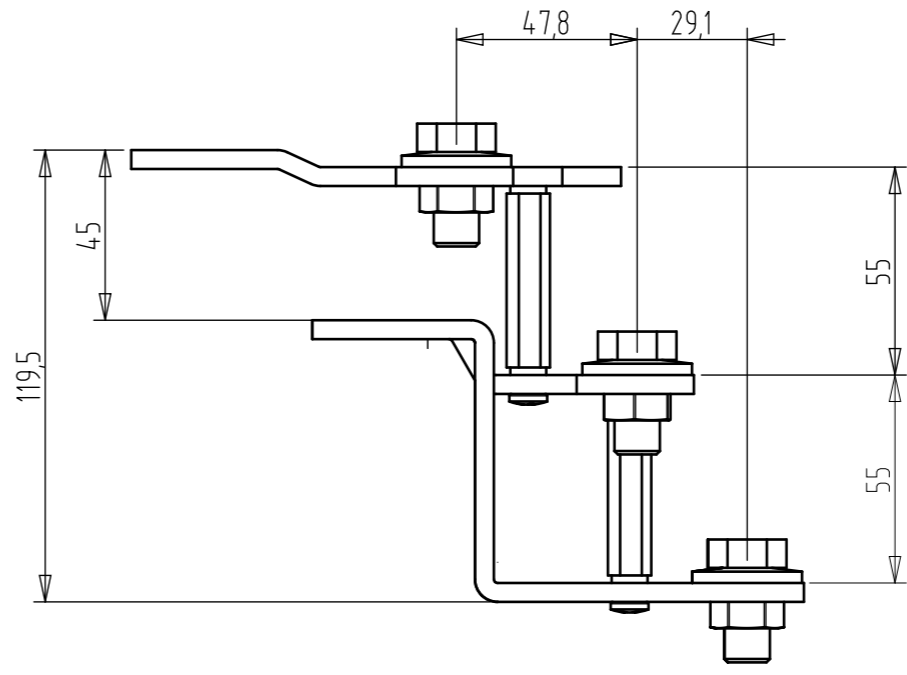
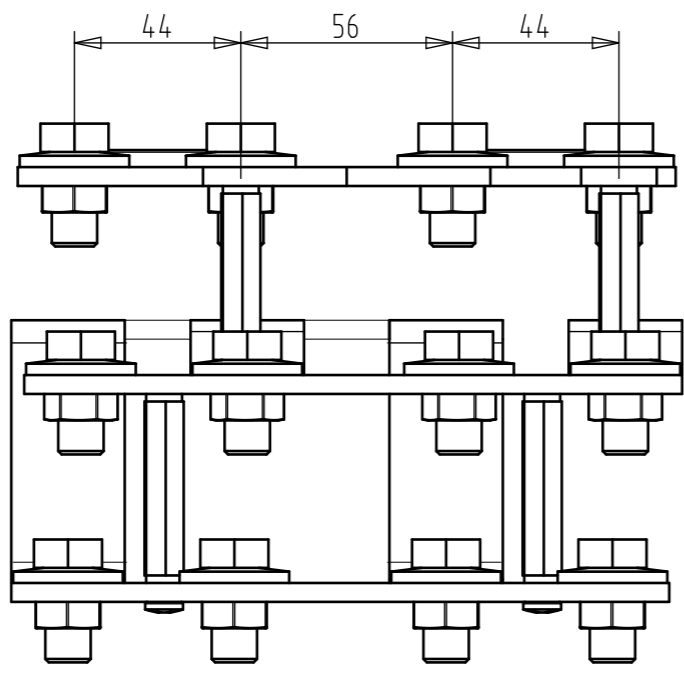
B B

C C

D D

E E

F F



SCALE 1:3

| | | | | | | |
|--|---|---|------------------------|---|-------------------|--------------|
| COLOR | | UNMARKED ROUNDINGS | UNMARKED DRAFTS | INSPECTED DIMENSIONS | | |
| RAW MATERIAL | | MATERIAL NORM | NET WEIGHT 1640,6 g | VOLUME 297,0 cm ³ AREA [.1] cm ² | | |
| CREATED 2020-06-29 Aleksii Primetta | | MODIFIED 2020-07-03 Aleksii Primetta | | APPROVED | | |
| ECN NUMBER | ECN DATE | CONCERNING | | DRAWING FILE 1SEB621071 A.1 | | |
| ORGANIZATION ABB Oy, Smart Power | | DEPARTMENT FIELSP | TOLERANCES | | | |
| ABB | TITLE (FI) | TYPE | SCALE 1:2 | FORMAT A3 | LANGUAGE EN/FI | SHEET 1/1 |
| | TITLE (EN) ZLBM123 Term. kit f/parallel Sw.M12 | | DOC. NO. | | | REV. A |

We reserve all rights in this document and in the information contained therein. Reproduction, use or disclosure to third parties without express authority is strictly forbidden. © Copyright 2020 ABB.

Pidätämme itsellemme kaikki oikeudet tähän asiakirjaan ja siihen liittyvään informaatioon. Asiakirjan toisintaminen, käyttö tai sen sisällön paljastaminen kolmannelle osapuolelle ilman nimenomaista suostumustamme on ehdottomasti kielletty. © Copyright 2020 ABB.

Proprietary and Secret Information

1 2 3 4 5 6 7 8