

# Type VOZ-11M Outdoor voltage transformer

## Product features

- 8.7 and 15 kV, outdoor
- 110 kV BIL, 60 Hertz
- Primary volts: 7200 - 14400
- Electrical clearances:
  - Strike: 9.0" (229 mm)
  - Creep: 25.0" (635 mm)
- Approximate weight: 70 lbs (32 kg)

## Application

The VOZ-11M outdoor voltage transformer is designed for outdoor metering and relaying applications.

## Construction features

The primary and secondary coils are wound using special winding and shielding techniques for improved voltage stress distribution. Each coil is carefully insulated with mylar film to provide a high dielectric medium between layers. The completed winding structure and double-loop cores are assembled to a support frame.

For insulation and protection, the assembly is cast in hydrophobic cycloaliphatic epoxy (HCEP) using automatic pressure gelation. The HCEP material offers superior arc track, ozone, and ultraviolet-resistant properties while maintaining physical strength. The hydrophobic surface properties of HCEP ensure highly reliable performance in wet, humid, or polluted environments.

## Terminals

The electro-tin plated copper primary line terminals accommodate #10 to 250 MCM conductors. Clamp-type secondary terminals accommodate #14 through #3 wire. A ground terminal is also provided for grounding the secondary circuit at the transformer.

## Junction box

The junction box has a 1" conduit hub on either end and a knock out for a 1" conduit fitting on the bottom. The box is anchored to the body of the transformer with screws and can be easily detached, simplifying installation and change-out procedures.

## Baseplate

The base is constructed of corrosion-resistant aluminum and is secured to the encapsulated base support.



## Mounting

The VOZ-11M can be mounted in upright, cantilever, or upside-down positions. Stress relief devices should be used to support cable connections.

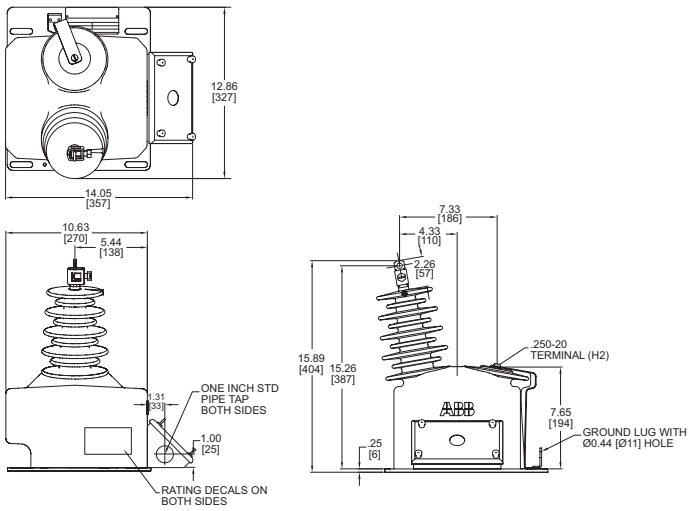
## Test reports

Test reports are stored electronically and can be e-mailed in various formats at the time of shipment.

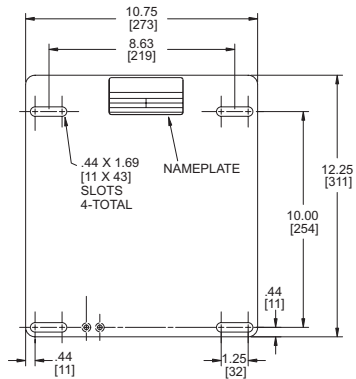
## Standards

This unit can be tested to all applicable IEEE, CSA, or IEC standards as requested.

## Unit dimensions



Type VOZ-11M



Baseplate dimensions

## Selection guide

Primary voltage	Secondary voltage	Winding ratio	Metering accuracy	Style number
7200/12470GY	120	60:1	0.3 W,X,M,Y,& Z	E-7525A91G05
7620/13200GY	120	63.5:1	0.3 W,X,M,Y,& Z	E-7525A91G06
8400/14560GY	120	70:1	0.3 W,X,M,Y,& Z	E-7525A91G07
12000/12000GY	120	100:1	0.3 W,X,M,Y,& Z	E-7525A91G08
13200/13200GY	120	110:1	0.3 W,X,M,Y,& Z	E-7525A91G09
14400/14400GY	120	120:1	0.3 W,X,M,Y,& Z	E-7525A91G10

Thermal rating at 30° C: 1500

Rated voltage factor (RVF): 1.1

Additional styles available upon request. Contact your ABB sales representative or call +1-252-827-3212 for more information.

## Optional accessories

- Vertical mounting with mounting brackets & back-up plates:  
Mounting bracket: 463C035G02  
Back-up plate: 28D2876G01
- Vertical mounting with mounting brackets and hangers:  
Mounting bracket: 463C035G02  
Hangers: 261A233G01
- Vertical mounting with channel brackets for tandem mounting of voltage and current transformers:  
Channel bracket: 332B955G02
- Horizontal mounting with hangers:  
Hangers: 261A233G01

For more information please contact:

### ABB Inc.

#### Medium Voltage Distribution Components

3022 NC 43 North

Pinetops, NC 27864

USA

Phone: +1 252 827 3212

Fax: +1 252 827 4286

[www.abb.com/mediumvoltage](http://www.abb.com/mediumvoltage)

#### Note:

The information contained in this document is for general information purposes only. While ABB strives to keep the information up to date and correct, it makes no representations or warranties of any kind, express or implied, about the completeness, accuracy, reliability, suitability, or availability with respect to the information, products, services, or related graphics contained in the document for any purpose. Any reliance placed on such information is therefore strictly at your own risk. ABB reserves the right to discontinue any product or service at any time.

Copyright 2006 ABB.

All rights reserved.