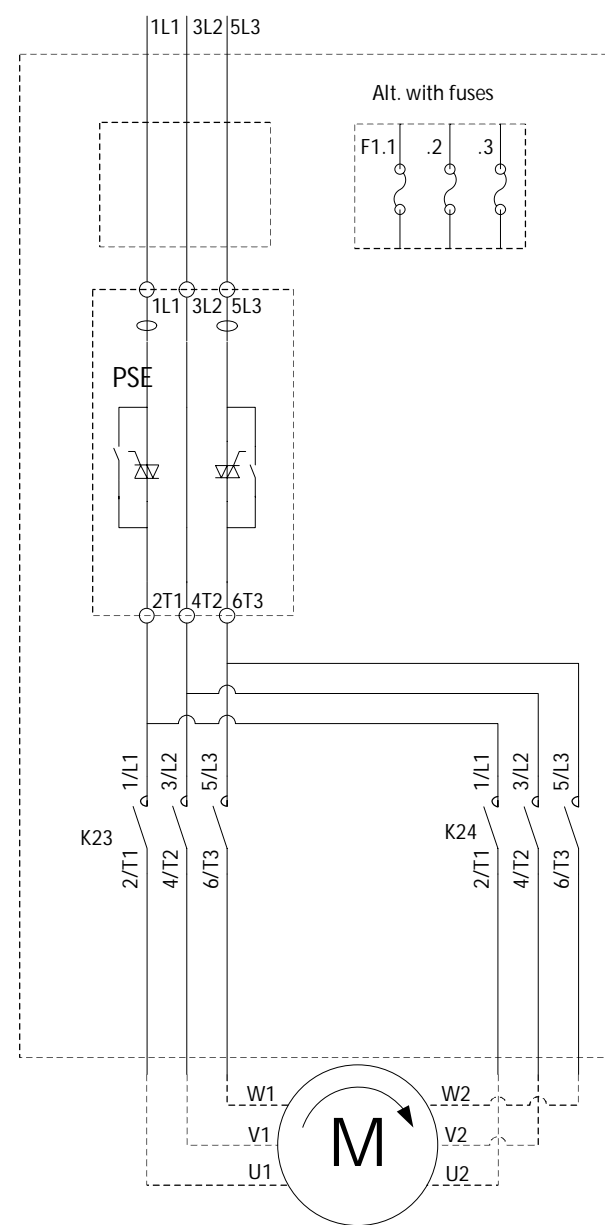
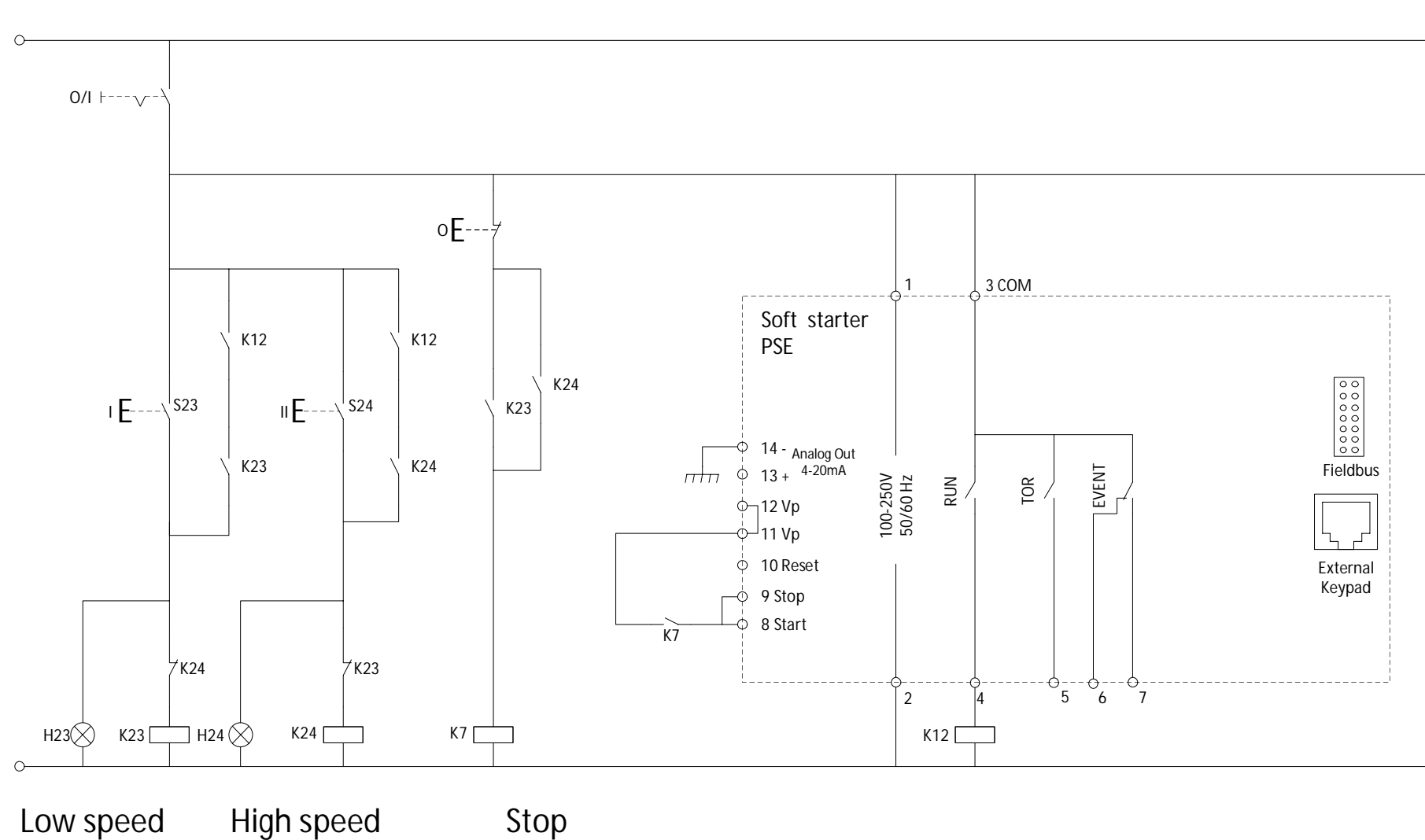


PSE18...370

In Line with pole-changing  
 To be stopped before change of speed  
 Start at optional speed  
 For motor with two windings  
 Internal E.O.L shall be deactivated

Rev	Pos	Description	Date	Sign.



We reserve all rights in this document and in the information contained therein. Reproduction, use or disclosure to third parties without express authority is strictly forbidden. Copyright ABB.

Proprietary and secret information

Created By Björn Johansson	State Approved	Responsible dep RE	Title Application diagram	Lang EN
Approved By Lars Eriksson	Approved Date 150818	Revision A	Document Number 1SFB536005G5024	Size A3
ABB AB, Control Products				Sheet 1 of 1