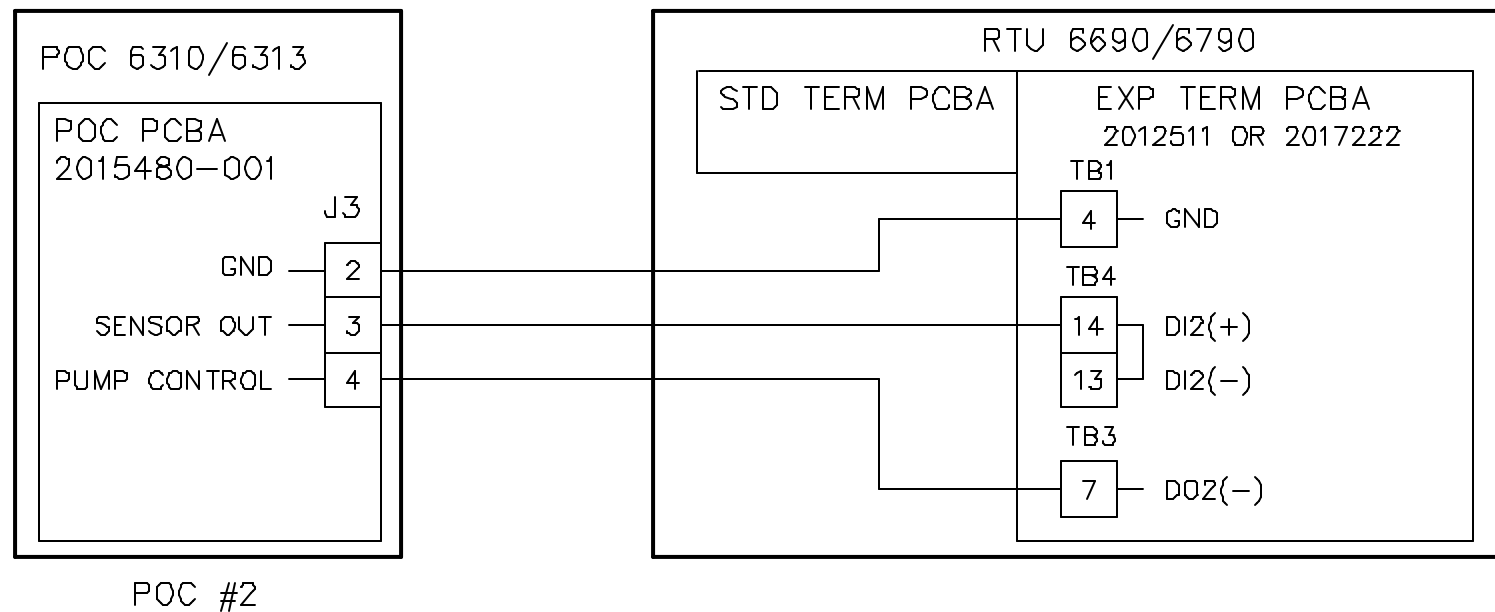
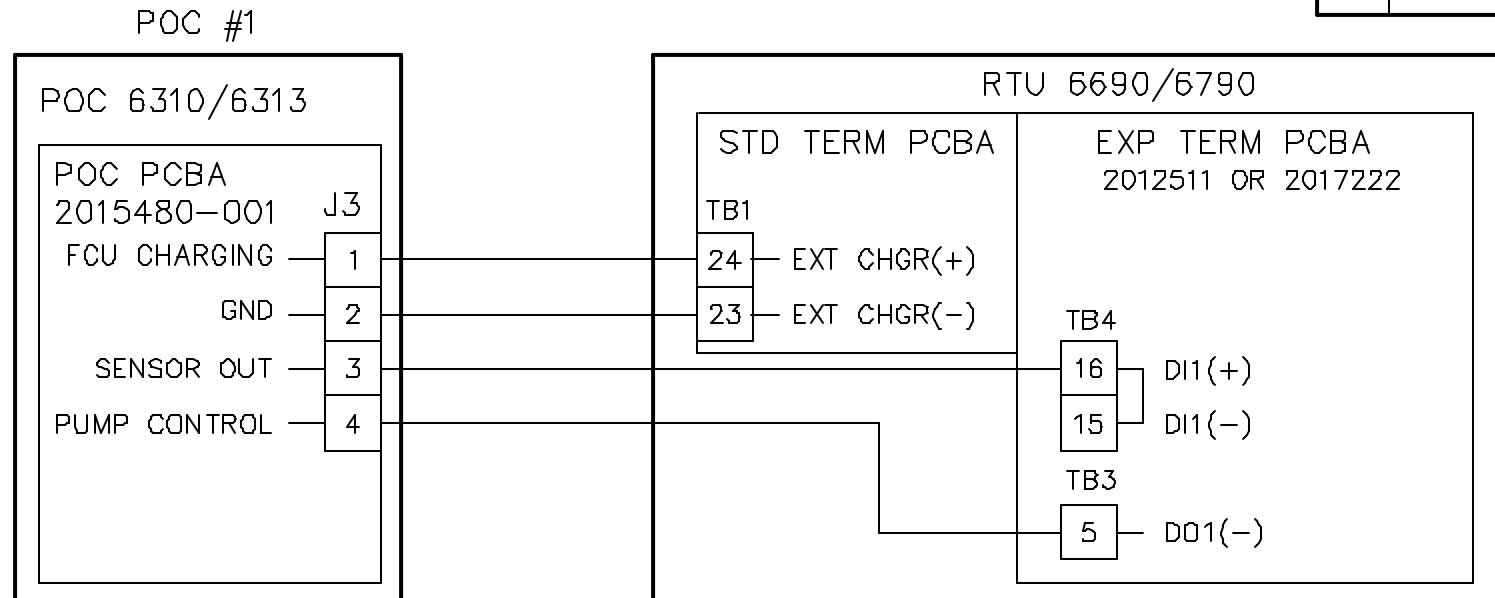
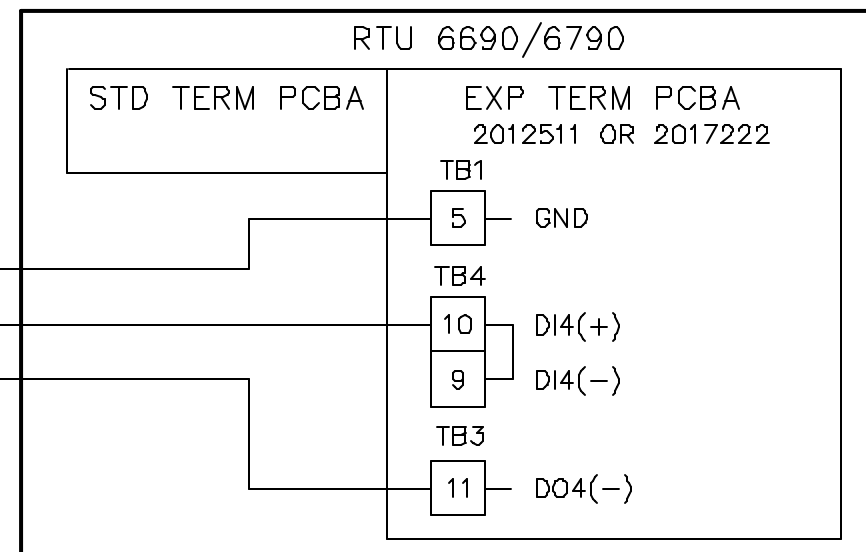
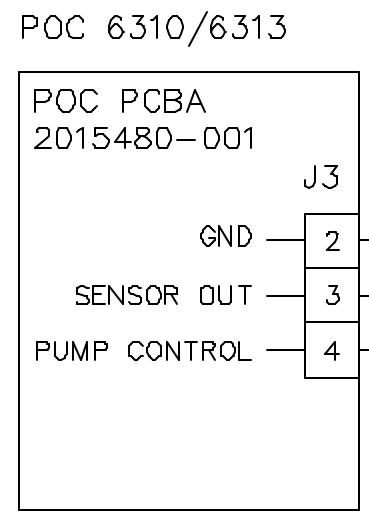
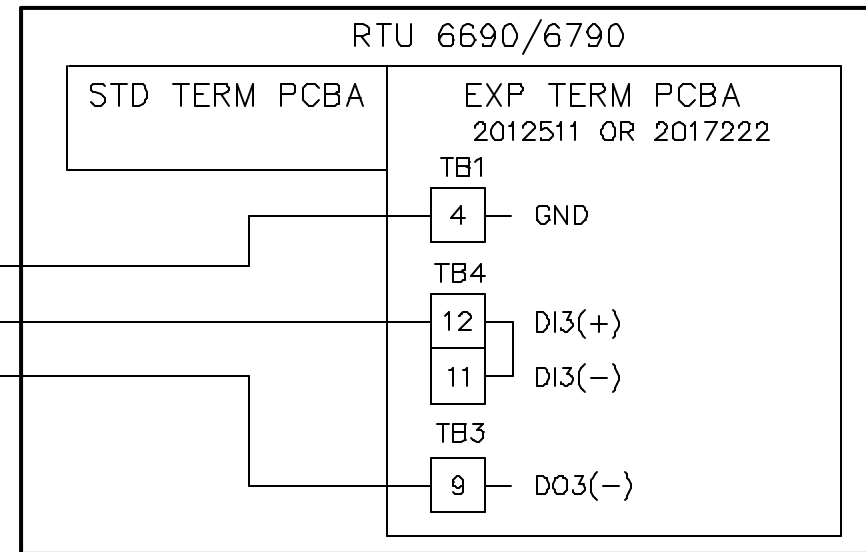
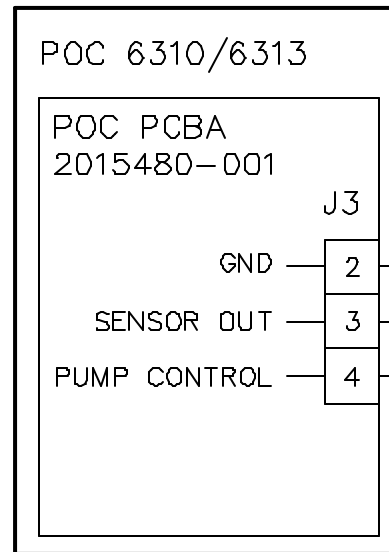


REVISIONS					
REV	ACTION	DRAWN	CHECKED	APPROVED	DATE
AA	L5168	TIERNEY	TIERNEY	HOLLAND	98/02/16
AB	D12490	KASTNER	KASTNER	HOLLAND	01/12/18



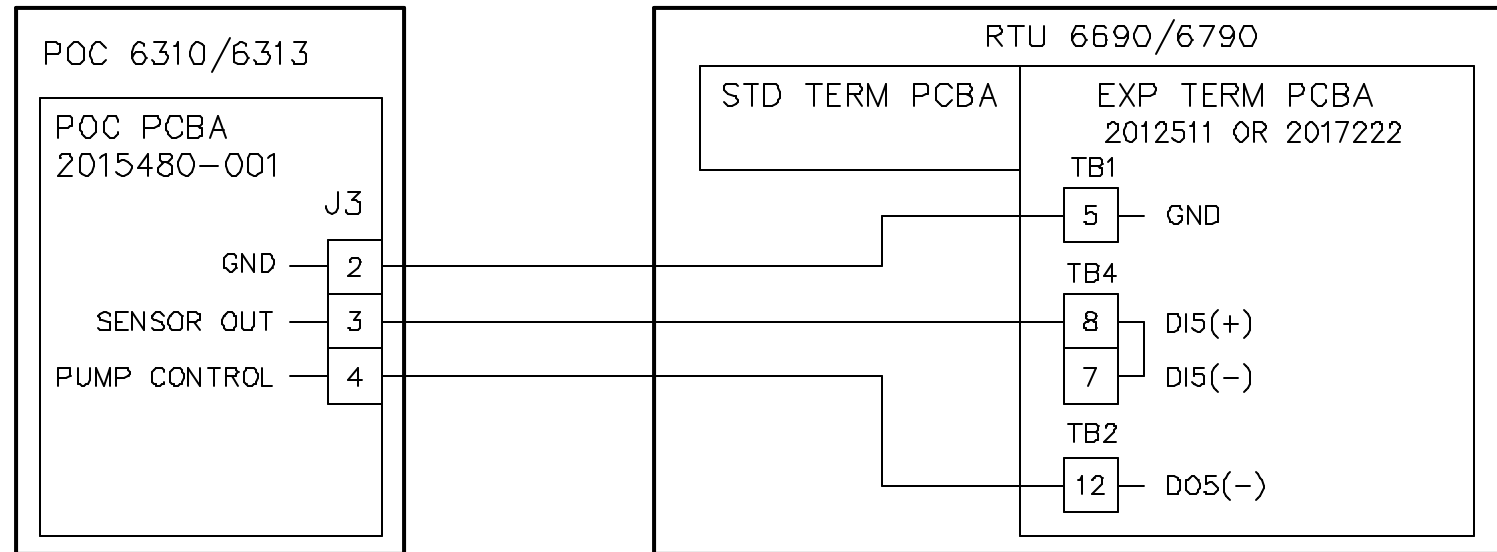
ASSEMBLY/QUANTITY	ITEM NO.	PART NUMBER	DESCRIPTION	REF/ZONE DESIG MATERIAL	UNIT MEAS
PARTS LIST					
DO NOT SCALE DRAWING		UNLESS OTHERWISE SPECIFIED DIMENSIONS ARE IN INCHES TOLERANCES ARE: DECIMAL ANGULAR .XX ± --- ± --- .XXX ± ---			
THIRD ANGLE PROJECTION		BREAK ALL SHARP CORNERS AND EDGES DIMENSIONS APPLY BEFORE FINISH			
TOTALFLOW® DESIGN: G. HOLLAND DRAWN: TIERNEY CHECKED: TIERNEY APPROVED: G. HOLLAND		LEVEL: 3 DATE: 98/2/16 98-2-12 98-2-16 98/02/16		 TOTALFLOW Products TITLE: WIRING & INTERCONNECT POC TO 6690/6790 RTU WI	
SCALE: NONE		SIZE: B	DOC TYPE: WI	DRAWING NO.: 2018208	REV: AB
				SHEET: 1	OF 4

POC #3

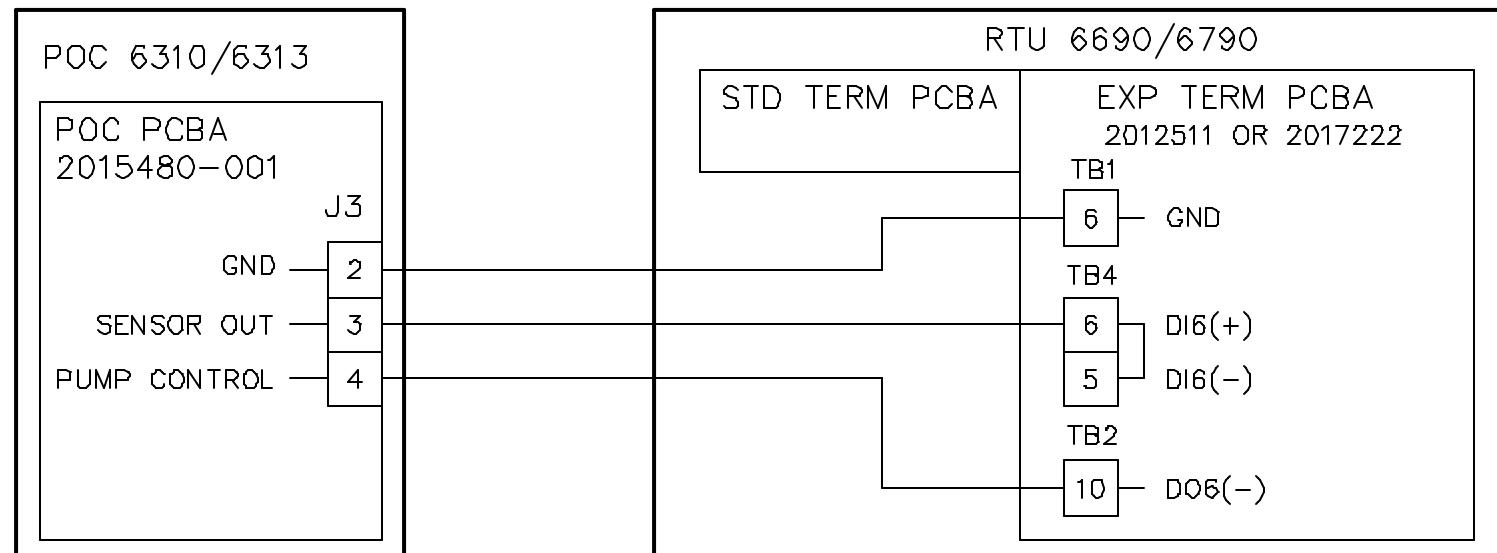


POC #4

POC #5



POC 6310/6313



POC #6

