



# P42E

## Two Part Remote Detector Photocell

### Key Features

- Low power consumption
- Compact remote detector with push-fit 14 mm base
- Robust polycarbonate controller
- Suitable for use with LED, halogen or discharge lighting

### Applications

- Exterior industrial and commercial lighting
- Security lighting
- Tunnel & underpass lighting
- Car park and park & ride lighting
- General lighting control applications requiring regular functional testing

**The P42E remote detector photocell is specifically designed for street and amenity lighting applications requiring a high level of accuracy and reliability combined with low power consumption.**

The photocell is supplied in two parts, with a separate compact detector and robust controller housing, to permit installation in lamps where space is limited, whilst the controller can be sited in a convenient, easy to reach location.

Including an integral 'press to test' function, the P42E is ideal for installations where regular operational testing of remote luminaires is a requirement.

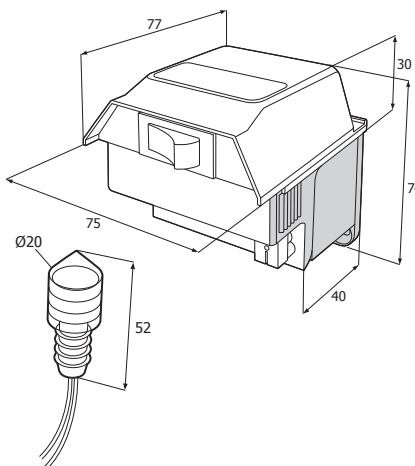


# P42E Two Part Remote Detector Photocell

## Technical Specification

Specification	Description
Sensor type	CDS detector
Sensor control	Discrete component
Standard switching level	70 lux 'On', 105 lux 'Off'. Alternative settings can be factory pre-programmed on request
Switching differential	1:1.5, positive
Operating voltage range	220-270 Vac, 50/60 Hz
Maximum lamp load	2 x 250 W inductive (60 µF), 2000 W resistive
Power consumption	0.6 W
Operating temperature range	-20 °C to +60 °C
Ingress protection	IP65 (detector), IP54 (casing)
Options	Switching levels pre-programmable to suit customer requirements
Approvals	RoHS compliant. CE marked and compliant with EMC emission and immunity standards Designed to meet the requirements for UMSUG code 94 0001 0000 100
Dimensions	<b>L x W x D</b> 77 x 75 x 74 mm (controller) <b>Dia. x D</b> 20 x 52 mm (photocell)

For product order codes or to discuss project requirements, please contact Thomas & Betts or your local representative.



Royce Thompson is the leading photo-electronic lighting controls brand from Thomas & Betts, supporting the street and amenity lighting industry since 1963.

Continuous focus on the provision of high quality, innovative products to the market ensures Royce Thompson photocells offer the best in low energy consumption, reliability and long life - helping you, the customer, achieve optimum performance whilst keeping your carbon footprint to a minimum.



## Product selection

Product	P42E
Description	Two part remote detector photocell

Individual product order codes subject to final product specification. Codes can be supplied on request from Thomas & Betts. To discuss project requirements, please contact your local representative or Thomas & Betts on (0)113 281 0600.

Warranty of all Royce Thompson products is subject to the standard Thomas & Betts terms & conditions of sale.



FM09470

### Thomas & Betts Ltd

Royce Thompson  
Bruncliffe Lane  
Leeds  
West Yorkshire LS27 9LL

Tel: +44 (0)113 281 0600  
Fax: +44 (0)113 281 0611  
roycethompson@tnb.com  
www.roycethompson.com