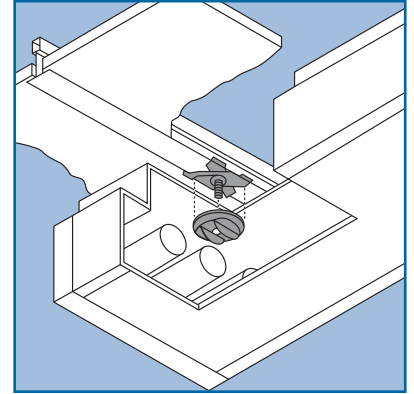
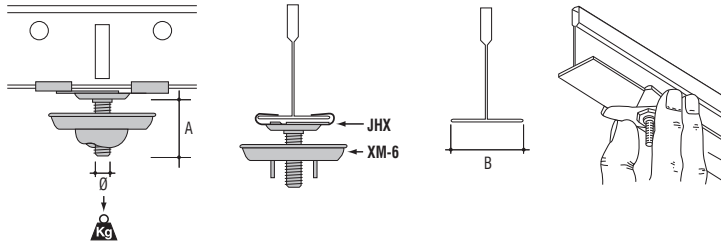


Suspended ceiling clips

Part No.	Ø (mm)	A (mm)	B (mm)	Load rating (kg)	Material finishes*	Quantity (pieces)
JHX-16SW	M6	16	25	9	F4	100
JHX-16S	M6	16	25	22	F8+	100
JHX-38S	M6	38	25	22	F8+	100
JH-15SW	M6	15	15	22	F4	100

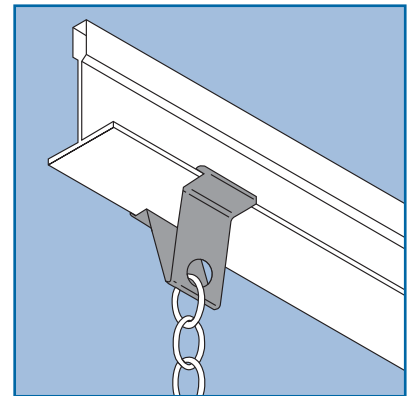
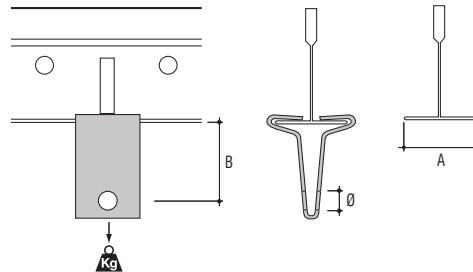
JH-15SW in White



Suspended ceiling clips

Part No.	Ø (mm)	A (mm)	B (mm)	Load rating (kg)	Material finishes*	Quantity (pieces)
LH-25	7	25	20	18	F1	100
LH-25W	7	25	20	18	F4	100

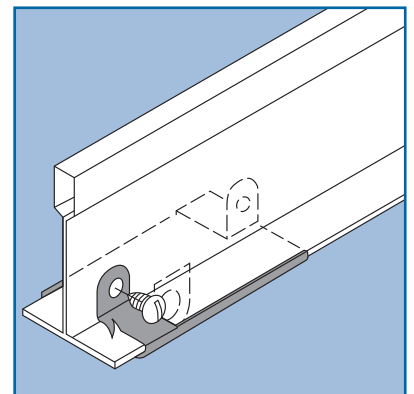
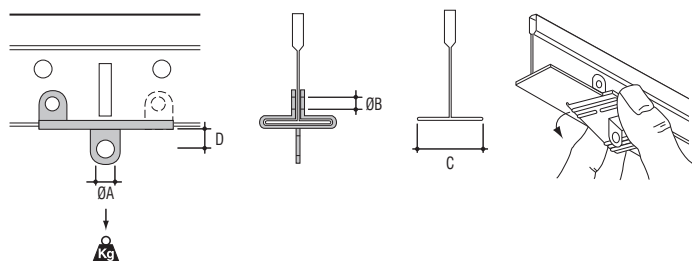
LH-25W in White



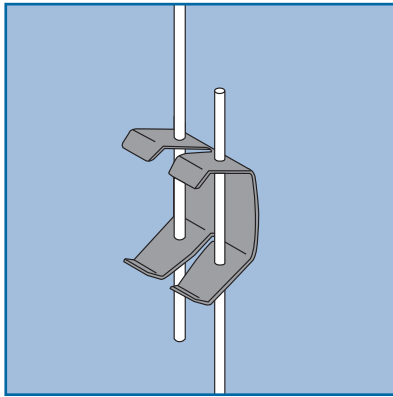
Suspended ceiling clip

Part No.	ØA (mm)	ØB (mm)	C (mm)	D (mm)	Load rating (kg)	Material finishes*	Quantity (pieces)
KH-6W	6	3	25	7	22	F4	100

KH-6W in White

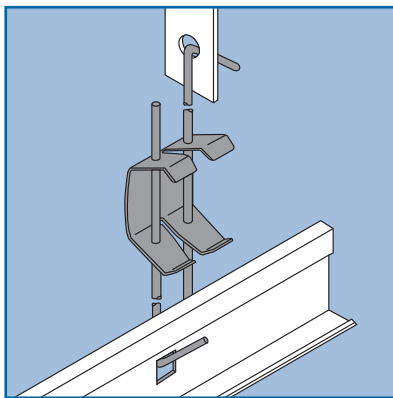
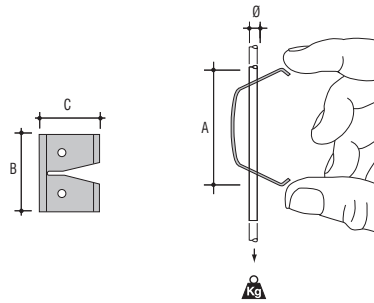


* See page 50 for material finishes



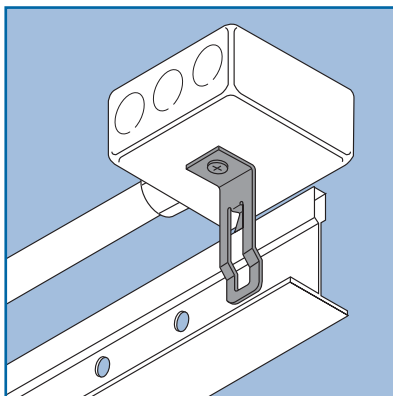
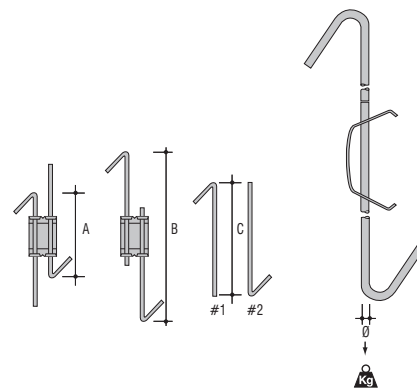
Suspended ceiling hangers

Part No.	Ø (mm)	A (mm)	B (mm)	C (mm)	Load rating (kg)	Material finishes*	Quantity (pieces)
ADS-3	3	55	30	18	100	F1	100
ADS-4	4	55	30	18	100	F1	100



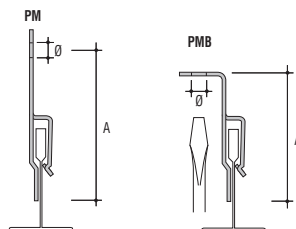
Suspended ceiling hangers

Part No.	Ø (mm)	A (mm)	B (mm)	C#1 (mm)	C#2 (mm)	Load rating (kg)	Material finishes*	Quantity (pieces)
ADSH10-30	4	100	300	190	190	100	F1	25
ADSH30-60	4	300	600	340	340	100	F1	25
ADSH60-100	4	600	1000	540	540	100	F1	25
ADSH100-125	4	1000	1250	990	340	100	F1	25
ADSH125-150	4	1250	1500	1040	540	100	F1	25
ADSH150-175	4	1500	1750	1290	540	100	F1	25
ADSH175-200	4	1750	2000	1540	540	100	F1	25



T-bar clips for conduit box

Part No.	Ø (mm)	A (mm)	Material finishes*	Quantity (pieces)
PMB-6T	M6	59	F8+	100
PMB-65	6.5	59	F8+	100
PM-6T	M6	71	F8+	100
PM-65	6.5	71	F8+	100



* See page 50 for material finishes