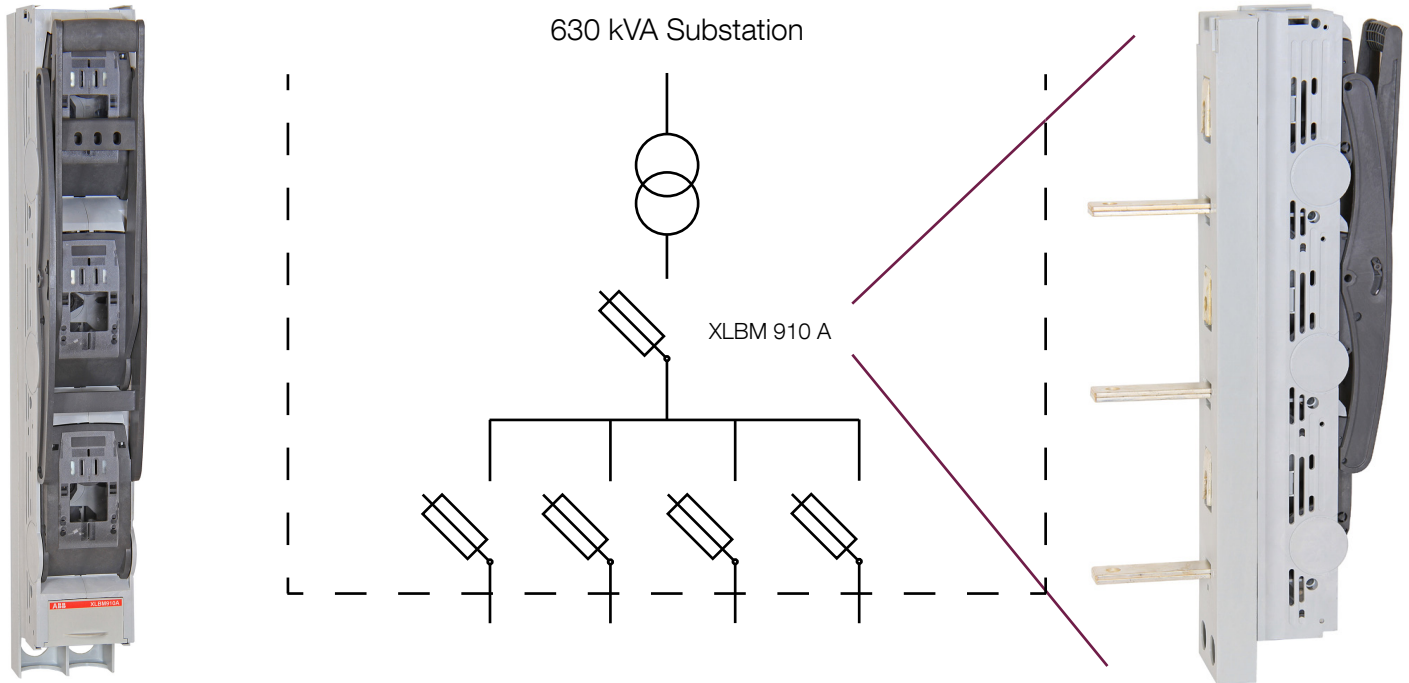


# InLine XLBM 910A for Secondary Substations



## A new XLBM 910A developed for 630kVA transformers

The XLBM 910A is developed as a feeding fuse switch disconnector to be installed in front of several outgoing feeders like XLBM 400 A or XLBM 630 A.

This is a typical application on the LV end of the 630 kVA transformer in Compact Secondary Substations ( CSS ).

	XLBM 910A-1P-MB	XLBM 910A-3P-MB
Fuse Link	NH3 910A gTr	NH3 910A gTr
Rated current	910 A	910 A
Rated voltage	400 V	400 V
Module with	100 mm	100 mm
Cable terminal	1 x M12	1 x M12
Order code	1SEP102401R0100	1SEP102401R0120

ABB AS

Low Voltage Products

P.O. Box 100, Sentrum

N-3701 Skien, Norway

Phone: +47 35 58 25 00

[www.abb.com/fusegear](http://www.abb.com/fusegear)

Power and productivity  
for a better world™

