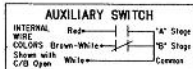


- NOTES:  
 5. SEE OUTLINE DRAWING 10055629SH3.  
 4. SEE 10054370SH6 AND 10055629SH7 FOR ADDITIONAL INFORMATION.  
 3. 8.00 [203.2] MINIMUM DISTANCE ABOVE BREAKER TO METAL DUE TO ARC CHUTE VENTING.  
 2. DIMENSIONS IN BRACKETS ARE IN [MILLIMETERS].  
 1. ALL OUTLINE DIMENSIONS ARE THE SAME FOR MANUALLY AND ELECTRICALLY OPERATED DEVICES.

<b>ABB</b>				
POWER BREAK II CIRCUIT BREAKER 2500A				
THIRD ANGLE 	SHEET# 9 of 19	DWG NO. GEM3025	DATE 28-Oct-22	REV C



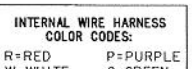
INTERNAL WIRE COLORS: Brown-White "A" Stage, White "B" Stage. When Dielectric Testing be sure all 3 terminals are connected together. Do not apply high voltage between terminals.

19 AUX. 11 "A"	AUX. 12 "A"
20 AUX. 11 "B"	2 AUX. 12 "B"
21 AUX. 11 COM	3 AUX. 12 COM
22 AUX. 9 "A"	4 AUX. 10 "A"
23 AUX. 9 "B"	5 AUX. 10 "B"
24 AUX. 9 COM	6 AUX. 10 COM
25 AUX. 7 "A"	7 AUX. 8 "A"
26 AUX. 7 "B"	8 AUX. 8 "B"
27 AUX. 7 COM	9 AUX. 8 COM
28 AUX. 5 "A"	10 AUX. 6 "A"
29 AUX. 5 "B"	11 AUX. 6 "B"
30 AUX. 5 COM	12 AUX. 6 COM
31 AUX. 3 "A"	13 AUX. 4 "A"
32 AUX. 3 "B"	14 AUX. 4 "B"
33 AUX. 3 COM	15 AUX. 4 COM
34 AUX. 1 "A"	16 AUX. 2 "A"
35 AUX. 1 "B"	17 AUX. 2 "B"
36 AUX. 1 COM	18 AUX. 2 COM

FAR ROW, NEAR ROW

LEFT SIDE TERMINAL BLOCK LABEL BLOCK "A"

\*SCREW TERMINAL POSITION RELATIVE TO FRONT OF CIRCUIT BREAKER



INTERNAL WIRE HARNESS COLOR CODES: R=RED, W=WHITE, Y=YELLOW, N=BROWN, L=BLUE, P=PURPLE, G=GREEN, B=BLACK, C=COMMON

18 ELECT. OPER. + R	36 ELECT. OPER. - B
17 RMT. CHG. W	35 RMT. CHG. L
16 RMT. CLS. + Y	34 RMT. CLS. - N
15 B.A. ONLY COM Y	33 CHG. IND. G
14 B.A. ONLY N.O. B	32 SHUNT TRIP B
13 B.A. ONLY N.C. L	31 SHUNT TRIP L
12 B.A. LOCKOUT COM W	30 U.V.R. L
11 B.A. LOCKOUT N.O. B	29 U.V.R. B
10 B.A. LOCKOUT N.C. L	28
9	27
8	26 ZSI INPUT - W
7 COMNET - G	25 ZSI INPUT + G
6 COMNET + C	24 ZSI OUTPUT - W
5 C Ø VOLTS R	23 ZSI OUTPUT + R
4 B Ø VOLTS W	22 D/O SWITCH W
3 A Ø VOLTS L	21 D/O SWITCH L
2 24VOLTS DC - B	20 - TAP B
1 24VOLTS DC + R	19 - COM. R

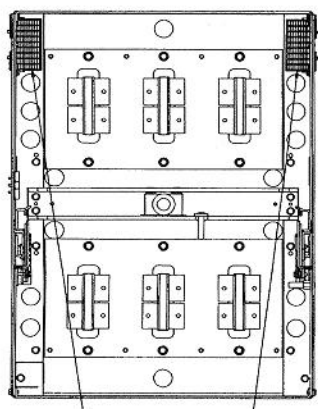
NEAR ROW, FAR ROW

RIGHT SIDE TERMINAL BLOCK LABEL BLOCK "B"

WIRE CHART

NOTE: WIRE RANGE #18 THRU #12 SOLID OR STRANDED COPPER WIRE. TORQUE: 9LB-IN

- NOTES:
- SEE OUTLINE DRAWING 10055629SH7.
  - SEE 10054370SH6 FOR MECHANICAL ACCESSORY INFORMATION.
  - 'F' DIA. = 2500A & 3000A BACK CONNECTED BREAKER MOUNTING INSERTS.
  - 'E' DIA. = 2500A & 3000A FRONT CONNECTED BREAKER MOUNTING HOLES.
  - 'D' DIA. = 4000AMP FRONT CONNECTED BREAKER MOUNTING HOLES.
  - BUSBARS OR CABLES SHOULD BE SIZED PER UL89I DEAD-FRONT SWITCHBOARDS STANDARD
  - DIMENSIONS IN BRACKETS ARE [METRIC].

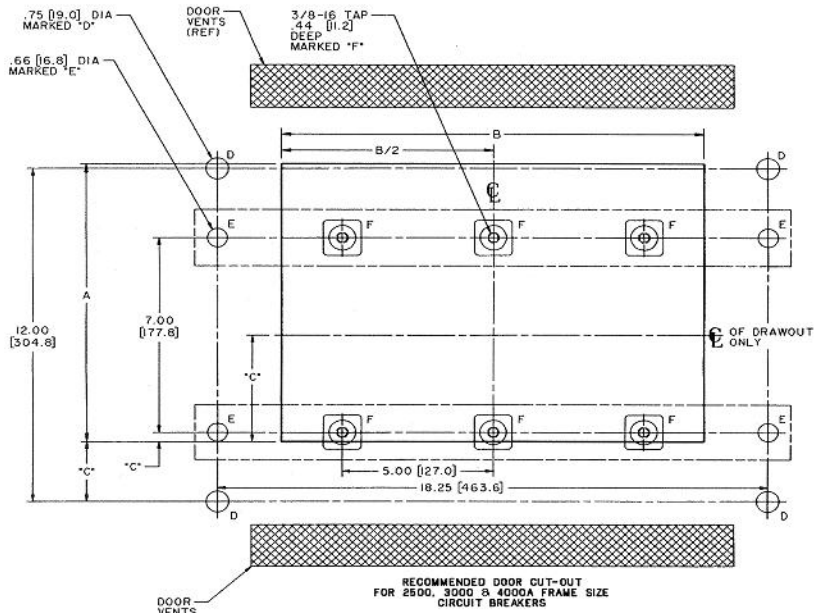


SECONDARY DISCONNECT PLUG (DEDICATED POSITIONS)

28	19	10	1	9	18	27	56
29	20	11	2	8	17	26	55
30	21	12	3	7	16	25	54
31	22	13	4	6	15	24	53
32	23	14	5	5	14	23	52
33	24	15	6	4	13	22	51
34	25	16	7	3	12	21	50
35	26	17	8	2	11	20	49
36	27	18	9	1	10	19	48

LEFT SIDE RIGHT SIDE

NOTE: ALL WIRES ON LEFT = AUX. SWITCH WIRES. ALL WIRES ON RIGHT = ALL OTHER WIRING. \*S CORRESPOND TO WIRE CHART. I.E. #31, 32 RIGHT = SHUNT TRIP



RECOMMENDED DOOR CUT-OUT FOR 2500, 3000 & 4000A FRAME SIZE CIRCUIT BREAKERS

FRAME RATING	BREAKER TYPE	WEIGHT		MINIMUM COMPARTMENT VOLUME	MINIMUM DOOR VENTILATION	STANDARD DOOR CUT-OUT			OPTIONAL DOOR CUT-OUT		
		BREAKER	DRAWOUT SUBSTRUCTURE			A	B	C	A	B	C
2500A	BACK CONNECTED	167 LBS [76KG] *	N/A	13,950 CU.IN. [229,600 CU.CM.]	160 SQ.IN. [0,032 SQ.CM.] TOTAL	10 [254]	14 [356]	34 [86.6]	9.83 [249.7]	13.38 [339.9]	255 [6.4]
	FRONT CONNECTED	178 LBS [81KG] *		80 SQ.IN. [516 SQ.CM.] TOP	270 SQ.IN. [0,742 SQ.CM.] TOTAL	TRIM PLATE REQUIRED	FLUSH FRONT OR NON-HINGED DOOR CONSTRUCTION - TRIM PLATE MAY BE OMITTED				
3000A	BACK CONNECTED	216 LBS [98.3KG] *	N/A	20,832 CU.IN. [341,375 CU.CM.]	135 SQ.IN. [871 SQ.CM.] TOP	TRIM PLATE REQUIRED	2.17 [55.1]	9.83 [249.7]	13.38 [339.9]	2,255 [57.28]	
	FRONT CONNECTED	179 LBS [81.4KG] *		270 SQ.IN. [0,742 SQ.CM.] TOTAL	FLUSH FRONT OR NON-HINGED DOOR CONSTRUCTION - TRIM PLATE MAY BE OMITTED						
4000A	FRONT CONNECTED	320 LBS [145.6KG] *	N/A	25,143 CU.IN. [412,020 CU.CM.]	135 SQ.IN. [871 SQ.CM.] TOP	TRIM PLATE REQUIRED	2.17 [55.1]	9.83 [249.7]	13.38 [339.9]	3,755 [95.38]	
	FRONT CONNECTED	320 LBS [145.6KG] *		270 SQ.IN. [0,742 SQ.CM.] TOTAL	FLUSH FRONT OR NON-HINGED DOOR CONSTRUCTION - TRIM PLATE MAY BE OMITTED						
2500A	DRAWOUT MOUNTED	232 LBS [105.6KG] *	III LBS [50.5KG]	10,991 CU.IN. [180,108 CU.CM.]	123 SQ.IN. [793.5 SQ.CM.] TOP	TRIM PLATE REQUIRED	3.84 [97.5]	9.83 [249.7]	13.38 [339.9]	3,755 [95.38]	
		233 LBS [106KG] *	III LBS [50.5KG]	10,991 CU.IN. [180,108 CU.CM.]	123 SQ.IN. [793.5 SQ.CM.] TOP						FLUSH FRONT OR NON-HINGED DOOR CONSTRUCTION - TRIM PLATE MAY BE OMITTED
3000A	DRAWOUT MOUNTED	233 LBS [106KG] *	III LBS [50.5KG]	10,991 CU.IN. [180,108 CU.CM.]	123 SQ.IN. [793.5 SQ.CM.] TOP	TRIM PLATE REQUIRED	3.84 [97.5]	9.83 [249.7]	13.38 [339.9]	3,755 [95.38]	
		233 LBS [106KG] *	III LBS [50.5KG]	10,991 CU.IN. [180,108 CU.CM.]	123 SQ.IN. [793.5 SQ.CM.] TOP						FLUSH FRONT OR NON-HINGED DOOR CONSTRUCTION - TRIM PLATE MAY BE OMITTED
4000A	DRAWOUT MOUNTED	295 LBS [134.2KG] *	167 LBS [76KG]	15,138 CU.IN. [248,074 CU.CM.]	123 SQ.IN. [793.5 SQ.CM.] TOP	TRIM PLATE REQUIRED	3.84 [97.5]	9.83 [249.7]	13.38 [339.9]	3,755 [95.38]	
		295 LBS [134.2KG] *	167 LBS [76KG]	15,138 CU.IN. [248,074 CU.CM.]	123 SQ.IN. [793.5 SQ.CM.] TOP						FLUSH FRONT OR NON-HINGED DOOR CONSTRUCTION - TRIM PLATE MAY BE OMITTED

N/A = NOT APPLICABLE \* ADD 9 LBS [4.1KG] FOR ELECTRICAL OPERATOR

TABLE 1

**ABB**

**POWER BREAK II**

**CIRCUIT BREAKER WEIGHTS & VENTS INFO**

THIRD ANGLE	SHEET#	DWG NO.	DATE	REV
	13 of 19	GEM3025	28-Oct-22	C