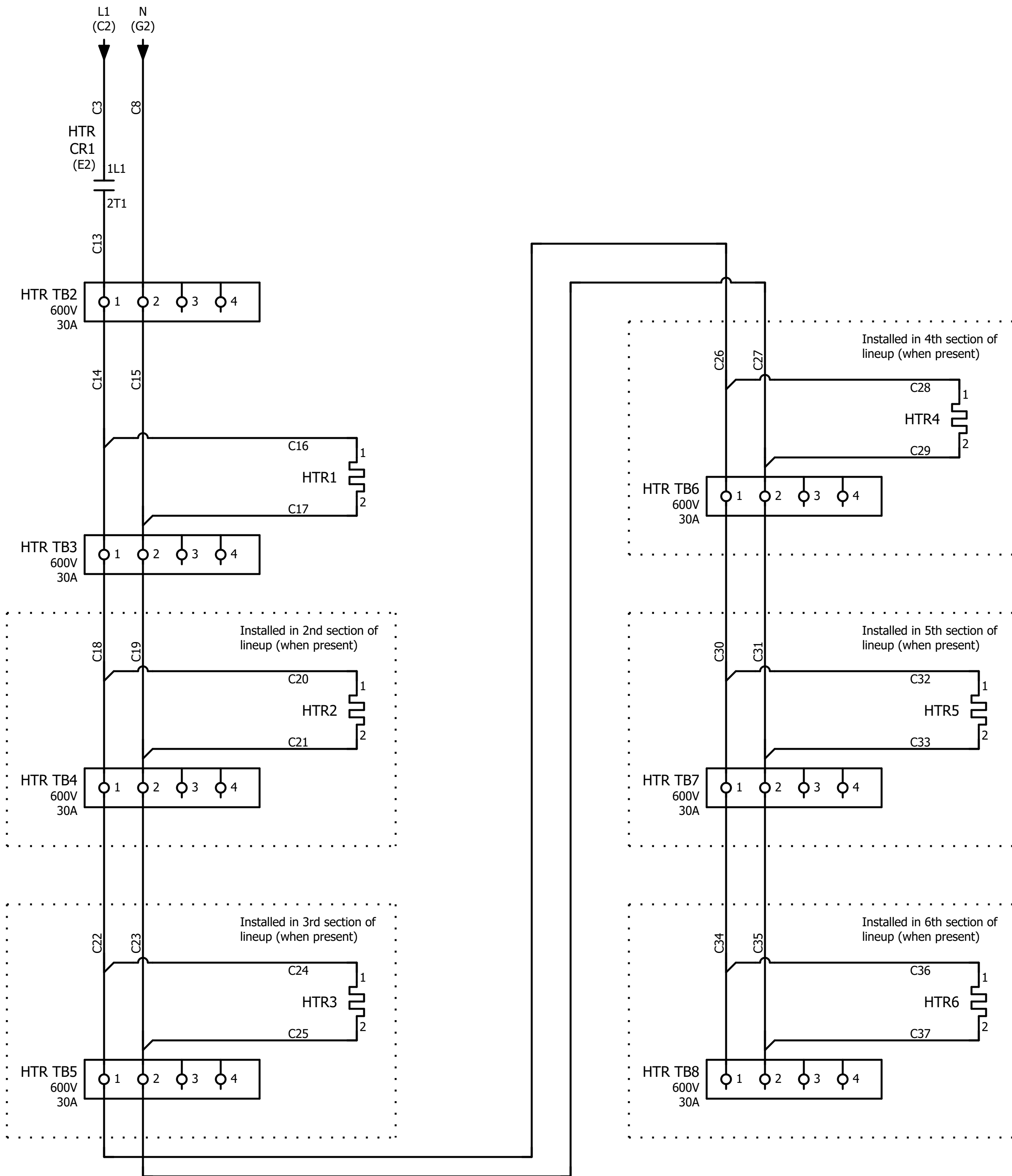
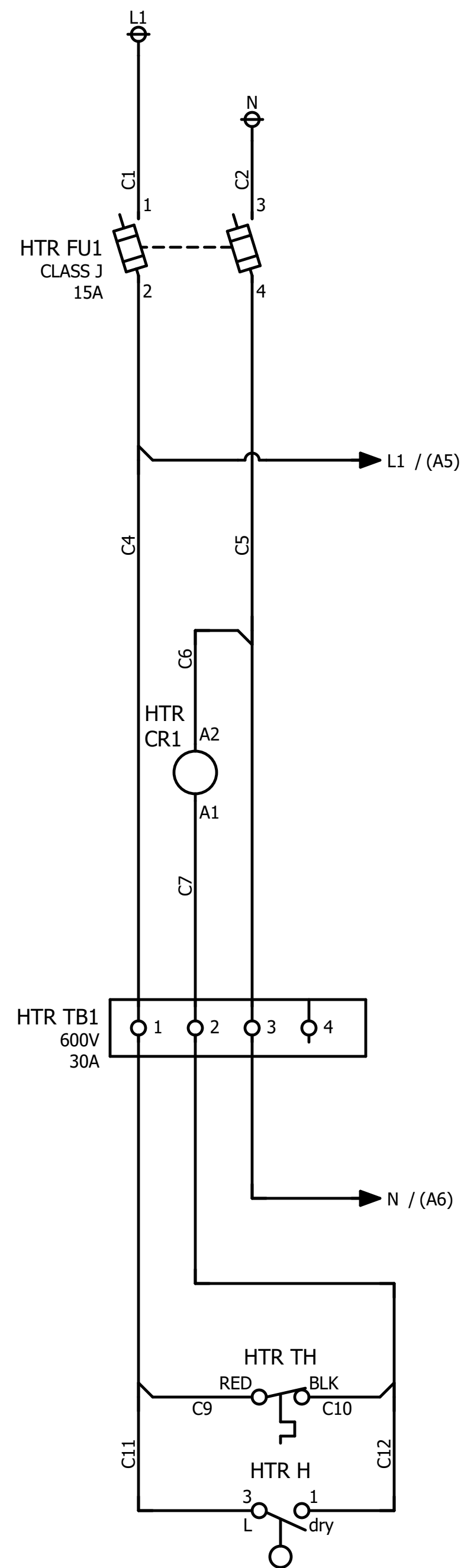


208V
LINE SIDE OF MAIN CB



REV	DATE:	DESCRIPTION:	ISSUED BY:	ENGINEER:	Document #	PLANT: Monterrey, N.L. , México	Wiring Diagram	ORDER NUMBER:	STATUS:	MARKS:
				JMD	9AKK108469A4220	ABB	ReliaGear Switchboard	CTO STD -	Release	
				CHECKED BY:				+HTR	ITEM.SECT / FUNC / DOC TYPE =208V.6S&	REQUISITION:

Connection list

Connection	Target 1	Target 2	Color	Wire Gauge (AWG)	Function definition
C1	-L1	-HTR FU1:1	BLK	14	Conductor / wire
C2	-N	-HTR FU1:3	WHT	14	Conductor / wire
C3	-HTR CR1:1L1	-HTR FU1:2	BLK	14	Conductor / wire
C4	-HTR FU1:2	-HTR TB1:1	BLK	14	Conductor / wire
C5	-HTR FU1:4	-HTR TB1:3	WHT	14	Conductor / wire
C6	-HTR CR1:A2	-HTR TB1:3	WHT	14	Conductor / wire
C7	-HTR CR1:A1	-HTR TB1:2	BLK	14	Conductor / wire
C8	-HTR TB2:2	-HTR TB1:3	WHT	14	Conductor / wire
C9	-HTR TB1:1	-HTR TH:RED	BLK	14	Conductor / wire
C10	-HTR TB1:2	-HTR TH:BLK	BLK	14	Conductor / wire
C11	-HTR TB1:1	-HTR H:3	BLK	14	Conductor / wire
C12	-HTR TB1:2	-HTR H:1	BLK	14	Conductor / wire
C13	-HTR CR1:2T1	-HTR TB2:1	BLK	14	Conductor / wire
C14	-HTR TB2:1	-HTR TB3:1	BLK	14	Conductor / wire
C15	-HTR TB2:2	-HTR TB3:2	WHT	14	Conductor / wire
C16	-HTR1:1	-HTR TB3:1	WHT (High Temp)	14	Conductor / wire
C17	-HTR1:2	-HTR TB3:2	WHT (High Temp)	14	Conductor / wire
C18	-HTR TB3:1	-HTR TB4:1	BLK	14	Conductor / wire
C19	-HTR TB3:2	-HTR TB4:2	WHT	14	Conductor / wire
C20	-HTR2:1	-HTR TB4:1	WHT (High Temp)	14	Conductor / wire
C21	-HTR2:2	-HTR TB4:2	WHT (High Temp)	14	Conductor / wire
C22	-HTR TB4:1	-HTR TB5:1	BLK	14	Conductor / wire
C23	-HTR TB4:2	-HTR TB5:2	WHT	14	Conductor / wire
C24	-HTR3:1	-HTR TB5:1	WHT (High Temp)	14	Conductor / wire
C25	-HTR3:2	-HTR TB5:2	WHT (High Temp)	14	Conductor / wire
C26	-HTR TB6:1	-HTR TB5:1	BLK	14	Conductor / wire
C27	-HTR TB6:2	-HTR TB5:2	WHT	14	Conductor / wire
C28	-HTR4:1	-HTR TB6:1	WHT (High Temp)	14	Conductor / wire
C29	-HTR4:2	-HTR TB6:2	WHT (High Temp)	14	Conductor / wire
C30	-HTR TB6:1	-HTR TB7:1	BLK	14	Conductor / wire
C31	-HTR TB6:2	-HTR TB7:2	WHT	14	Conductor / wire
C32	-HTR5:1	-HTR TB7:1	WHT (High Temp)	14	Conductor / wire
C33	-HTR5:2	-HTR TB7:2	WHT (High Temp)	14	Conductor / wire
C34	-HTR TB7:1	-HTR TB8:1	BLK	14	Conductor / wire
C35	-HTR TB7:2	-HTR TB8:2	WHT	14	Conductor / wire
C36	-HTR6:1	-HTR TB8:1	WHT (High Temp)	14	Conductor / wire
C37	-HTR6:2	-HTR TB8:2	WHT (High Temp)	14	Conductor / wire

REV	DATE:	DESCRIPTION:	ISSUED BY:	ENGINEER:	Document #	PLANT: Monterrey, N.L. , México	Connection list : C1 - C37	ORDER NUMBER:	STATUS:	MARKS:
				JMD	9AKK108469A4220			CTO STD -	Release	
				CHECKED BY:				ReliaGear Switchboard	ITEM.SECT / FUNC / DOC TYPE	REQUISITION:
				JMD				+HTR =208V.6S&		2