

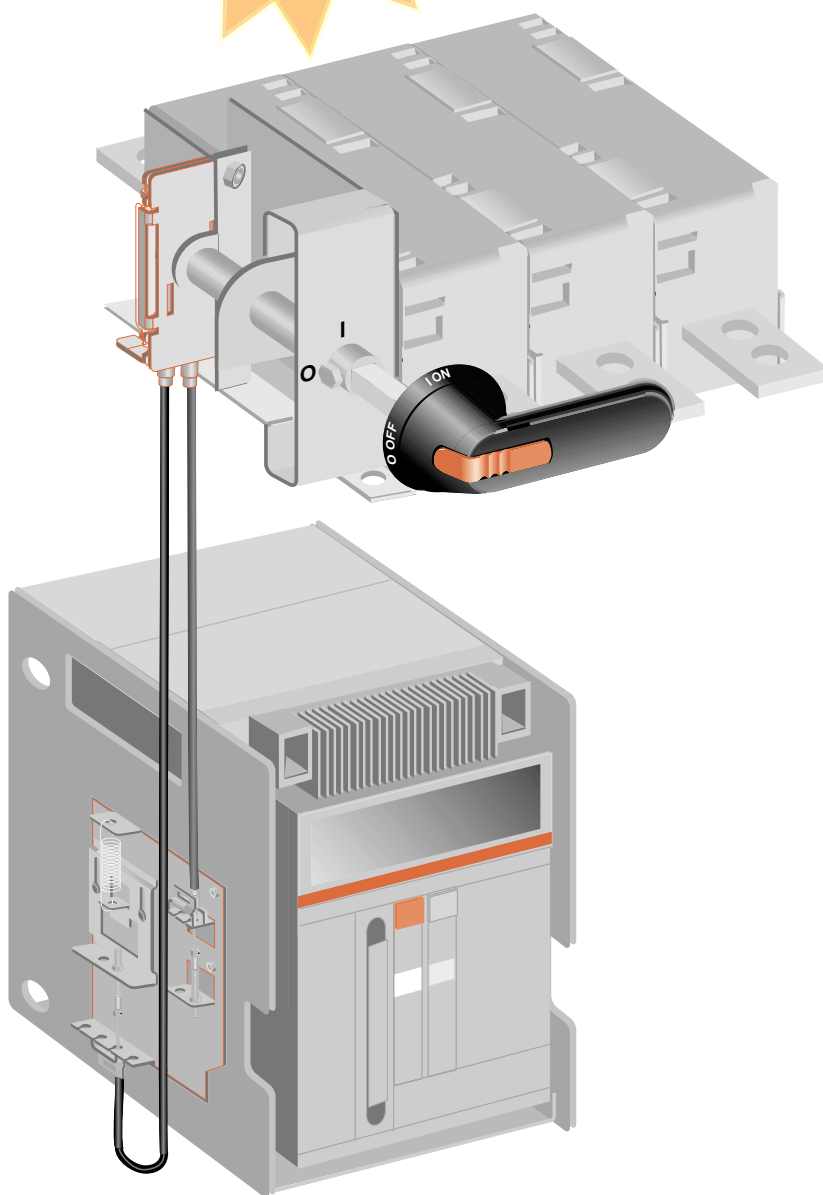


Mechanical Interlock between OETL Earthing Switch and EMAX Breaker



The operating of both the earthing switch and the breaker into ON-position at the same time is mechanically prevented by using the new OETM-EMAX accessory.

The OETM-EMAX accessory is mounted onto the OETL 1250 earthing switch together with similar accessories for the EMAX breaker.



Ordering information

Accessory	Type	Order number	Note
Mechanical parts mounted onto OETL	OETM-EMAX	1SCA022579R9410	1
Interlocking cable for vertically mounted breakers		1SDA038329R1	2A
Interlocking cable for horizontally mounted breakers		1SDA038333R1	2B
Interlocking cable for fixed or withdrawable breakers (E1-2)		1SDA038366R1	3
Interlocking cable for fixed or withdrawable breakers (E3)		1SDA038367R1	3
Interlocking cable for fixed or withdrawable breakers (E4)		1SDA038368R1	3
Interlocking cable for fixed or withdrawable breakers (E6)		1SDA038369R1	3
Interlocking accessory for fixed breakers or the fixed part of withdrawable breakers		1SDA038364R1	4
Interlocking plate for fixed breakers		1SDA038358R1	5

Accessory combinations

Withdrawable breaker	Accessory 1	+	Accessory 2A	or	Accessory 2B	+	Accessory 3	+	Accessory 4
E1	OETM-EMAX		1SDA038329R1		1SDA038333R1		1SDA038366R1		1SDA038364R1
E2	OETM-EMAX		1SDA038329R1		1SDA038333R1		1SDA038366R1		1SDA038364R1
E3	OETM-EMAX		1SDA038329R1		1SDA038333R1		1SDA038367R1		1SDA038364R1
E4 (3 pole)	OETM-EMAX		1SDA038329R1		1SDA038333R1		1SDA038368R1		1SDA038364R1
E6 (4 pole)	OETM-EMAX		1SDA038329R1		1SDA038333R1		1SDA038369R1		1SDA038364R1

Fixed breaker	Accessory 1	+	Accessory 2A	or	Accessory 2B	+	Accessory 3	+	Accessory 4	+	Accessory 5
E1	OETM-EMAX		1SDA038329R1		1SDA038333R1		1SDA038366R1		1SDA038364R1		1SDA038358R1
E2	OETM-EMAX		1SDA038329R1		1SDA038333R1		1SDA038366R1		1SDA038364R1		1SDA038358R1
E3	OETM-EMAX		1SDA038329R1		1SDA038333R1		1SDA038367R1		1SDA038364R1		1SDA038358R1
E4 (3 pole)	OETM-EMAX		1SDA038329R1		1SDA038333R1		1SDA038368R1		1SDA038364R1		1SDA038358R1
E6 (4 pole)	OETM-EMAX		1SDA038329R1		1SDA038333R1		1SDA038369R1		1SDA038364R1		1SDA038358R1

Ordering example

Mechanical interlocking of an earthing switch and a horizontally mounted withdrawable E2 breaker requires following accessories:

Order number	Quantity (pcs)
OETM-EMAX	1
1SDA038333R1	1
1SDA038366R1	1
1SDA038364R1	1