

14

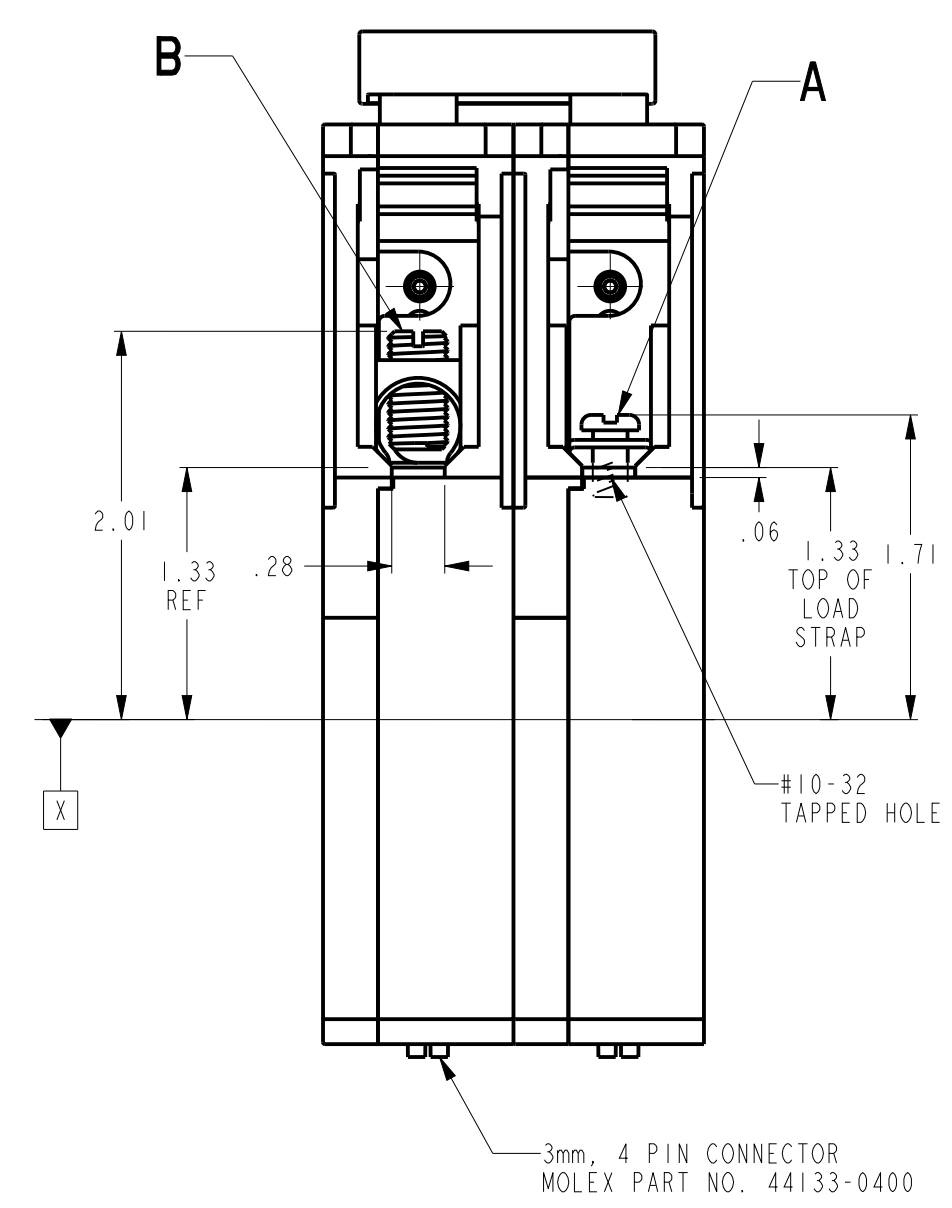
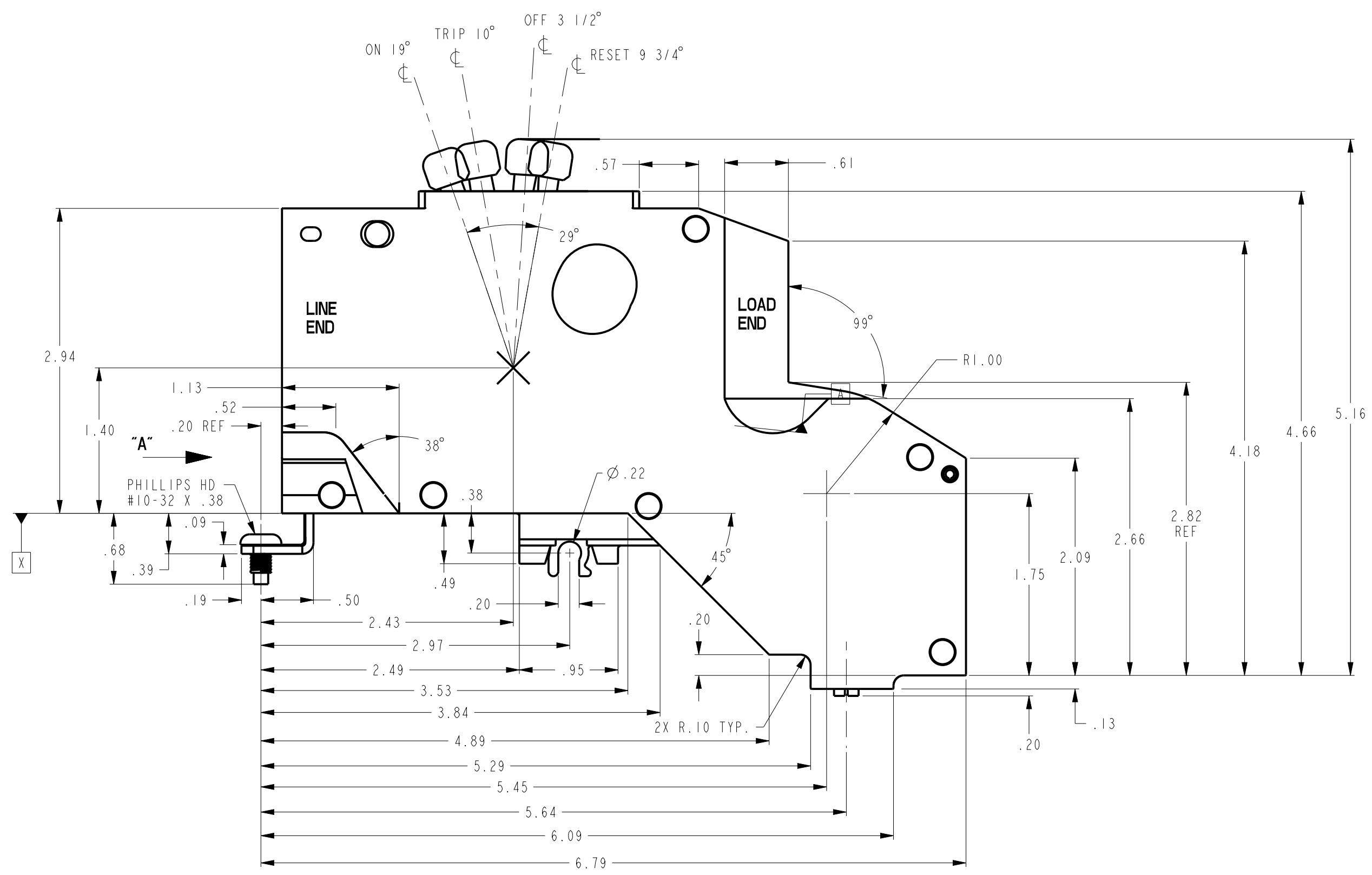
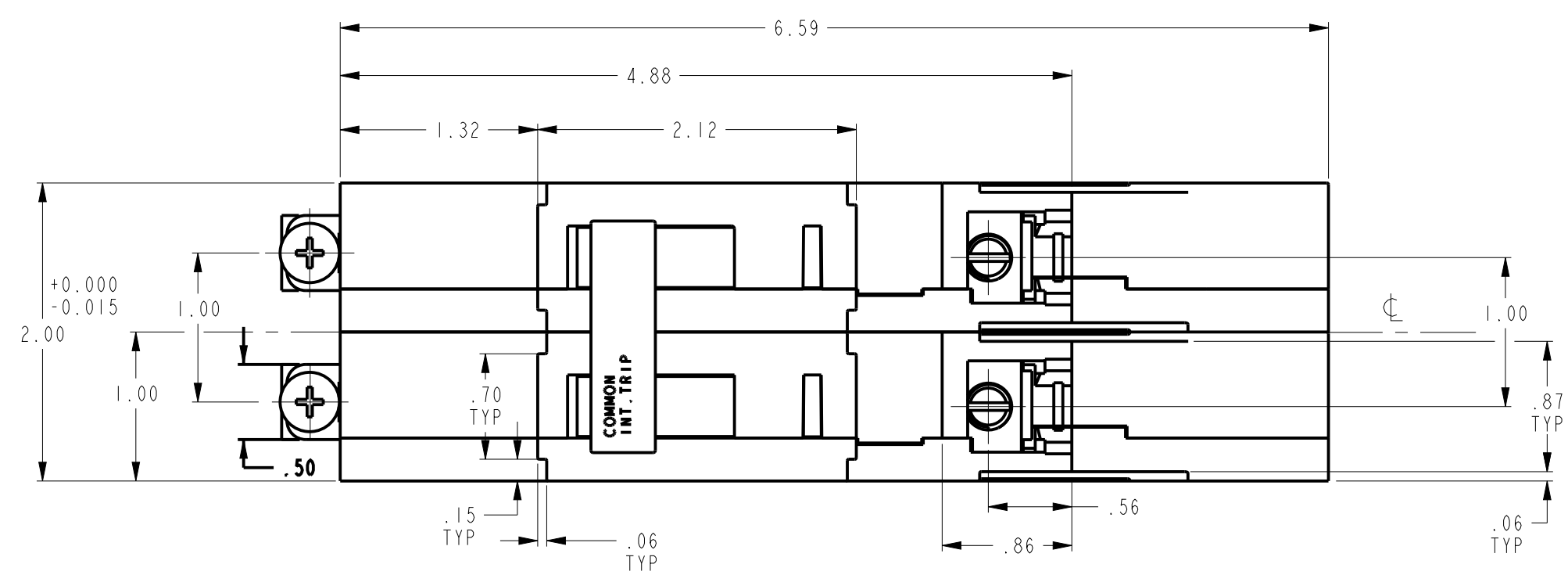
13

12

11

WIRE CONNECTOR	USED ON	WIRE RANGE		LOAD END LUG TORQUE TO WIRE	LINE END MOUNTING SCREW TORQUE
		CU	AL		
A (WIRE KEEPER)	15A-20A	#12-#14	#10-#12	#10 #12 - 35LB-IN #14	25-32LB-IN
B (LUG)	30A	#10-#6	#8-#4	#10 - 35LB-IN #8 - 40LB-IN #6, #4 - 45LB-IN	

NOMINAL HANDLE OPERATING FORCES (LBS)	
ON TO OFF	13.0
TRIP TO RESET	15.0
OFF TO ON	4.4



PV2

Industrial Solutions by **ABB**

OUTLINE 2 POLE ROCB

THIRD ANGLE	SHEET#	DWG NO.	DATE	REV
	1 of 1	10090819PV2	11/19	3

14

13

12

11