

Hazlux® H3 LED Series

A safe, dependable and rugged luminaire with an exclusive design that maximizes heat dissipation, offers excellent performance and energy efficiency.

CERTIFICATION

| | |
|----------------|----------------------|
| CLASS I | |
| Division 2 | Group A, B, C, D |
| Zone 2 | Groups IIC, IIB, IIA |

| | |
|-----------------|----------------------------|
| CLASS II | |
| Division 1 | Group E, F, G ¹ |
| Division 2 | Group F, G ² |

CLASS III

¹Optics: CUT reflector not suitable for Class II, Div 1.
 Classification may vary depending on the product configuration. Please follow catalogue information and exceptions.

APPROVALS



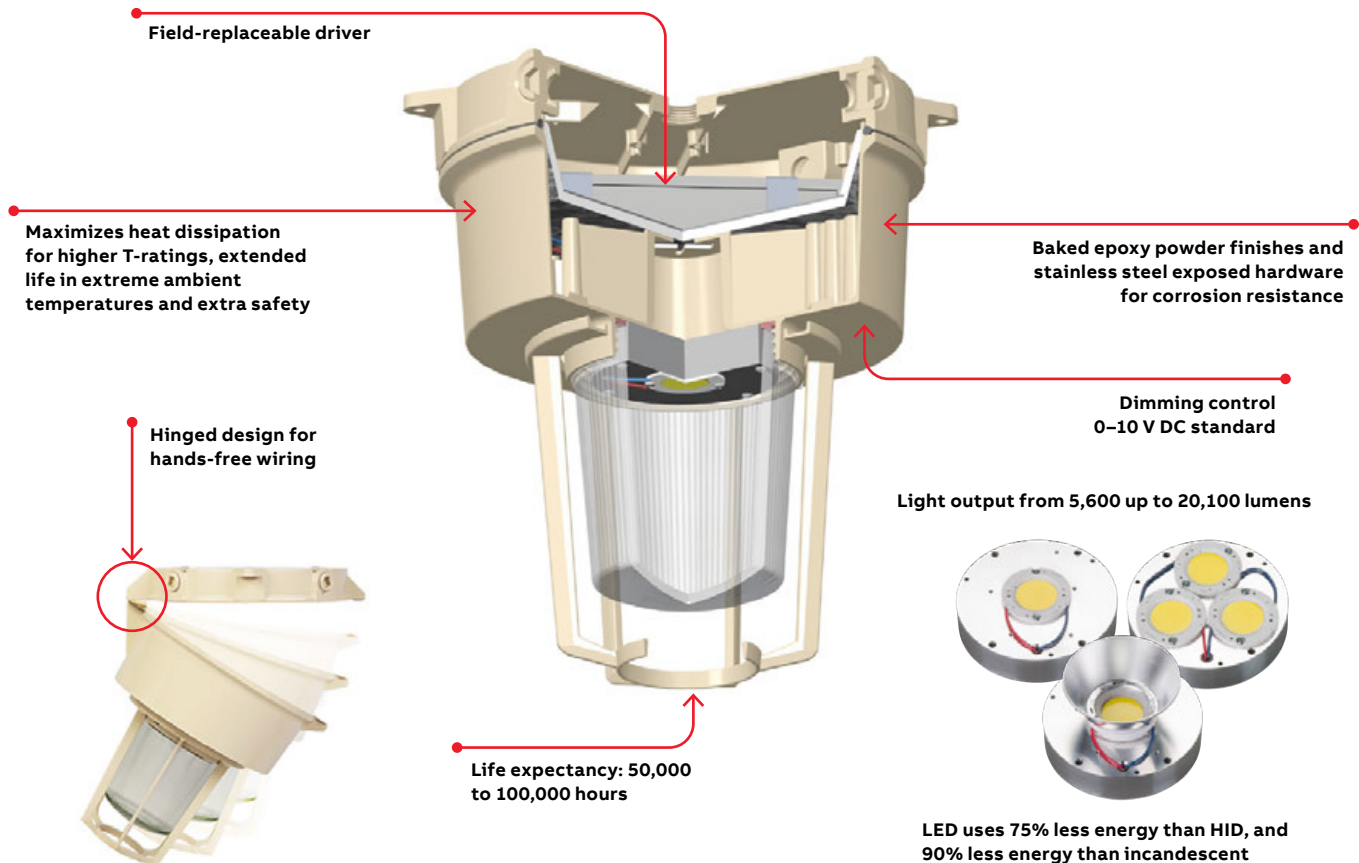
Not all DL series are DLC qualified. For all qualified products, please visit: www.designlights.org/qpl



UL844
 UL1598
 UL8750

APPLICATIONS

- High mast
- Parking lots
- Tunnels
- Swimming pools
- High bay
- Coolers and freezers
- Inspection
- Quality control areas
- Packaging areas
- Hangars
- Storage facilities
- Oil and gas processing
- Agricultural
- Chemical/industrial facilities



Hazlux® H3 LED Series

Key features and information

FEATURES

Operating Temperature: -40F to 131F (-40C to 55C)

Field-replaceable driver

Higher T-ratings, extended life in extreme ambient temperatures and extra safety

Versatile optics include internal reflector options with 35°, 45° and 65° beam angles

HOUSING

Baked epoxy powder finishes and stainless steel exposed hardware for corrosion resistance

Hinged design for hands-free wiring

Borosilicate glass globes and Polycarbonate CUT lens available

Available with multiple distribution patterns

Housing made of copper-free aluminum

Gray color option and special black anti-corrosion coating available (Hazcote)

Glass Teflon coating option available

LED

Efficacy: up to 151 Lm/W

Lumen output: From 5,600 Lumens to 20,000 Lumens

Bridgelux LED's

CRI Ra>70

Correlated Color Temperature (CCT): 5000K (standard), 3000 K, 3500 K, 4000 K (optional)

ELECTRICAL

0-10 V Dimming

Operating Voltage: Universal 120-277 V AC (voltage range includes 208 V, 220 V, 240 V etc.), 347-480 V AC (50/60Hz)

Power factor 0.9

Driver efficiency 90%

THD <20%

MOUNTING

Cone-top pendant mount

Ceiling and pendant mount

Wall mount

Pendant mount

25° angle stanchion mount

90° stanchion mount

Hazvertor ring

APPROVALS

UL844

CSA C22.2 No. 137

UL 1598 Wet Locations

UL 8750 LED Safety

DLC

Not all product variations listed on this page are DLC qualified. Visit www.designlights.org/search to confirm qualification.

NEMA 4X

WARRANTY

5 Years limited warranty

T-code chart

| | Class I Zone 2 Groups IIC, IIB, IIA | Class I Division 2 Groups A, B, C, D | Class II Groups E, F, G | Simultaneous Class I Division 2 and Class II |
|---|-------------------------------------|--------------------------------------|-------------------------|--|
| Glass globe DL005, DL007, DL010 | | | | |
| Ambient temp. -40 to 104°F (-40 to 40°C) | T5 | T5 | T6 | T5 |
| Ambient temp. -40 to 131°F (-40 to 55°C) | T4 | T4A | T6 | T4A |
| Glass globe DL005, DL007, DL010 with internal reflector I3, I4, I6 | | | | |
| Ambient temp. -40 to 104°F (-40 to 40°C) | T4 | T4A | T6 | T4A |
| Glass globe DL015, DL017, DL020 | | | | |
| Ambient temp. -40 to 104°F (-40 to 40°C) | T4 | T4A | T4A | T4A |
| Optic type cut DL005, DL007, DL010 | | | | |
| Ambient temp. -40 to 104°F (-40 to 40°C) | T5 | T5 | T5 ¹ | T5 ¹ |
| Ambient temp. -40 to 131°F (-40 to 55°C) | T4 | T4A | T4A ¹ | T4A ¹ |
| Optic type cut DL015, DL017, DL020 | | | | |
| Ambient temp. -40 to 104°F (-40 to 40°C) | T4 | T4A | T4A ¹ | T4A ¹ |

¹Cut reflector: Class II, Division 2, Groups F, G only

Surge suppression rating

ANSI C82.77-5 CAT C low compliant – no external surge suppression device required.

| ANSI surge type | Differential mode (L-N) | Common mode (L-G, N-G, L and N-G) |
|--------------------------------------|-------------------------|-----------------------------------|
| 1.2/50 μs combination wave (w/t 2 Ω) | 6 kV | 6 kV |

Hazlux® H3 LED Series

ELECTRICAL SPECIFICATIONS

Design Lights Consortium (DLC): summary of test results

| Electrical, 120-277 VAC | | | |
|-------------------------|-----------|--------------|-------|
| Model | Power (W) | Power factor | THD |
| DL005 | 37.7 | 0.91 | 13.5% |
| DL007 | 49.4 | 0.94 | 13.3% |
| DL010 | 71.9 | 0.97 | 10.1% |
| DL015 | 103.0 | 0.97 | 11.0% |
| DL017 | 115 | 0.97 | 11.8% |
| DL020 | 137 | 0.97 | 12.3% |

| Photometry, 120-277 VAC | |
|-------------------------|-------|
| TG globe | |
| Lumens | Lm/W |
| 5,747 | 155.3 |
| 7,607 | 156.6 |
| 10,706 | 147.8 |
| 16,063 | 155 |
| 17,549 | 151.7 |
| 20,468 | 147.2 |

| Photometry, 120-277 VAC | |
|-------------------------|-------|
| CUT reflector | |
| Lumens | Lm/W |
| 5,237 | 141.5 |
| 6,832 | 140.8 |
| 9,814 | 135.4 |
| 14,564 | 140.7 |
| 16,140 | 139.7 |
| 18,782 | 135.3 |

| Electrical, 347 VAC | | | |
|---------------------|-----------|--------------|-------|
| Model | Power (W) | Power factor | THD |
| DL005 | 36.7 | 0.98 | 10.2% |
| DL007 | 47.9 | 0.99 | 8.3% |
| DL010 | 70.2 | 0.99 | 7.1% |
| DL015 | 104.9 | 0.99 | 7.6% |
| DL017 | 116.7 | 0.99 | 7.1% |
| DL020 | 141.2 | 0.99 | 7.8% |

| Photometry, 347 VAC | |
|---------------------|-------|
| TG globe | |
| Lumens | Lm/W |
| - | - |
| - | - |
| 10,582 | 147.7 |
| - | - |
| - | - |
| 21,284 | 149.6 |

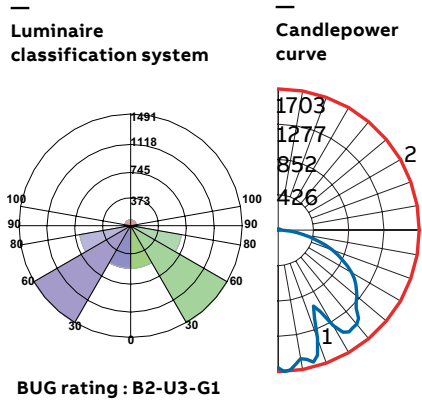
| Photometry, 347 VAC | |
|---------------------|-------|
| CUT reflector | |
| Lumens | Lm/W |
| - | - |
| - | - |
| 9,659 | 134.9 |
| - | - |
| - | - |
| 19,065 | 134.1 |

Summary of test results: Certified for optics TG globe and CUT reflector, and for AC input 120 V, 277 V and 347 V

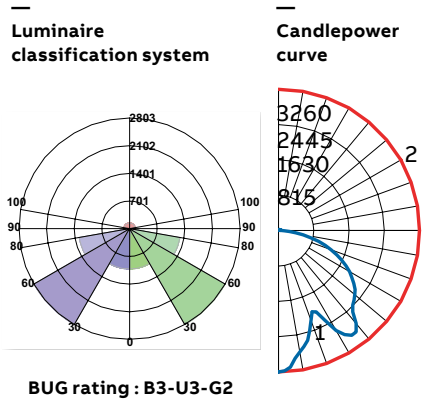
Hazlux® H3 LED Series

PHOTOMETRY

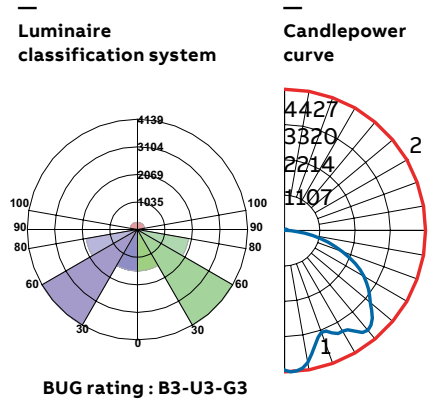
| Standard globe | |
|---------------------------------|----------------|
| Catalog number | DL005EUN0-TGC2 |
| Luminaire lumens | 5,764 |
| Luminaire efficacy rating (LER) | 156 |
| Input watts | 37.01 |
| Spacing criterion | 0.88 |
| Spacing criterion (90–270) | 0.88 |
| Spacing criterion (diagonal) | 1.52 |



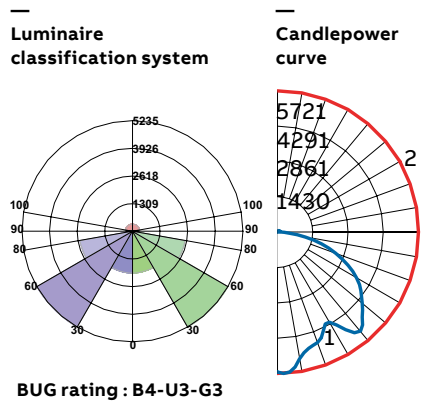
| Standard globe | |
|---------------------------------|----------------|
| Catalog number | DL010EUN0-TGC2 |
| Luminaire lumens | 10,739 |
| Luminaire efficacy rating (LER) | 148 |
| Input watts | 72.44 |
| Spacing criterion | 0.82 |
| Spacing criterion (90–270) | 0.82 |
| Spacing criterion (diagonal) | 1.46 |



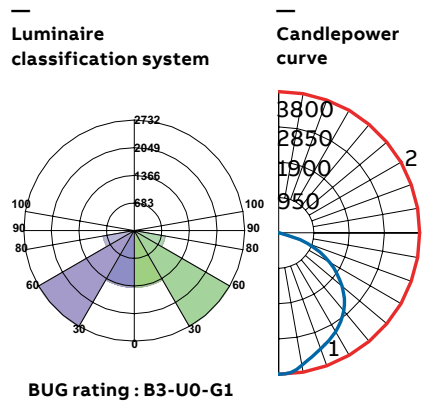
| Standard globe | |
|---------------------------------|----------------|
| Catalog number | DL015EUN0-TGC2 |
| Luminaire lumens | 16,110 |
| Luminaire efficacy rating (LER) | 155 |
| Input watts | 103.66 |
| Spacing criterion | 1.32 |
| Spacing criterion (90–270) | 1.32 |
| Spacing criterion (diagonal) | 1.58 |



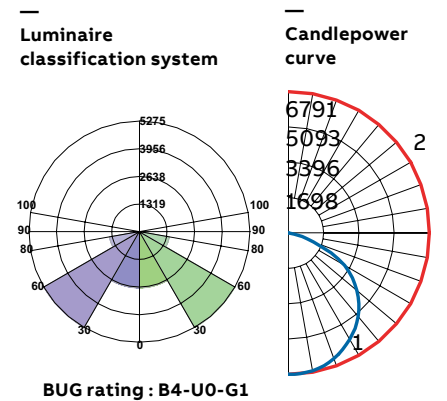
| Standard globe | |
|---------------------------------|----------------|
| Catalog number | DL020EUN0-TGC2 |
| Luminaire lumens | 20,530 |
| Luminaire efficacy rating (LER) | 148 |
| Input watts | 139.02 |
| Spacing criterion | 1.10 |
| Spacing criterion (90–270) | 1.10 |
| Spacing criterion (diagonal) | 1.56 |



| CUT reflector | |
|---------------------------------|-----------------|
| Catalog number | DL010EUN0-CUTC2 |
| Luminaire lumens | 9,846 |
| Luminaire efficacy rating (LER) | 136 |
| Input watts | 72.47 |
| Spacing criterion | 1.22 |
| Spacing criterion (90–270) | 1.22 |
| Spacing criterion (diagonal) | 1.38 |



| CUT reflector | |
|---------------------------------|-----------------|
| Catalog number | DL020EUN0-CUTC2 |
| Luminaire lumens | 18,841 |
| Luminaire efficacy rating (LER) | 136 |
| Input watts | 138.8 |
| Spacing criterion | 1.30 |
| Spacing criterion (90–270) | 1.30 |
| Spacing criterion (diagonal) | 1.42 |

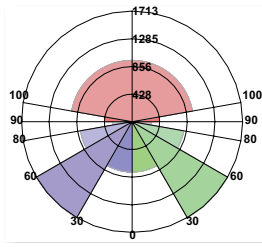


Hazlux® H3 LED

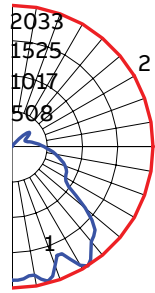
PHOTOMETRY

| R5 globe | |
|---------------------------------|----------|
| Catalog number | DL010-R5 |
| Luminaire lumens | 9763 |
| Luminaire efficacy rating (LER) | 132 |
| Input watts | 75 |
| Spacing criterion | 1.42 |
| Spacing criterion (90-270) | 1.42 |
| Spacing criterion (diagonal) | 1.54 |

Luminaire classification system



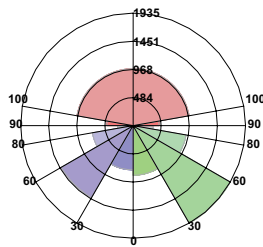
Candlepower curve



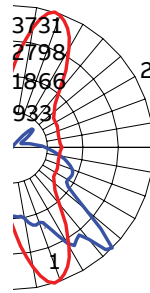
BUG rating : B2-U4-G3

| R3 globe | |
|---------------------------------|----------|
| Catalog number | DL010-R3 |
| Luminaire lumens | 9851 |
| Luminaire efficacy rating (LER) | 133 |
| Input watts | 75 |
| Spacing criterion | 1.40 |
| Spacing criterion (90-270) | 1.82 |
| Spacing criterion (diagonal) | 1.46 |

Luminaire classification system



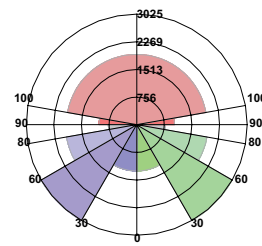
Candlepower curve



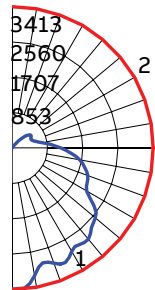
BUG rating : B2-U4-G3

| R5 globe | |
|---------------------------------|----------|
| Catalog number | DL020-R5 |
| Luminaire lumens | 18767 |
| Luminaire efficacy rating (LER) | 137 |
| Input watts | 137 |
| Spacing criterion | 1.44 |
| Spacing criterion (90-270) | 1.44 |
| Spacing criterion (diagonal) | 1.62 |

Luminaire classification system



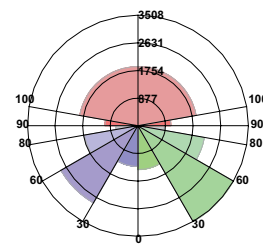
Candlepower curve



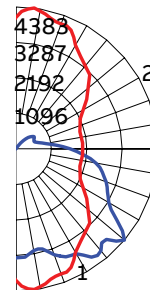
BUG rating : B2-U5-G5

| R3 globe | |
|---------------------------------|----------|
| Catalog number | DL020-R3 |
| Luminaire lumens | 18764 |
| Luminaire efficacy rating (LER) | 137 |
| Input watts | 137 |
| Spacing criterion | 1.40 |
| Spacing criterion (90-270) | 1.90 |
| Spacing criterion (diagonal) | 1.58 |

Luminaire classification system



Candlepower curve

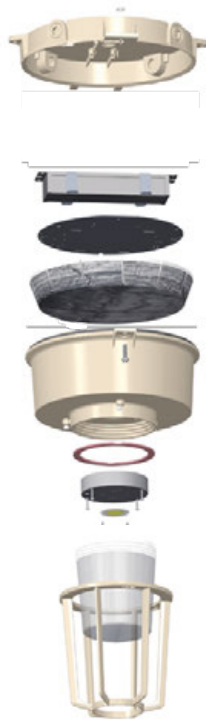


BUG rating : B3-U5-G5

Hazlux® H3 LED Series

MOUNTING AND OPTIONAL ACCESSORIES (sold separately)

Fixture assembly guide



1 Mounting options



2 LED driver tank



3 Globe or reflector



4 Guard (n/a for CUT)



Mounting accessories

| Part number | Description | Conduit hub size |
|-------------|---|------------------|
| VA2 | Cone-Top Pendant ¹ | 3/4" |
| VA3 | | 1" |
| VC2 | | 3/4" |
| VC3 | Ceiling & Pendant Mount ¹ | 1" |
| VB2-VIB | | 3/4" |
| VB3-VIB | Wall mount ¹ | 1" |
| P2 | | 3/4" |
| P3 | 1" | |
| VS4-VIB | 25° Angle Stanchion ¹ | 1-1/4" |
| VS5-VIB | | 1-1/2" |
| VL4-VIB | Straight Stanchion ¹ | 1-1/4" |
| VL5-VIB | | 1-1/2" |
| HV3* | Hazvertor™ Adaptor Ring Crouse-Hinds Ceiling, Pendant ² & Straight stanchion top hats ^{1,3} | |
| HV4* | Hazvertor™ Adaptor Ring Stanchion Angle Mount ^{1,3} | |
| HV5* | Hazvertor™ Adaptor Ring Wall Mount ^{1,3} | |

*HV3, HV4 and HV5 Hazvertors are CSA/CSAus certified

Note: For Canadian market, please add "-CA" to the part no. (ex: VA2-CA).

Globes or reflectors

| Part number | Description |
|-------------|--|
| VGT15 | Heat-Resistant Prismatic Glass Globe ⁴ |
| VGL15R1 | IES Type I Refractor Globe ⁴ |
| VGL15R3 | IES Type III Refractor Globe ⁴ |
| VGL15R5 | IES Type V Refractor Globe ⁴ |
| CUT | Dark Sky Cut-Off reflector with Polycarbonate Flat Lens ⁴ |

Note: For Canadian market, please add "-CA" to the part no. (ex: VGT15-CA).

Guards

| Part number | Description |
|-------------|-----------------|
| VGU22 | Cast Guard |
| VGU22P | Polymeric Guard |

¹ For stainless steel inserts, please add "SI" to part no. (ex:VA2SI)

² Not compatible with HPM2 crouse-hinds top hats

³ Some installations may not be compatible

⁴ Must be replaced by the same refractor.

Note: For Canadian market, please add "-CA" to the part no. (ex: VGU22-CA).

Hazvertor™ compatibility

The HazVertor™ adaptor ring is designed to let you quickly convert most Crouse-Hinds fixtures to Hazlux® H3 LED Generation 2 fixtures. It is available as an accessory or as an integral component to the Hazlux® H3 LED Generation 2 fixture.



01



02



03

- 01 HazVertor™ adaptor ring, model HV3
- 02 HazVertor™ adaptor ring, angle machining, model HV4
- 03 HazVertor™ adaptor ring, wall mount machining, model HV5

| Mounting | Crouse-Hinds model | Crouse-Hinds part number | HazVertor™ model |
|-------------------|--------------------|--------------------------|------------------|
| Pendant | APM2 3/4 in. | APM2 | HV3 |
| | APM3 1 in. | | |
| Ceiling | CM2 3/4 in. | APM3 | HV3 |
| | CM3 1 in. | | |
| | | CM2 | HV3 |
| Wall | TWM2 3/4 in. | TWM2 | HV5 |
| | TWM3 1 in. | | |
| | | TWM3 | HV5 |
| Stanchion | JM5 1-1/2 in. | JM5 | HV4 |
| | PM5 1-1/2 in. | PM5 | HV3 |
| Quad mount | QM25 3/4 in. | QM25 | HV3 |



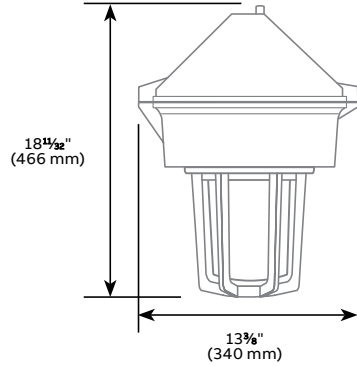
Hazlux® H3 LED Series

DIMENSIONS

Dimensions are approximate and subject to change.

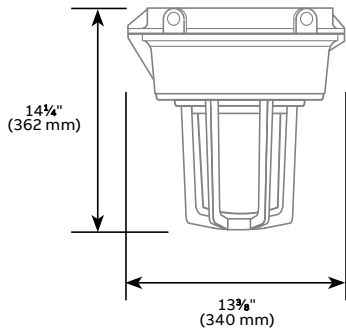
Cone-top pendant

7.3 kg | 16 lbs



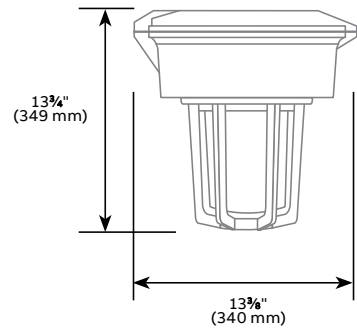
Ceiling and pendant mount

7.3 kg | 16 lbs



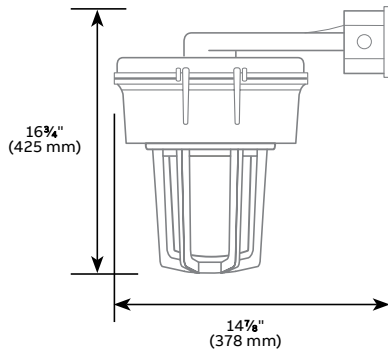
Pendant mount

6.8 kg | 15 lbs



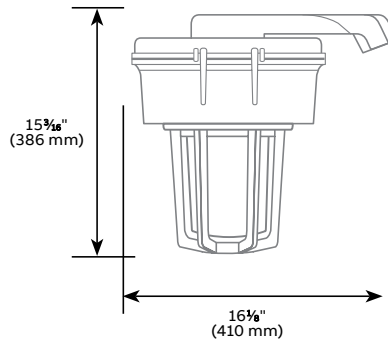
Wall mount

9.1 kg | 20 lbs



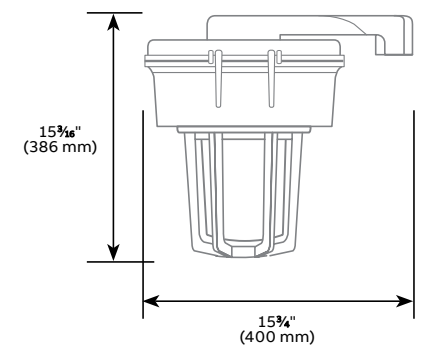
25° Angle stanchion

7.3 kg | 16 lbs



Straight stanchion

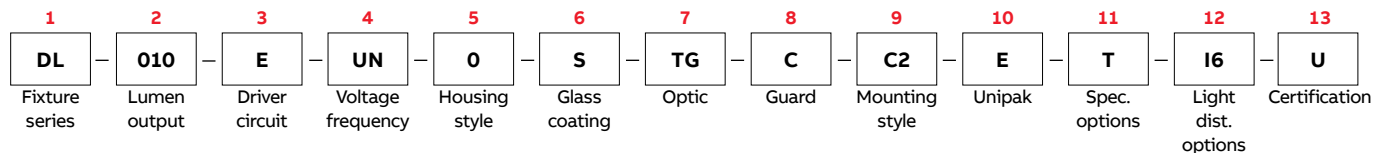
7.3 kg | 16 lbs



Hazlux® H3 LED Series

NUMBERING SYSTEM

Unipak™ = LED driver tank + optics and mountings + options (if necessary)



LED driver tank

| Part | Part number | Description |
|----------------------------|-------------|---|
| 1 Fixture series | DL | Hazlux H3 gen 2 |
| 2 Lumen output | 005 | 5,600 lumens, 37 W |
| | 007 | 7,500 lumens, 48 W |
| | 010 | 10,500 lumens, 74 W |
| | 015 | 15,800 lumens, 103 W |
| | 017 | 17,300 lumens, 115 W |
| | 020 | 20,100 lumens, 138 W |
| 3 Driver circuit | E | Electronic LED driver with dimming 0–10 VDC |
| 4 Voltage / Frequency | UN | Universal 120–277 V AC 50/60 Hz (voltage range includes 208 V, 220 V, 240 V etc.) |
| | UN2 | Universal 347–480 V AC 50/60 Hz |
| 5 LED driver housing style | O | Standard housing |
| | S | Standard housing with stainless-steel insert |

Optics

| Part | Part number | Description |
|-----------------|--------------|---|
| 6 Glass coating | Blank | No teflon coating |
| | S | Teflon coating ¹ |
| 7 Optic | TG | Thermal shock-resistant glass globe |
| | R1 | Type I glass refractor globe |
| | R3 | Type III glass refractor globe |
| | R5 | Type V glass refractor globe |
| | CUT | Dark sky cut-off polycarbonate flat lens ^{1,2} |
| 8 Guard option | Blank | No guard |
| | C | Cast aluminum guard ³ |
| | L | Polymeric guard ³ |

¹ Teflon coating NOT applicable to CUT.

² CUT optics: 3000K < CCT for Dark sky. Cannot be used with stanchion mount. Not suitable for Class II, Division 1

³ Cannot be used with CUT

Mounting

| Part | Part number | Description |
|------------------|--------------|--|
| 9 Mounting style | A2 | ¾" Cone-top pendant |
| | A3 | 1" Cone-top pendant |
| | B2 | ¾" Wall mount |
| | B3 | 1" Wall mount |
| | C2 | ¾" Ceiling mount / pendant |
| | C3 | 1" Ceiling mount / pendant |
| | HV3 | Hazvertor™ adaptor ring Crouse-Hinds® ceiling, pendant ² and straight stanchion top hats ¹ |
| | HV4 | Hazvertor adaptor ring stanchion angle mount ¹ |
| | HV5 | Hazvertor adaptor ring wall mount ¹ |
| | L4 | 1¼" Straight stanchion |
| | L5 | 1½" Straight stanchion |
| | P2 | ¾" Rigid pendant |
| | P3 | 1" Rigid pendant |
| | S4 | 1¼" 25° Angle stanchion |
| | S5 | 1½" 25° Angle stanchion |
| | Blank | No mounting (to replace existing fixt.) |
| 10 Unipak | E | (Standard, Unipak with LED lamp) |

¹ HV3, HV4 and HV5 hazvertors are CSA/CSAus certified

Options

| Part | Part number | Description |
|-------------------------------|--------------|---|
| 11 Special options | T | Hazcote® black custom anti-corrosion coating (consult ABB rep) ¹ |
| | G | Gray color option |
| 12 Light distribution options | I3 | Internal reflector 35° beam angle ² |
| | I4 | Internal reflector 45° beam angle ² |
| | I6 | Internal reflector 65° beam angle ² |
| | Blank | 5000K |
| | K30 | 3000K ¹ |
| | K35 | 3500K ¹ |
| | K40 | 4000K ¹ |
| 13 Certification | U | U.S market |
| | Blank | Canadian market |

¹ Option subject to extended lead time.

² DL005, DL007 and DL010 only, maximum 40 °C (104 °F) ambient temperature, cannot be combined with refractors and CUT. Cannot be added in the field.