

We reserve all rights in this document and in the information contained therein. Reproduction, use or disclosure to third parties without express authority is strictly forbidden. © ABB 19

Pos. Läge	R connects förbinder	H connects förbinder
1		2-20
2		3-20
3		4-20
4		5-20
5		6-20
6		7-20
7		8-20
8		9-20
9	17-18	10-20
10		11-20
11		12-20
12		13-20
13		14-20
14A		15-20
14		16-20
15		17-20
16		1-20
16A		2-20
17		3-20
18		4-20
19		5-20
20		6-20
21		7-20
22	17-19	8-20
23		9-20
24		10-20
25		11-20
26		12-20
27		13-20
28		14-20
29		15-20

A position with letter is a through position and gives the same voltage as the normal position.

Läge med bokstav är ett genomloppsläge och ger samma spänning som normalläget.

1) Connections between the terminals 20 of the three phases are included in the star-point type.

Förbindningar mellan uttag 20 i de tre faserna ingår i nollpunktsutförandet.

On-load tap-changer type UZER., UZFR., 29 tap positions, plus/minus switching.

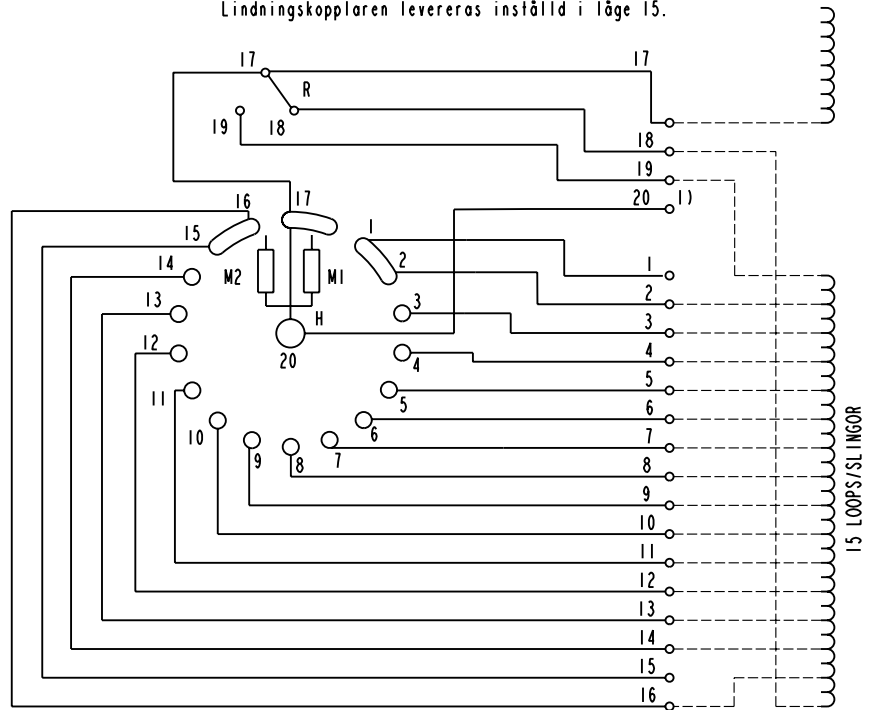
Min effective No. of turns in pos. 1.

The tap-changer is delivered set in pos. 15.

Lindningskopplare typ UZER., UZFR., 29 lägen, plus/minus-koppling.

Min antal effektiva varv i läge 1.

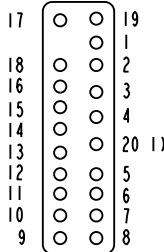
Lindningskopplaren levereras inställd i läge 15.



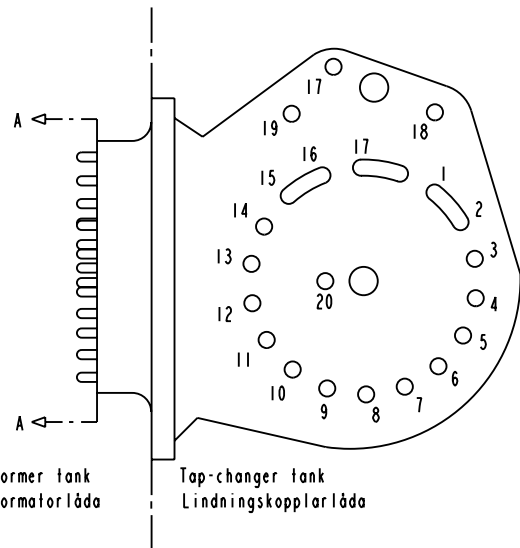
The tap-changer is shown in pos. 15
Lindningskopplaren visad i läge 15

- R Change-over selector
Plus/minus-omkopplare
- H Main contact
Huvudkontakt
- M1, M2 Transition contacts
Motståndskontakter

Terminal board
Plint



Section A-A
Sektion A-A



Transformer tank
Transformatorlåda

Tap-changer tank
Lindningskopplarlåda

Sheet	Cont
Year	Week
Dept	
Rev In	Revision
Appd	Year
Week	
Accepted by	Accepted for prod by
Design checked by	Design checked by
Drawn by	Drawn by
Issued by	Dept
Year	Week
Lang	Sheet
Rev In	Cont



Asea Brown Boveri

Description (English)
CONNECTION DIAGRAM

DATAORIGINAL

Description (own language)
KOPPLINGSSHEMA

File name
0397-11

5492 0397-11