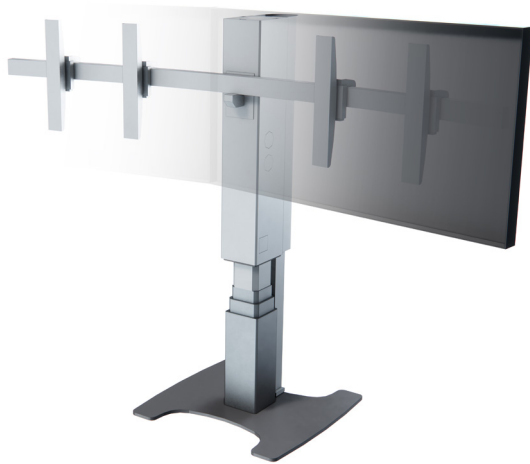

FUNCTIONAL OVERVIEW

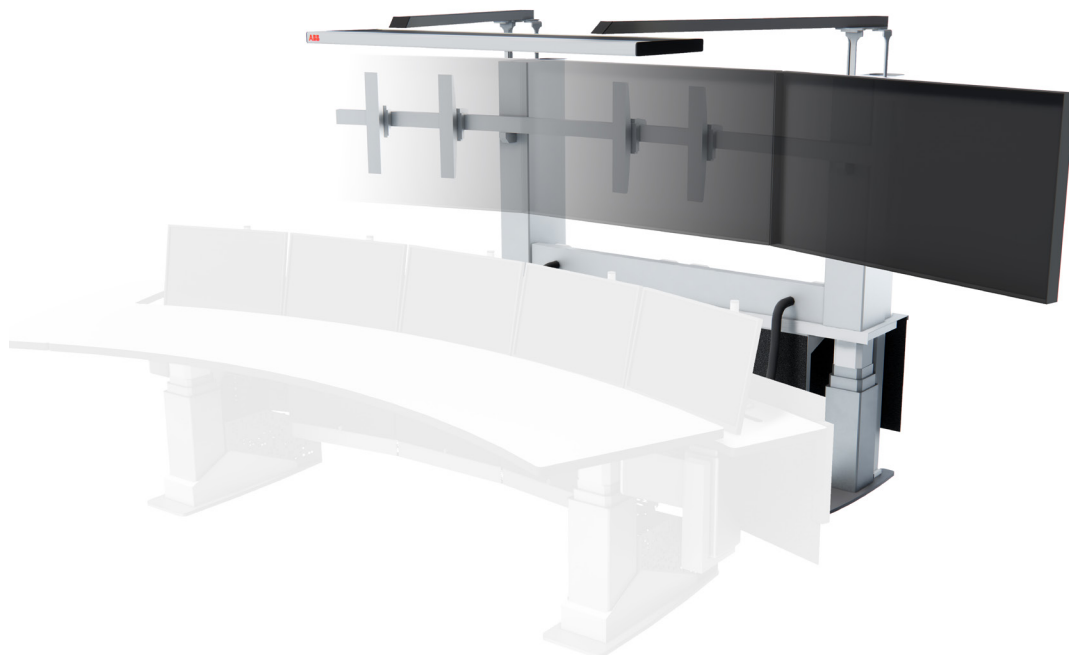
MultiScreen Holder



A flexible and ergonomic large screen solution

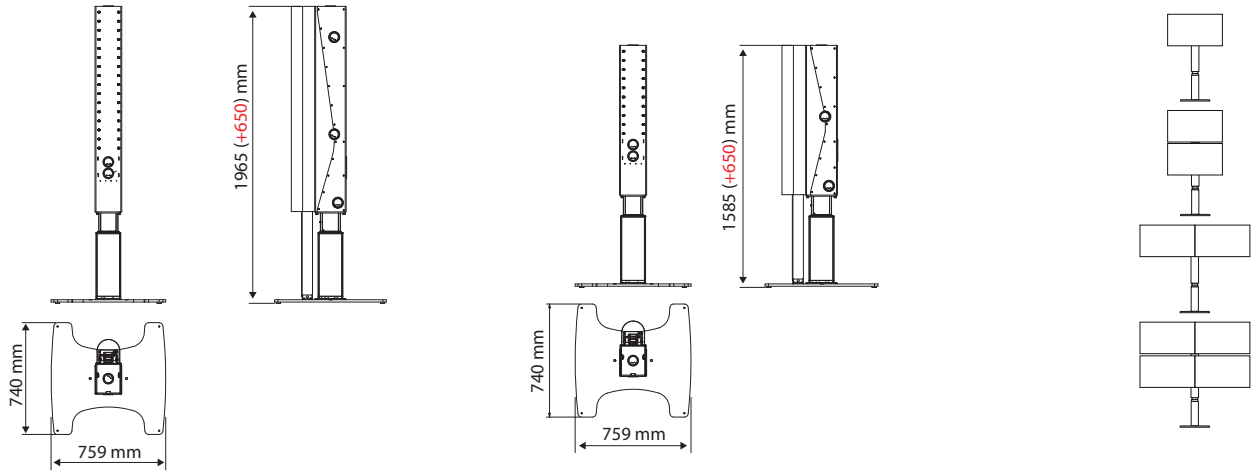
The MultiScreen Holder offers an ergonomic solution for complementary large monitors in the control room environment.

- Available as non motorized versions
- Optional DSLX lighting module
- Power: 115 - 230 V, 50 - 60 Hz / 340 VA
- Adjustable VESA monitor mounts
- Integrated with other ABB control room solutions products
- Available in 2 different heights and with two and one pillar versions.

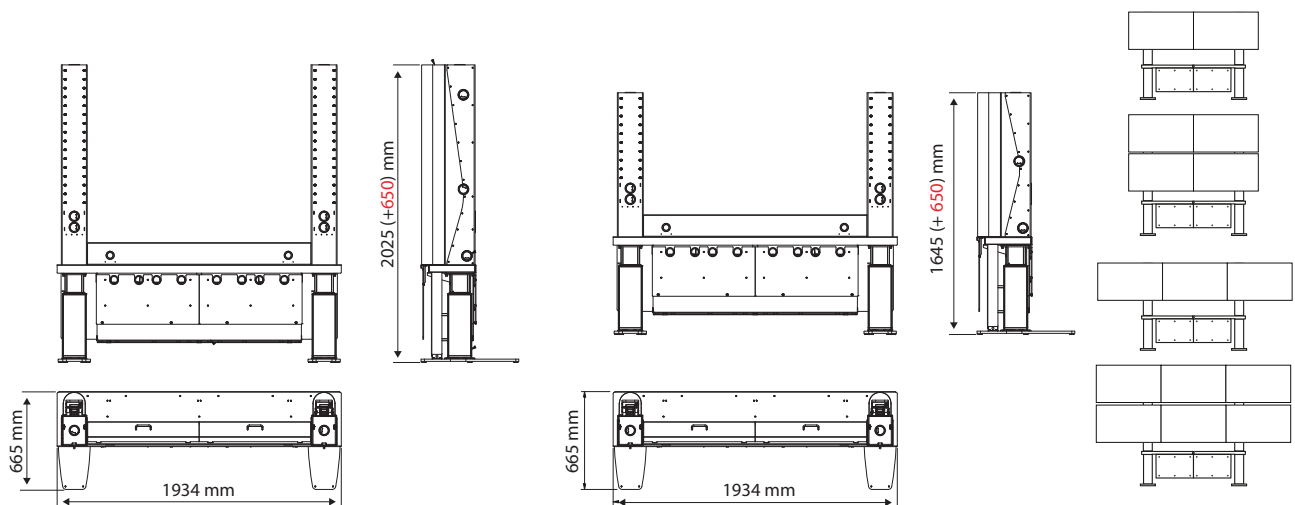


The larger 3x1 monitored Multiscreen Holder pictured above is equipped with the optional DSLX lighting module.

One pillar



Two pillars



Drawings of non-motorized versions available on request

abb.com
new.abb.com/control-rooms

All rights to other trademarks reside with their respective owners.

We reserve the right to make technical changes to the products or modify the contents of this document without prior notice. With regard to purchase orders, the agreed particulars shall prevail. ABB does not assume any responsibility for any errors or incomplete information in this document.

We reserve all rights to this document and the items and images it contains. The reproduction, disclosure to third parties or the use of the content of this document – including parts thereof – are prohibited without ABB's prior written permission.

Copyright © 2020 ABB
 All rights reserved