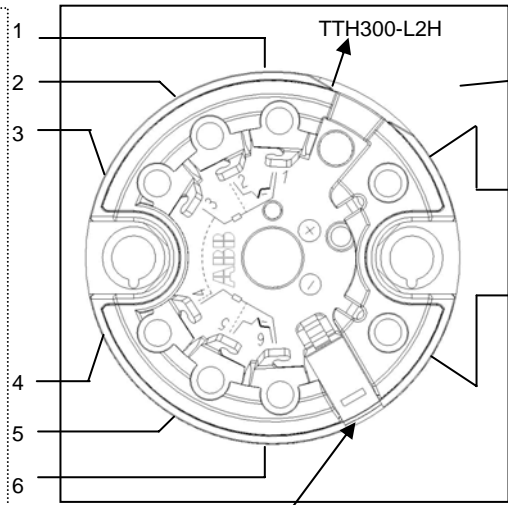
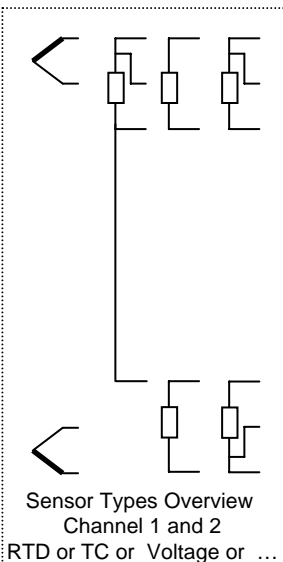


Hazardous Location

Sensors must be FM approved or be a simple apparatus. Simple apparatus is a device which will neither generate or store more than 1.5 V; 0.1 A; 25 mW or 20 µJ such as switches; RTD's, TC or LED's

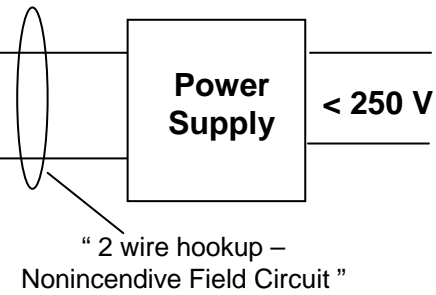


HMI / Display – Interface
(Protection Cover, open with screw before connect !)

AGLF, AGSF, AGLFD,
AGSFD Enclosure Type 4X

Apparatus Input Values
V max <= 30.0 V ; I max <= 130 mA

Non – Hazardous Location



Sensor Field Circuit Nonincendive Parameters

Class I Div. 2; Groups: A,B,C,D
or Class 1 Zone 2 Group IIC T6
Temp.Ident: T6 at Tamb = 56 °C;
T5 at Tamb = 71 °C;
T4 at Tamb = 85 °C;

Voc = 6.5 V; Isc < 25.0 mA; Po = 38 mW
Terminals: 1,2,3,4,5,6
GP A,B Ca = 1.55 µF; La = 5.0 mH
C,D Ca = 8.75 µF; La = 5.0 mH

HMI / Display Interface Nonincendive Output Parameters

Voc = 6.2 V;
Isc < 65.2 mA;
Po = 101 mW
Terminals: 6 PIN Connector
GP A,B Ca = 1.4 µF; La = 5.0 mH
C,D Ca = 8.9 µF; La = 5.0 mH

Nonincendive Class I Div.2 Groups A, B, C, D and suitable for Class II and III Div.2 Groups E,F,G Hazardous Location Installations.

1. Install per National Electrical Code (NEC) using Threaded Metal Conduit.
2. Warning:
Explosion Hazard – Do not disconnect equipment unless power has been switched off, or the area is known to be non-hazardous.
Warning: Substitution of components may impair suitability for class I Division 2.
3. A dust tight seal must be used at the conduit entry, when the transmitter is used in a class II & III Location.

Temperature Transmitter Model “TTF300” ordering code “TTF300-L2...” is an Temperature Transmitter Type TTH300-L2 which is installed in an enclosure type AGLF, AGSF , AGLFD or AGSFD w/wo FM approved display HMI-Ex type A

Rev.	Desc.	Date	Name
1.03	HART	17.07.07	Zeiger
1.02	FM-Report	05.10.06	Zeiger
1.01	FM input	10.07.06	Zeiger
1.00	Release	23.05.06	Zeiger



Title: TTF300 HART N. I. Temperature Transmitter Control Drawing		Scale: -----
Drawing / Part No.: SAP_214830		Page : of 1 / 1
Replacement of: -----		