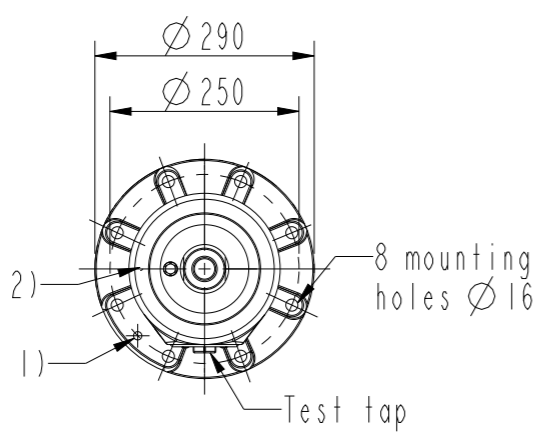
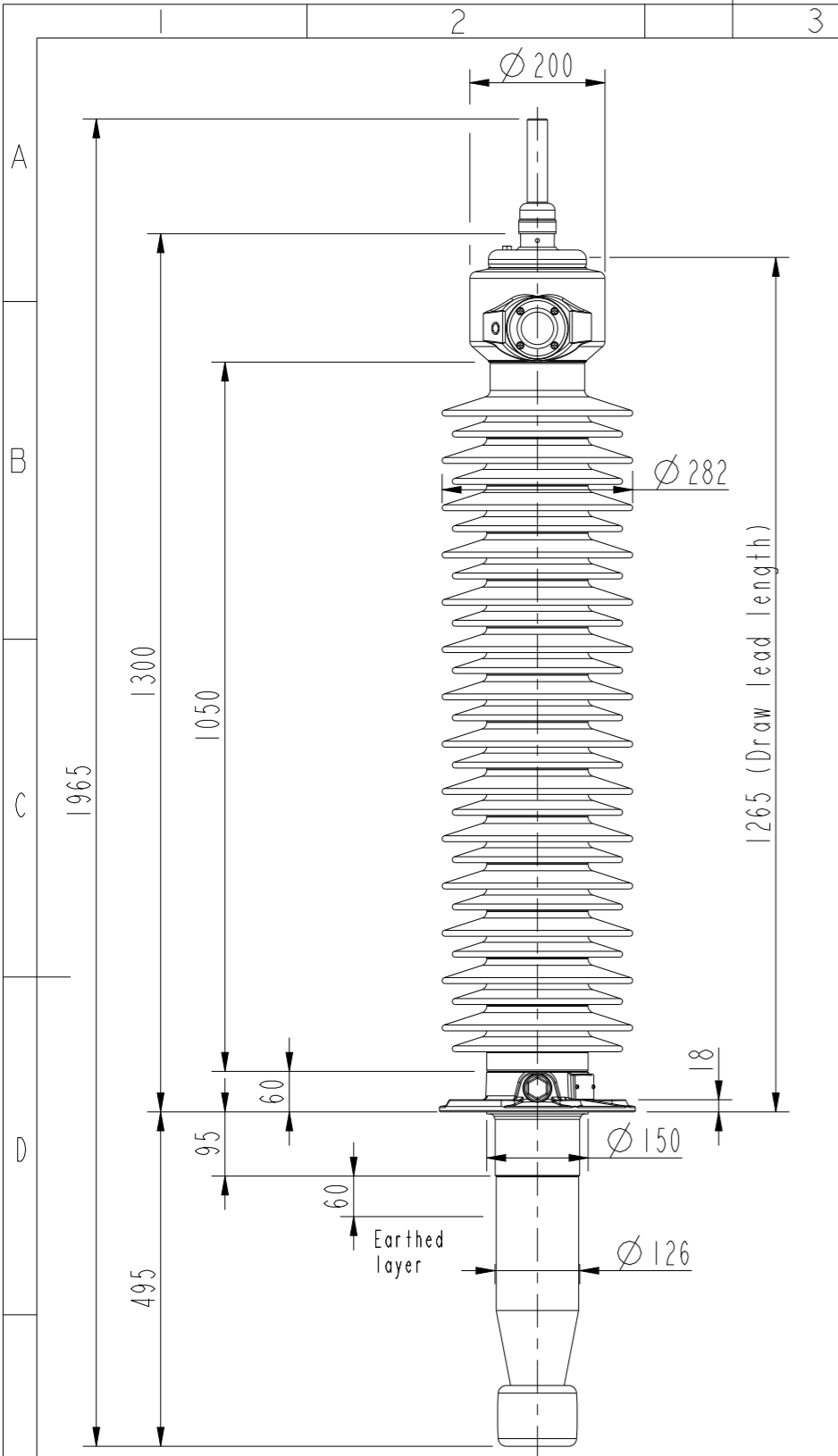
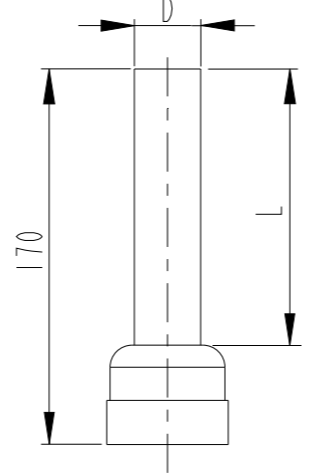


This document is issued by means of a computerized system. The digitally stored original is electronically approved. The approved document has a date entered in the "Approved"-field. A manual signature is not required.

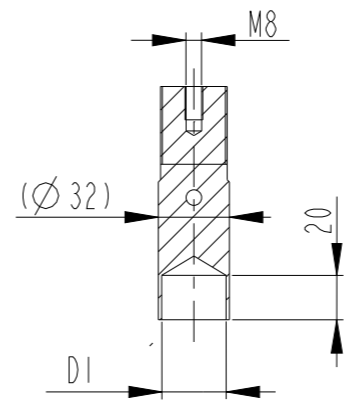
We reserve all rights in this document and in the information contained therein. Reproduction, use or disclosure to third parties without express authority is strictly forbidden.



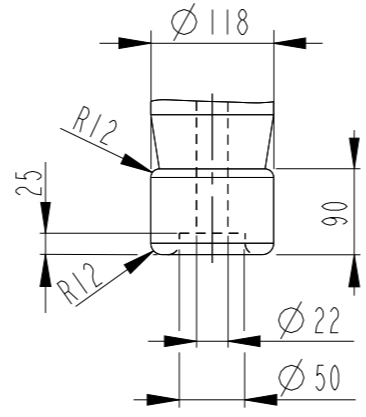
**OUTER TERMINAL**



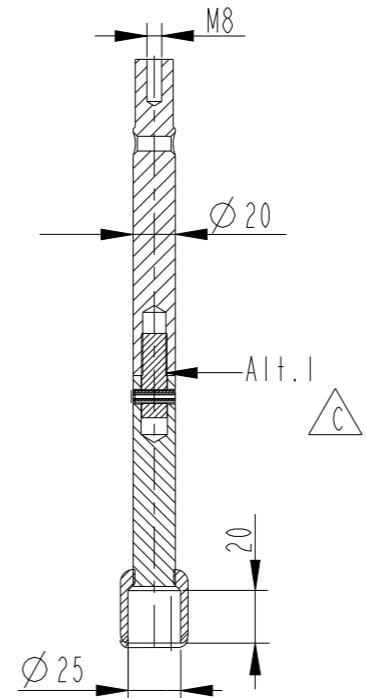
**INNER TERMINAL FOR STRANDED CABLE**



**End Shield**



**SOLID ROD CONNECTOR**



The solid rod can be divided either:  
Alt.1: 20mm below the bushing flange

Revision	Revision text
C	Mass corrected, "HK & HL" bushings added. Oil hole note added. Model updated and redrawn in creo, Alt.2 removed, Phase to ground value changed from 123 to 98kV.

**Bushing Data:**

Rated Voltage	170	kV
Phase to Ground Voltage	$\triangle C$ 98	kV
Dry Lightning Impulse 1,2/50 $\mu$ s	550	kV
Wet power frequency AC	230	kV
Routine test Imin dry 50Hz	260	kV
Rated Current	800	A
Creepage Distance	3890 $\pm$ 100	mm
Creepage Distance Protected	1530	mm
Mass	$\triangle C$ 86	kg

**Ordering Data:**

BUSHING	COLOUR	AIR INSULATOR
LF123189-K	BROWN	
LF123189-L	LIGHT GREY	
LF123189-HK $\triangle C$	BROWN	Horizontal 45°-90°
LF123189-HL $\triangle C$	LIGHT GREY	Horizontal 45°-90°
<b>OUTER TERMINAL</b>	Material	D L
LF 170 002-A	Cu alloy, $\phi$ 30, 125	
LF 170 001-A	Al, $\phi$ 30, 125	
OTHER TYPES ON REQUEST		
<b>INNER TERMINAL FOR STRANDED CABLE</b>		
<b>For brazing</b>	Conductor area	D1
LF 170 011-S	up to 150mm <sup>2</sup>	$\phi$ 18
LF 170 011-U	Undrilled with pilot hole	$\phi$ 5
<b>For crimping or brazing</b>	Conductor area	D1
LF 170 010-M	50mm <sup>2</sup>	$\phi$ 11
LF 170 010-N	70mm <sup>2</sup>	$\phi$ 13
LF 170 010-L	95mm <sup>2</sup>	$\phi$ 15
<b>SOLID ROD CONNECTOR</b>	Material	
LF 170 019 -AR for Alt.1	Cu	

- 1) M12 (For Earthing)
- $\triangle C$  2)  $\phi$  4 Oil connection hole (only valid for horizontal mounting)

ABB		Ludvika, Sweden	
No.	kV Ir	A 50/60 Hz	
$\circ$ Um	kV SIL	kV AC	kV $\circ$
M	kg L	mm $\checkmark$	
C1	pF Tan $\delta$	x	
C2	pF Tan $\delta$	x	

Approved 2019-05-07	Document Kind Outline Drawing	Based on doc.id	Work order id	Project id
Company ABB Technology Ltd	Title, Supplementary title GOB 550-800-0.1			
Responsible Department SEABB-9AAE300824	With oil level gauge Std. end shield			
<b>ABB</b>	Document id 2751369-205	Status Released	Revision C	Iteration 1/1