

14

13

12

11

CIRCUIT BREAKER TERMINAL LUG DATA			
CIRCUIT BREAKER CAT NO. PREFIX	AMPERE RATING	LUG TYPE	WIRE SIZE (AWG/KCMIL)
THQL,THHQL,THQL THQL-GF,TQLY60	15-25A	INCLUDED	(1)#14-8 CU/(1)#12-8 AL
	30-60A	INCLUDED	(1)#8-3 CU-AL
	70A	INCLUDED	(1)#6-1/0 CU/ (1)#4-1/0 AL

D

D

C

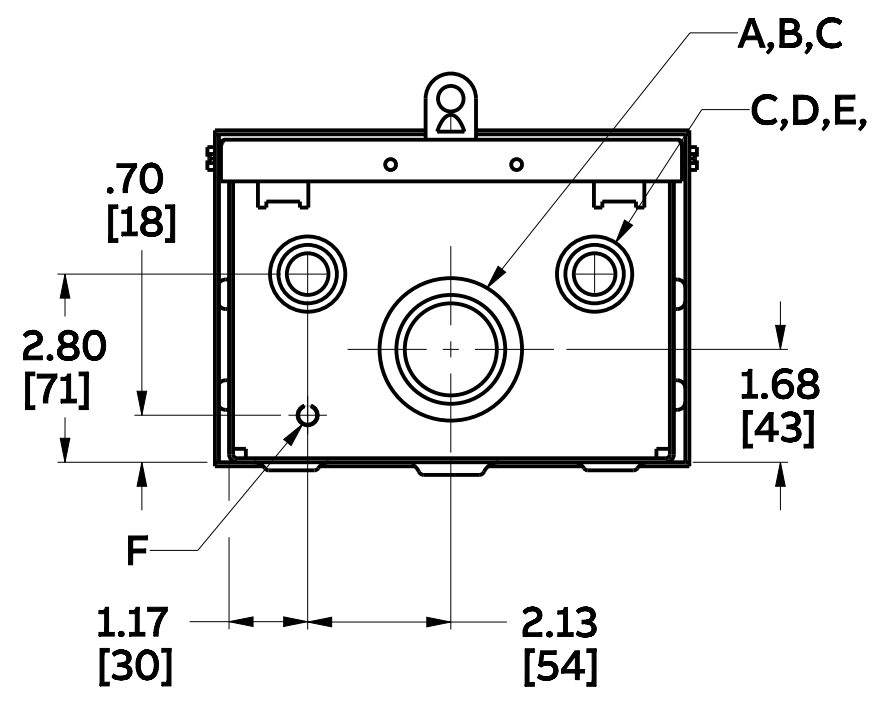
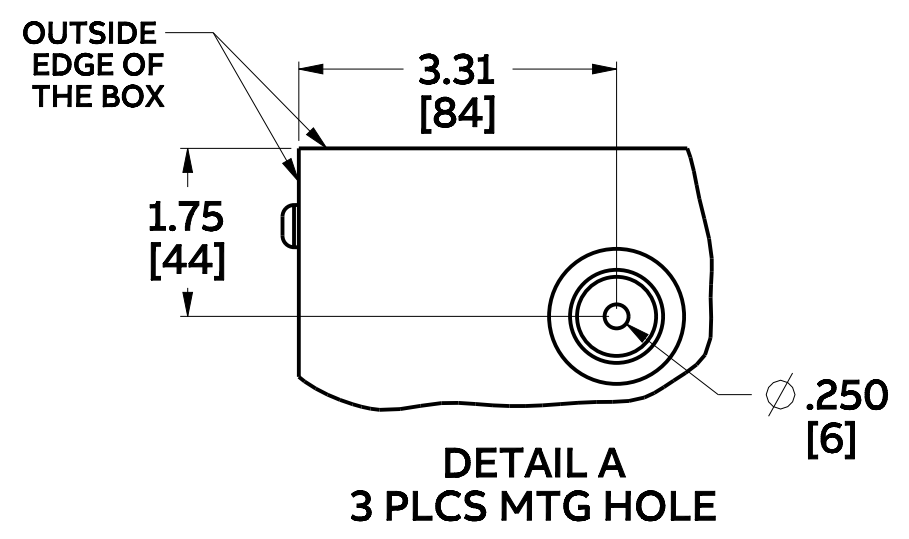
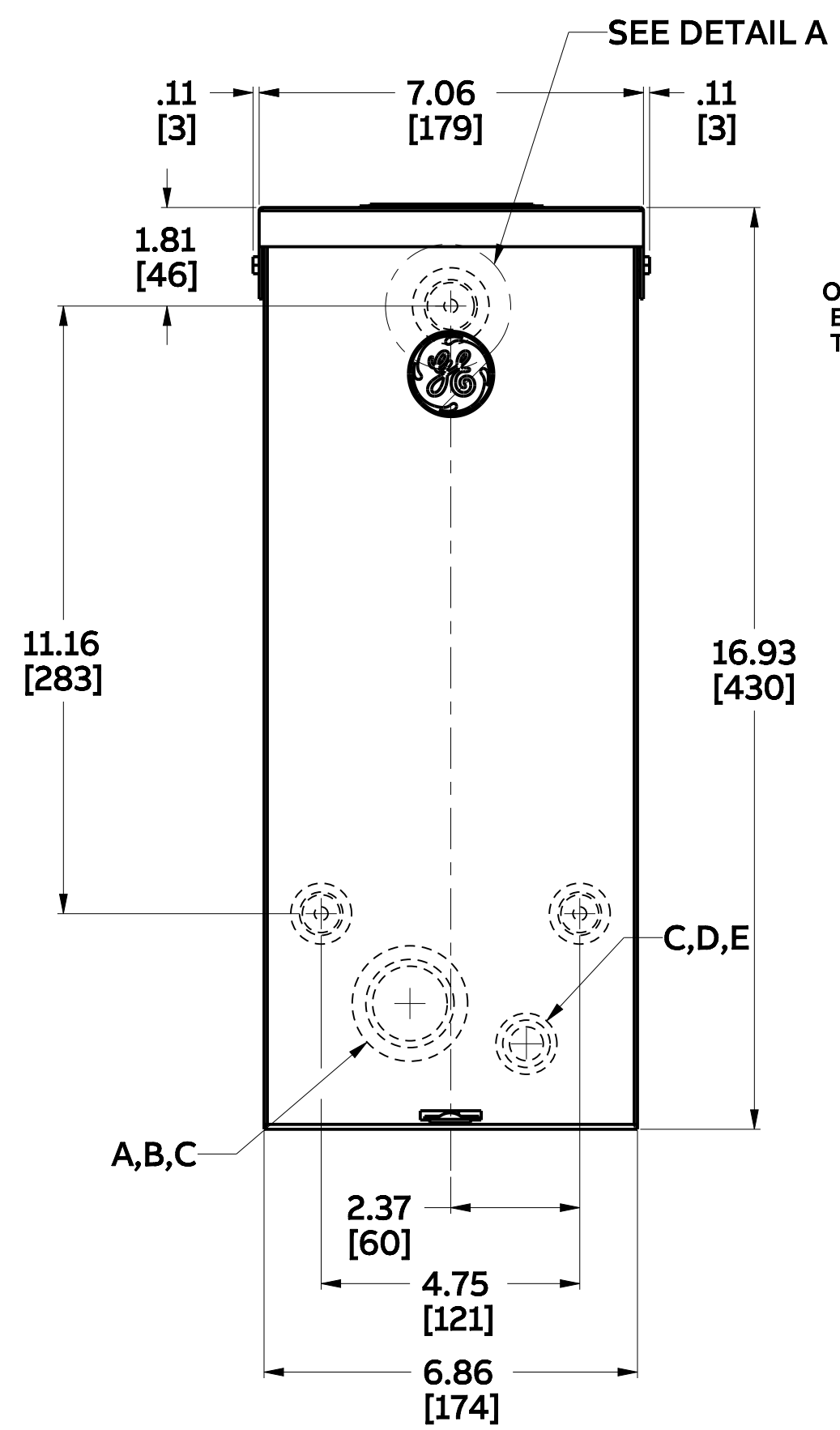
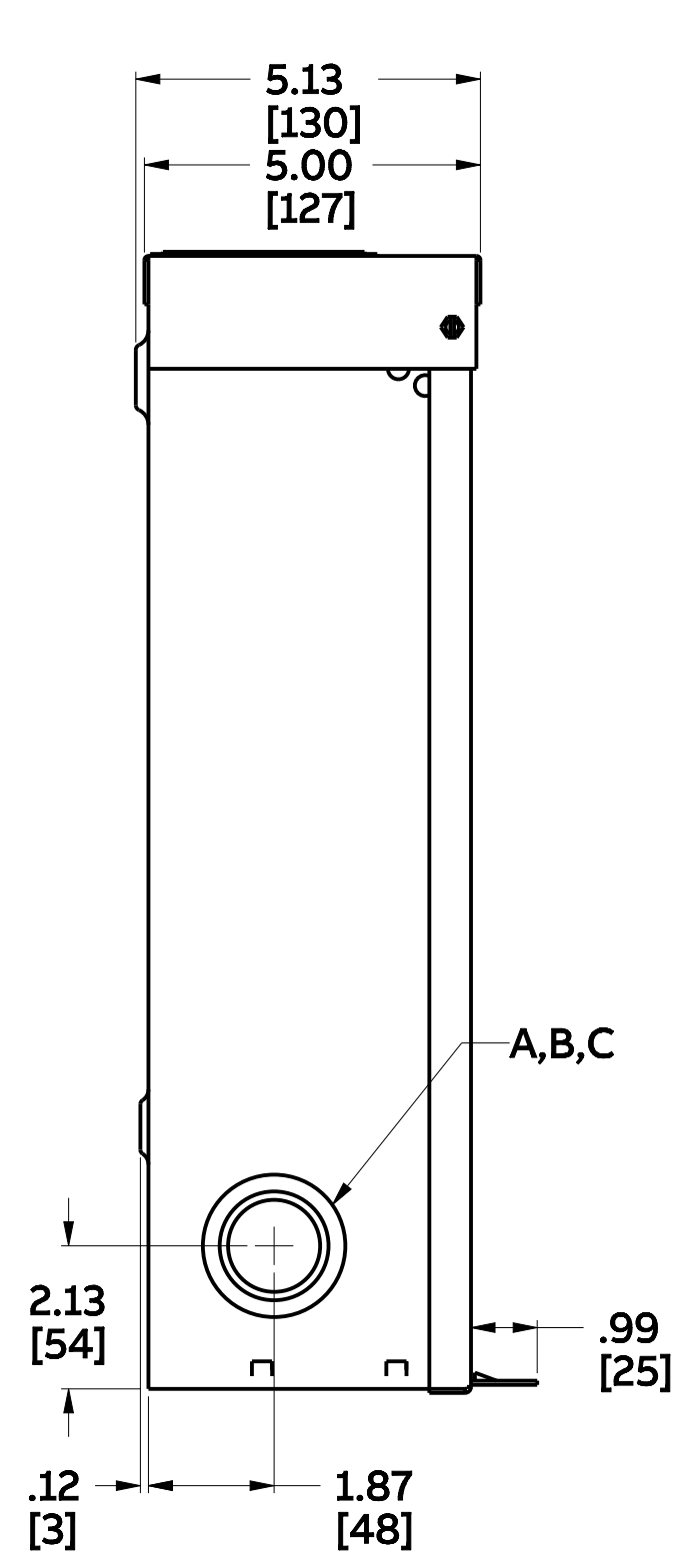
C

B

B

A

A



FIELD INSTALLABLE NEUTRAL ASSEMBLY AND GROUND KIT			
CAT NO. PREFIX	TYPE	AMPERE RATING	WIRE SIZE (AWG/KCMIL)
TGL1	GND KIT	70-125A	(4) #14-8 CU-AL (3) #14-4 CU-AL
INCLUDED	NEUTRAL ASM	100A	(1) #14-2 CU (1) #12-2 AL

KNOCKOUTS				
SYMBOLS	CONDUIT SIZE		DIAMETER	
	IN	MM	IN	MM
A	1 1/2	38	2	51
B	1 1/4	32	1 3/4	45
C	1	25	1 3/8	35
D	3/4	19	1 1/8	29
E	1/2	13	7/8	22
F	9/32	7	9/32	7

FOR USE 15-70A ABB
TYPE
THQL,THHQL,THQL
THQL-GF & TQLY60
DEVICES

DUAL DIMENSIONS INCHES
[MILLIMETERS]

- NOTES:
1. MATERIAL: LOW CARBON STEEL
 2. FINISH: ELECTROCOAT ENAMEL, GRAY
 3. AGENCY APPROVAL: cULus LISTED -FILE E11592
 4. SUITABLE FOR USE AS SERVICE EQUIPMENT WHEN NEUTRAL ASSEMBLY IS INSTALLED
 5. THE SHORT CIRCUIT RATING OF THIS ENCLOSED CIRCUIT BREAKER IS EQUAL TO THE INTERRUPTING RATING, AT THE SUPPLY VOLTAGE MARKED ON THE CIRCUIT BREAKER INSTALLED
 6. CONSULT BUYLOG FOR ALTERNATIVE LUGS

THIRD ANGLE	SHEET 1	DWG NO.	DATE	REV
	1 of 1	208C3061SH1	04/20	4

| **Industrial Solutions** |

OUTLINE DRAWING - NEMA TYPE 3R ENCLOSURE
TQL70R

14

13

12

11