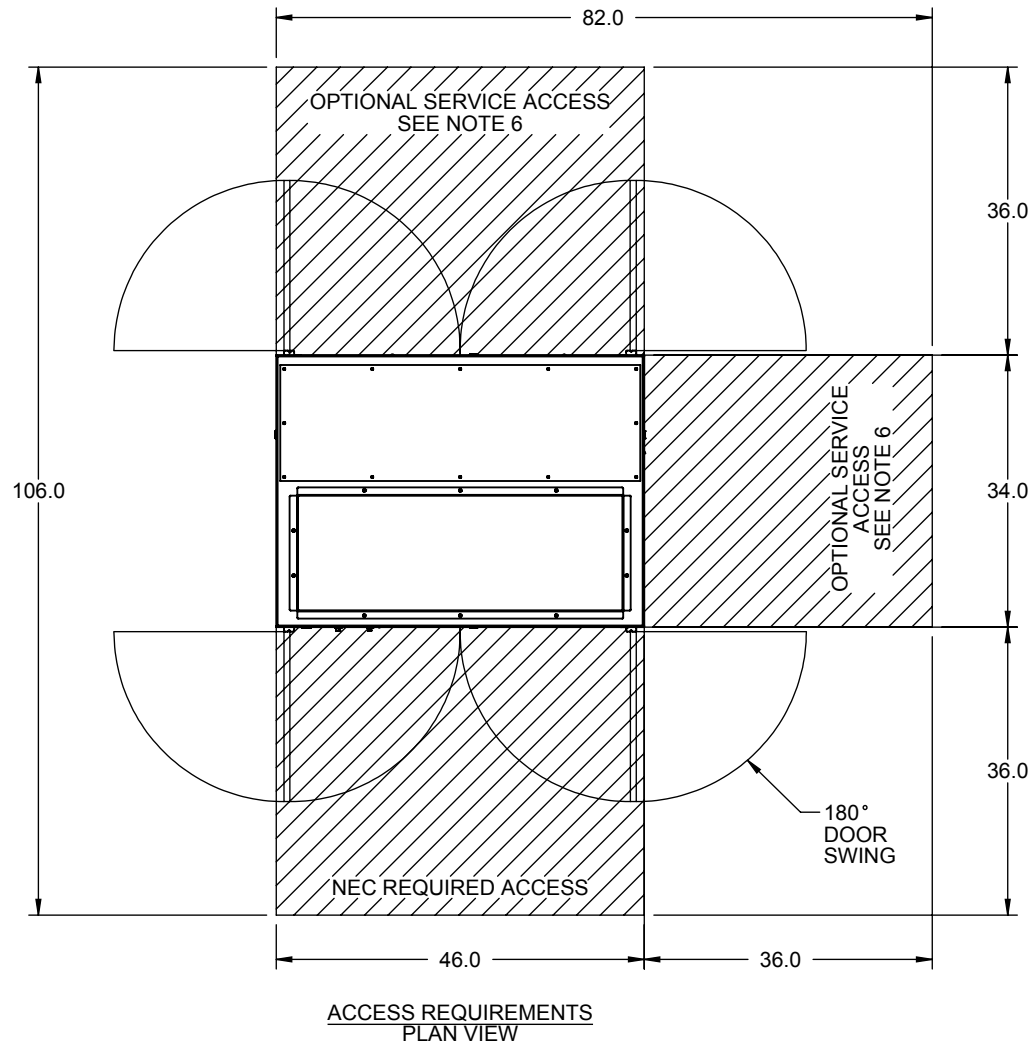
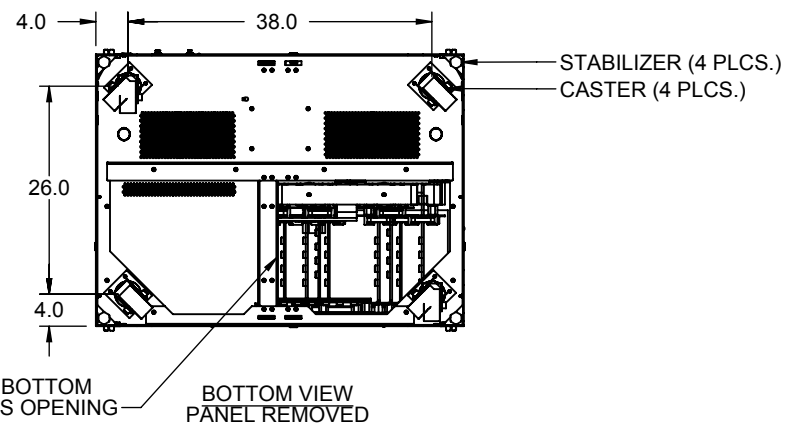
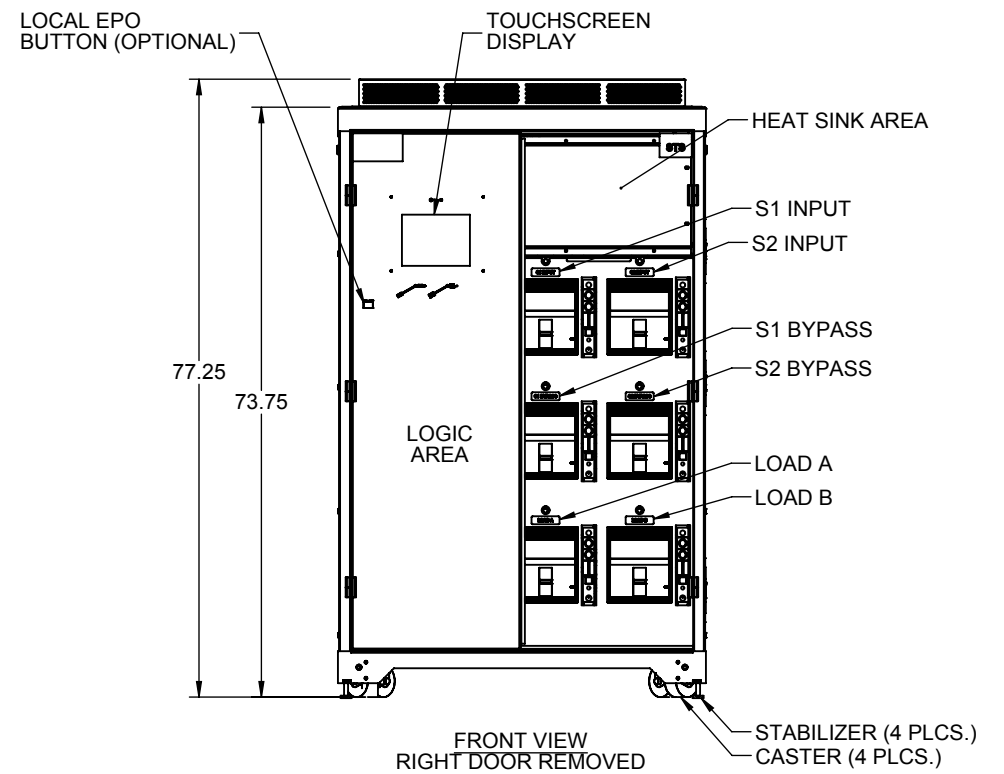
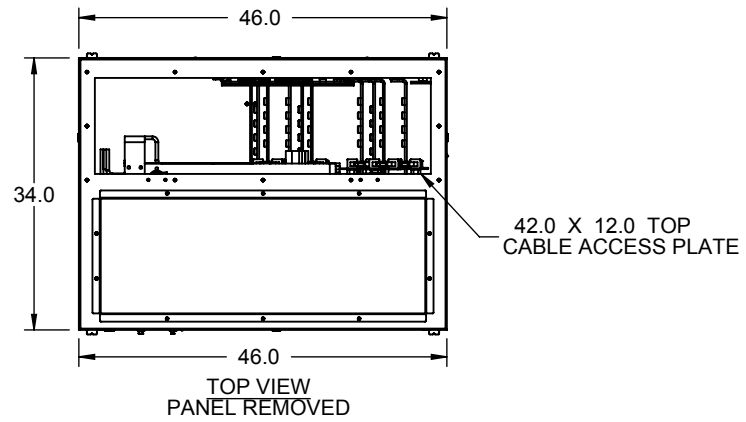
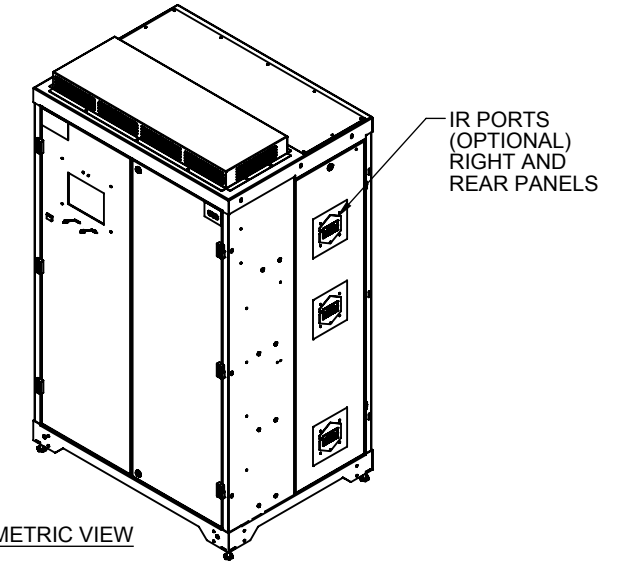


We reserve all rights in this document and in the information contained therein. Reproduction, use or disclosure to third parties without express authority is strictly forbidden. © Copyright 2014 ABB.



**NOTES:**

1. INSTALLATION SHALL COMPLY WITH ALL APPLICABLE NATIONAL, STATE, AND LOCAL CODES.
2. REFER TO PRODUCT DOCUMENTATION FOR ADDITIONAL DETAILS PRIOR TO SITE PREPARATION OR INSTALLATION.
3. OPERATING TEMPERATURE RANGE: 0° TO 40°C.
4. SYSTEM COOLING REQUIREMENTS: FORCED AIR COOLED.
5. SYSTEM WEIGHT: 800A = 1600 LBS (726 kg)  
1000A = 1700 LBS (772 kg)  
1200A = 1750 LBS (795 kg)
6. OPERATIONAL ACCESS VIA FRONT DOORS. MAINTENANCE AND CONNECTION ACCESS VIA FRONT DOORS AND REMOVEABLE SIDE PANEL OR REAR DOORS (DEPENDING ON ACCESS - SEE NOTE 7).
7. RECOMMENDED MINIMUM CLEARANCES:  
FRONT = 36"  
REAR = 0.00" IF RIGHT SIDE ACCESS IS AVAILABLE  
= 36.0" IF NO RIGHT SIDE ACCESS IS AVAILABLE  
LEFT SIDE = 0.00"  
TOP = 20.0"
8. SYSTEM MUST HAVE ALL PANELS AND DOORS INSTALLED FOR PROPER OPERATION.
9. FINISH: FRAME AND OUTER PANELS, POWDER COAT  
INTERIOR, GALVANIZED ZINC ELECTROPLATE
10. CABLE ENTRY TOP OR BOTTOM, AS CONFIGURED PER CUSTOMER SPECIFICATION (BOTTOM ENTRY SHOWN)
11. BUSBAR TERMINALS FURNISHED WITH NEMA 2-HOLE LANDINGS, 1/2-13 UNC THREAD. SEE SHEET 2 DETAILS E1 AND E2.
12. 800A-1000A DESIGNED FOR CABLE SIZES UP TO 4X 500MCM PER PHASE.
13. 1200A DESIGNED FOR CABLE SIZES UP TO 4X 750MCM PER PHASE.



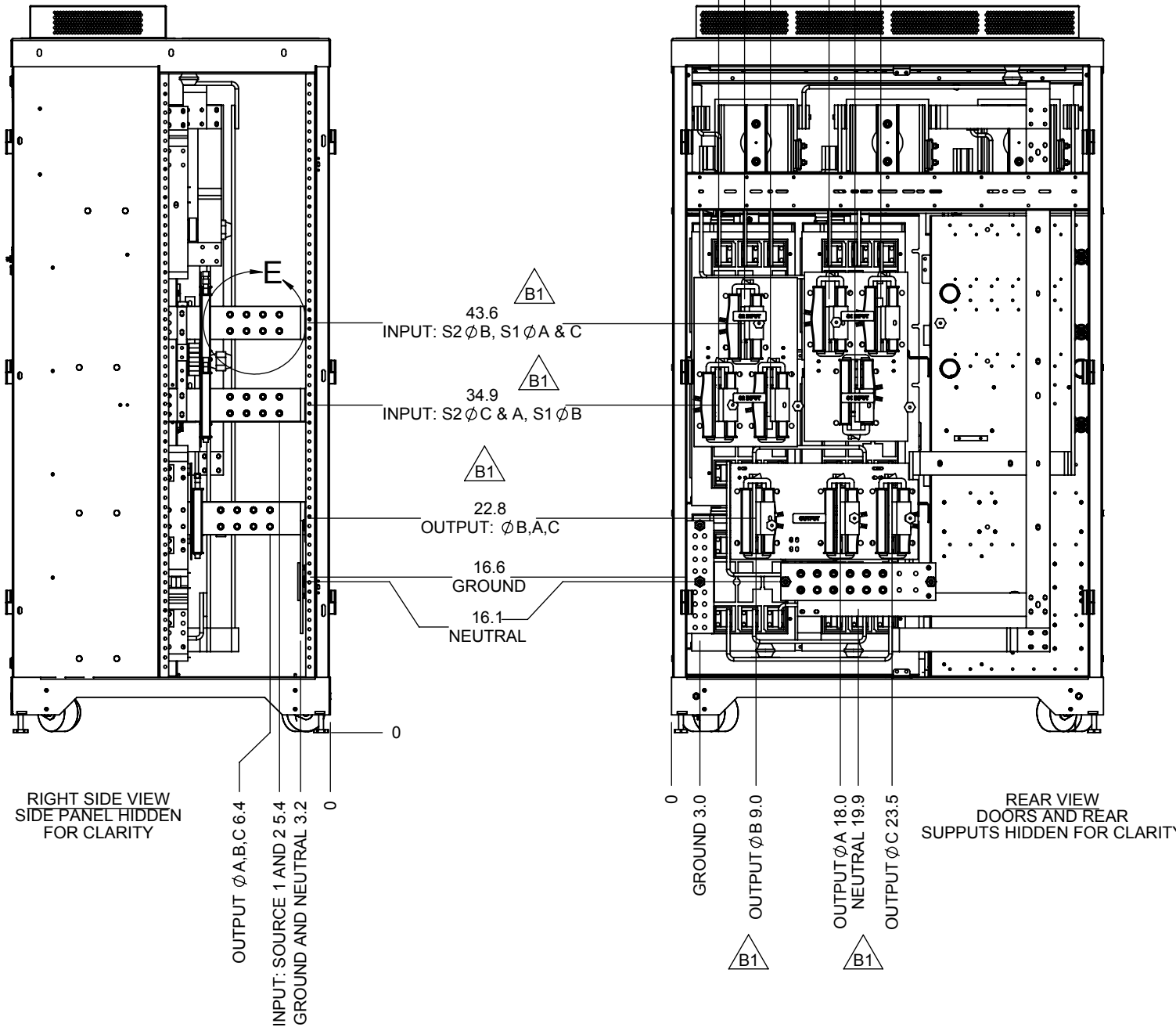
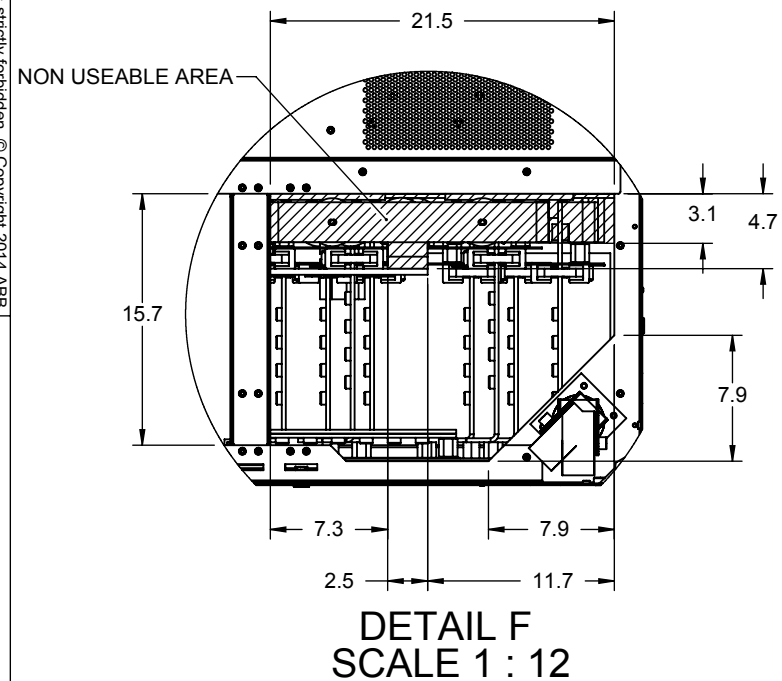
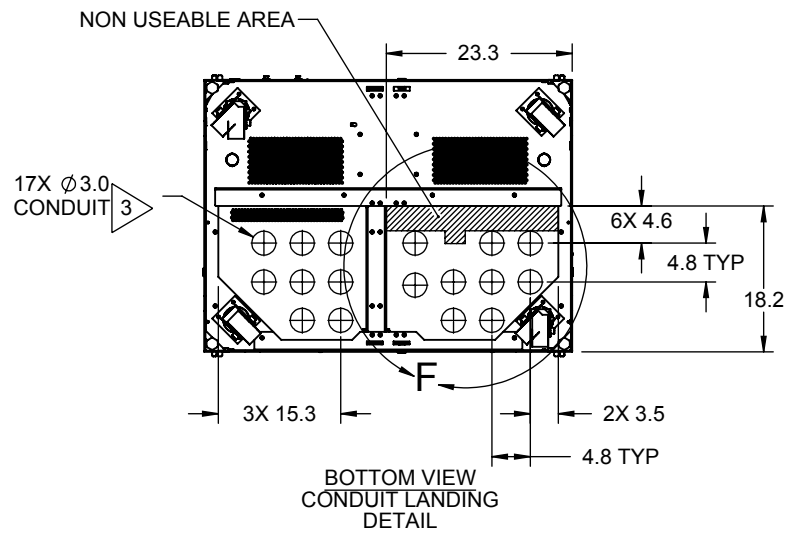
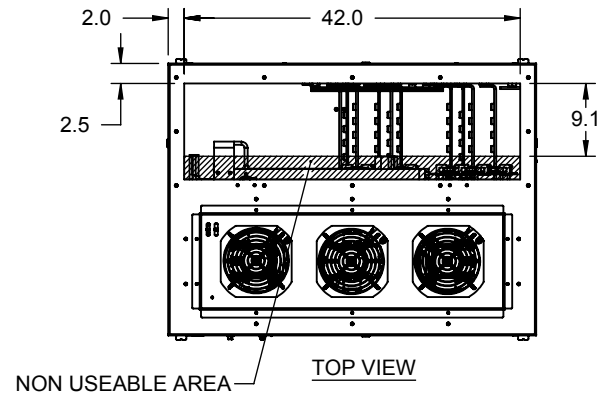
Rev.	ECN#	Resp.	Description	Date
B1		BRS	CORRECTED PH A&C INPUT AND OUTPUT PH NOTES	6/28/2018
B00	3027	GTM	ADDED 1200A	10/3/2017
A00	--	GTM	INITIAL RELEASE	11/25/2015

Revision Table

Units	Sheet Size	Scale	
Inch	B	1:24	
Item ID	Item Rev.	Date Drawn	
94-9200-0000011	-	11/25/2015	
Document ID	Doc. Rev.	Page	
94-9200-0000011	B1	1 / 2	

Material <b>SEE NOTES</b>	Finish <b>POWDERCOAT, SEE NOTES</b>	Prepared <b>T. Miller</b>	Title <b>DWG: OUTLINE, 800-1200A RA SS4</b>
Tolerances <b>N/A</b>		Approved <b>-</b>	
		Division/Dept. <b>DMPC/Power Protection</b>	<b>ABB</b> Document Kind <b>OutlineDrawing</b>

We reserve all rights in this document and in the information contained therein. Reproduction, use or disclosure to third parties without express authority is strictly forbidden. © Copyright 2014 ABB



**NOTES:**

1. INSTALLATION SHALL COMPLY WITH ALL APPLICABLE NATIONAL, STATE, AND LOCAL CODES.
2. REFER TO PRODUCT DOCUMENTATION FOR ADDITIONAL DETAILS PRIOR TO SITE PREPARATION OR INSTALLATION.
3. CONDUITS HOLES AND LOCATIONS FOR REFERENCE ONLY. HOLES TO BE DRILLED/PUNCHED IN THE FIELD.

