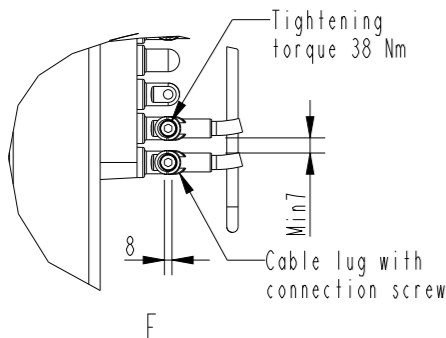
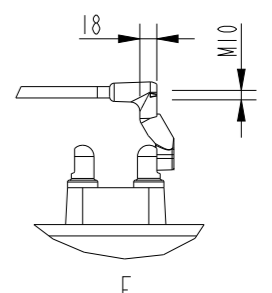
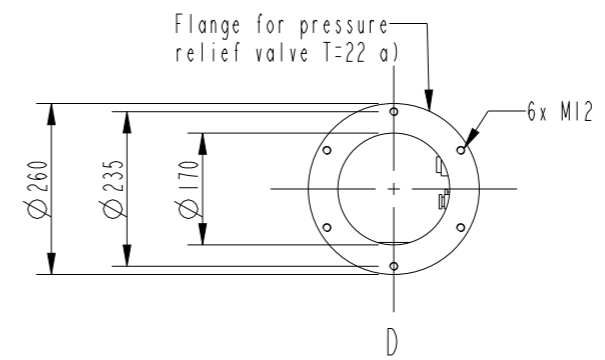
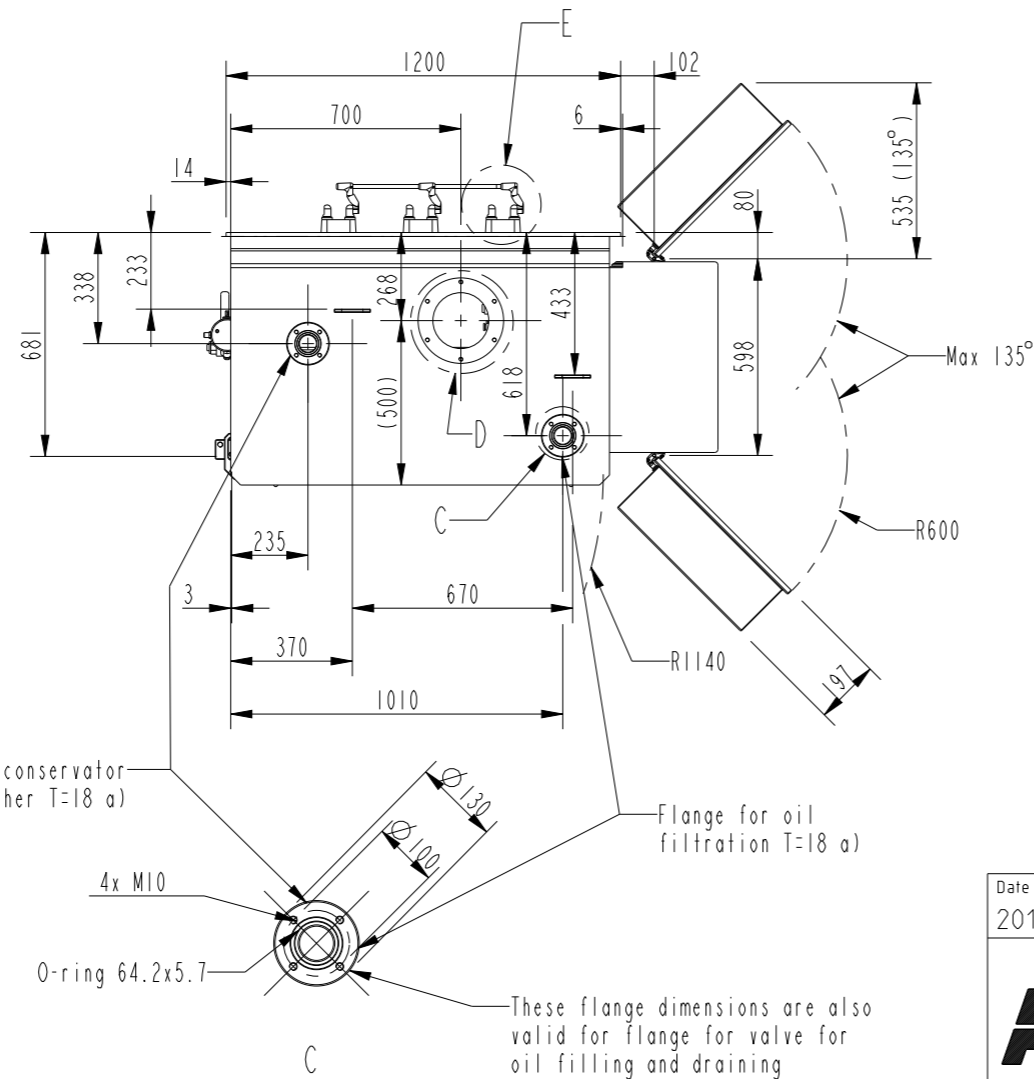
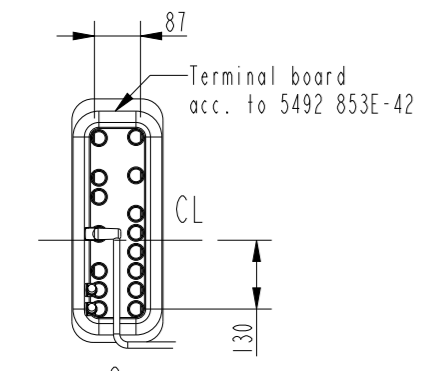
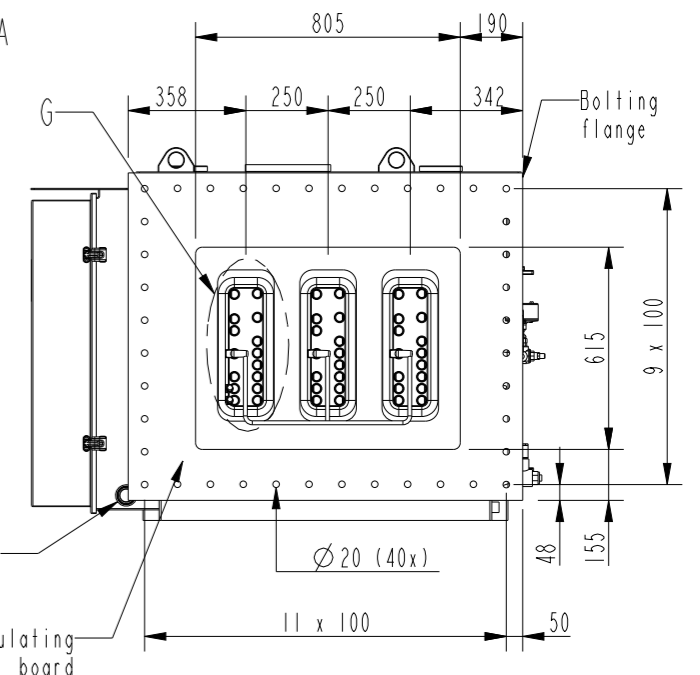
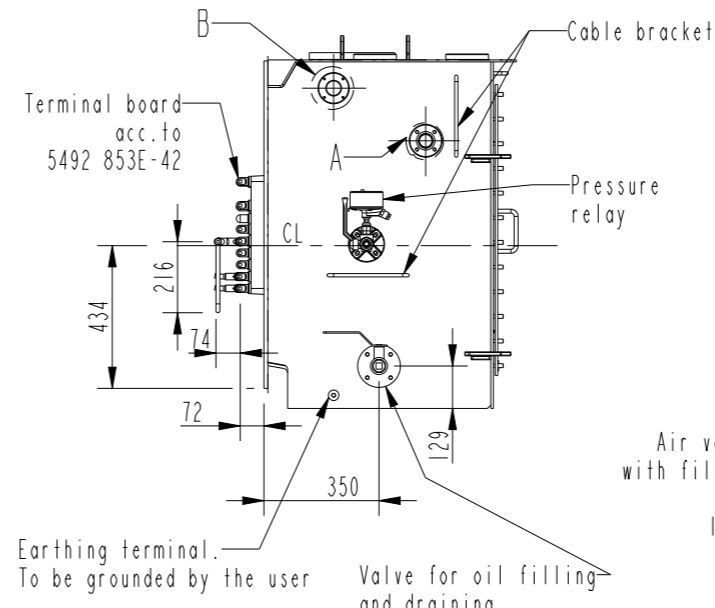
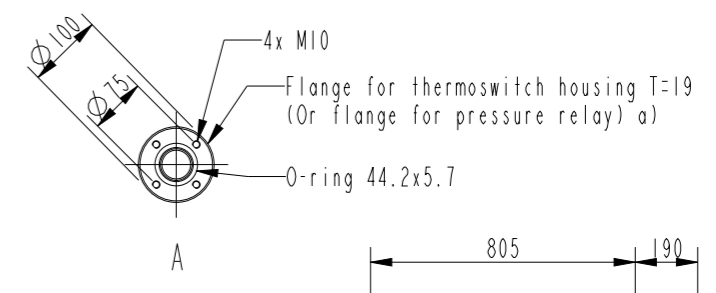
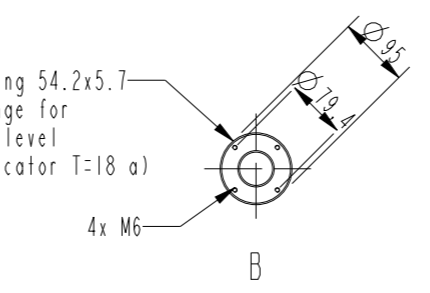
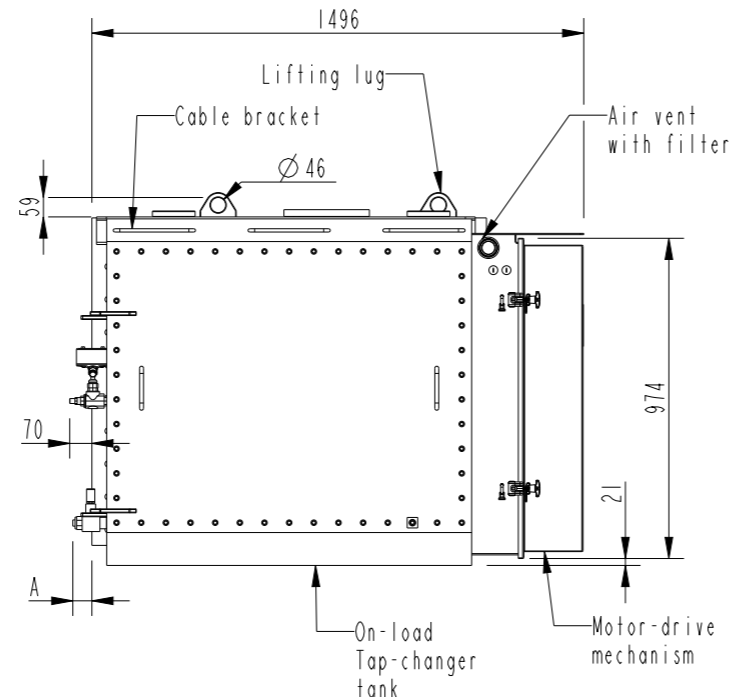
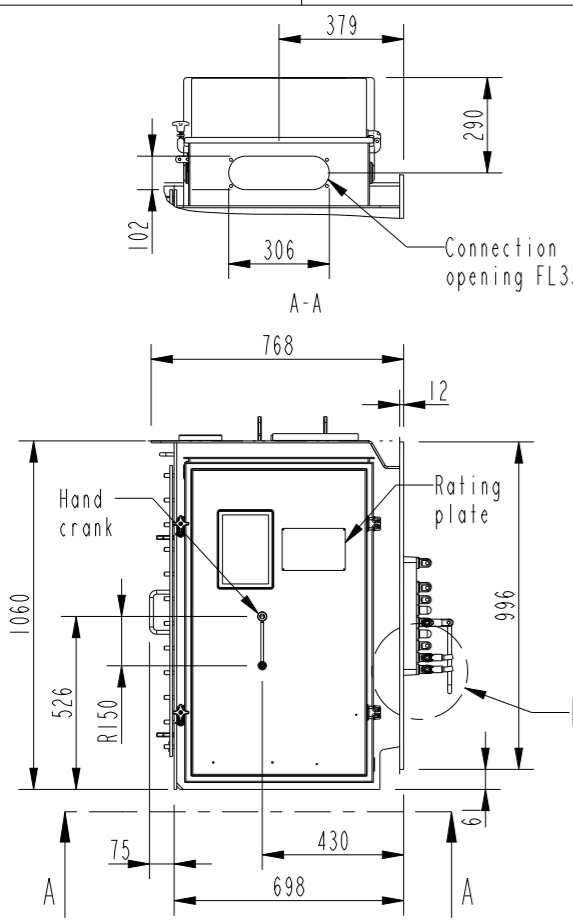


This document is issued by means of a computerized system. The digitally stored original is electronically approved. The approved document has a date entered in the "Approved"-field. A manual signature is not required.

The information contained in this document has to be kept strictly confidential. Any unauthorized use, reproduction, distribution or disclosure to third parties are strictly forbidden. ABB reserves all rights regarding Intellectual Property Rights. © Copyright 2013 ABB. All rights reserved.



Valve	A
R 1 1/2"	74
1 1/2" NPT	64
1 1/2" NPT with test device	109

ADDITIONAL DRAWINGS:
 Connection Diagrams: See Technical Guide UZ
 Accessories: 54920089-9 or -13
 Pressure Relay: 54920083-2

a) ALL FLANGES WITHOUT ACCESSORIES DELIVERED WITH COVER PLATES
 Mass: 700 kg without oil
 Required oil: 500kg (580 litres)
 Total mass: 1200 kg

Date / Approved 2018-02-09	Responsible department PGCO/TK	Document Kind DIMENSION DRAWING			
		Title TAP-CHANGER UZE.N, UZE.T 200, 250KV Standard tank, Bolting Flange			
Document Id. 54920089-2	Revision B	Language 82	Sheet 1/1		