



# DEH41590 INSTALLATION INSTRUCTIONS

## Molded Case Circuit Breaker

### INTRODUCTION

These instructions apply to UL 489 rated TEY D/H/L, TEY F (110 & 125 A only) series of thermal magnetic molded case circuit breakers. These are available in 1, 2 & 3 pole configurations. The 1 pole is available from 15 to 70A ratings while 2 pole & 3 pole are available from 15A to 125A ratings. Fig 1 shows the 1, 2 & 3 pole

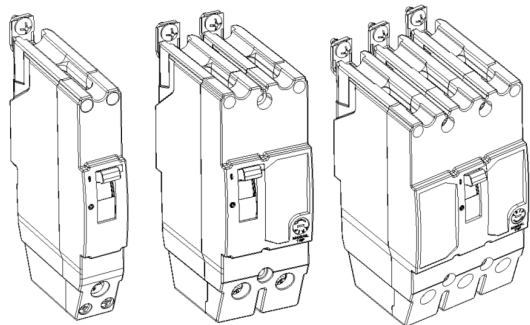


Fig 1.

### DELIVERY CHECKS

Unpack the breaker from the box & inspect for any shipping damage. Insure that the breaker has proper amperage, voltage & interrupting ratings for the application. Also check the breaker operation as per Fig 2. If breaker ordered is with accessory, check appropriate labels are attached on the side on breaker with rating for accessory

### INSTALLATION

These circuit breakers are designed for dry, dust free & non corrosive environment. If these conditions are not available then it should be installed in enclosure or switchboards which provide this protection.

The Breaker is provided with mounting clip at the bottom side & screw connection at line end. Once the breaker is hooked into the mounting clip then the line screws to be tightened to torque of 25-32 LB-in.

### WIRE CONNECTIONS

#### 1 POLE

WIRE CONNECTOR	USED ON	WIRE RANGE		LOAD END LUG TORQUE TO WIRE
		Cu	Al	
A (SADDLE CLAMP)	15A – 20A	#12 - #14	#10 - #12	#10, 12, 14, - 35 LB-in
B (LUG)	30A – 60A	#10 - #6	#8 - # 4	#10 - 35 LB-in #8 - 40 LB-in #6, # 4 - 45 LB-in
	70A	#4 - # 1	#2 - I/O	#4 -I/O - 45 LB-in

#### 2 POLE & 3 POLE

WIRE CONNECTOR	USED ON	WIRE RANGE		LOAD END LUG TORQUE TO WIRE
		Cu	Al	
A (SADDLE CLAMP)	15A – 20A	#12 - #14	#10 - #12	#10, 12, 14, - 35 LB-in
B (LUG)	30A – 60A	#10 - #6	#8 - # 4	#10 - 35 LB-in #8 - 40 LB-in #6, # 4 - 45 LB-in
	70A – 100A	#4 - # 1	#2 - I/O	#4 -I/O - 45 LB-in
C (LUG)	110A – 125A	#3 - 3/O	#1 - 3/O	100 LB-in

### OPERATION

The breaker contact status position is indicated by handle position & positions are marked on the cover as ON (I) & OFF (O). Breaker Operations are shown in Fig 2. To turn the breaker ON from OFF position, move the handle to ON position. To turn the breaker ON from TRIP position, move handle fully to RESET position & then switch ON.

To trip the breaker manually the breaker is provided with manual trip feature for 2 pole & 3 pole configurations. Rotate the Twist the button in direction as indicated on the twist button as shown in Fig 3.

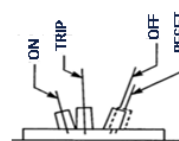


Fig 2. Breaker operations



Fig 3. Manual trip Feature

### MAINTENANCE

Refer to NEMA AB-4 for further maintenance and inspection information. It is recommended the following operations be performed at least annually.

1. Turn off the power to the equipment being serviced.
2. Clean the surfaces of the breaker & surrounding area of any dirt, soot or other debris.
3. Inspect the breaker for any damage
4. Operate the mechanism by turning the breaker ON & OFF. Also operate the trip function thru manual trip feature.