

—
4

Safety switches and AC disconnects

Section 4

Safety switches and AC disconnects

Table of contents

AC Disconnects	4-1
Spec Setter* Safety switches	
Ordering code construction	4-2
General duty	4-3
Heavy duty	4-4
Double throw	4-7
Accessories	4-8

AC disconnects

NEMA type 3R



Steel disconnects N3R outdoor enclosure

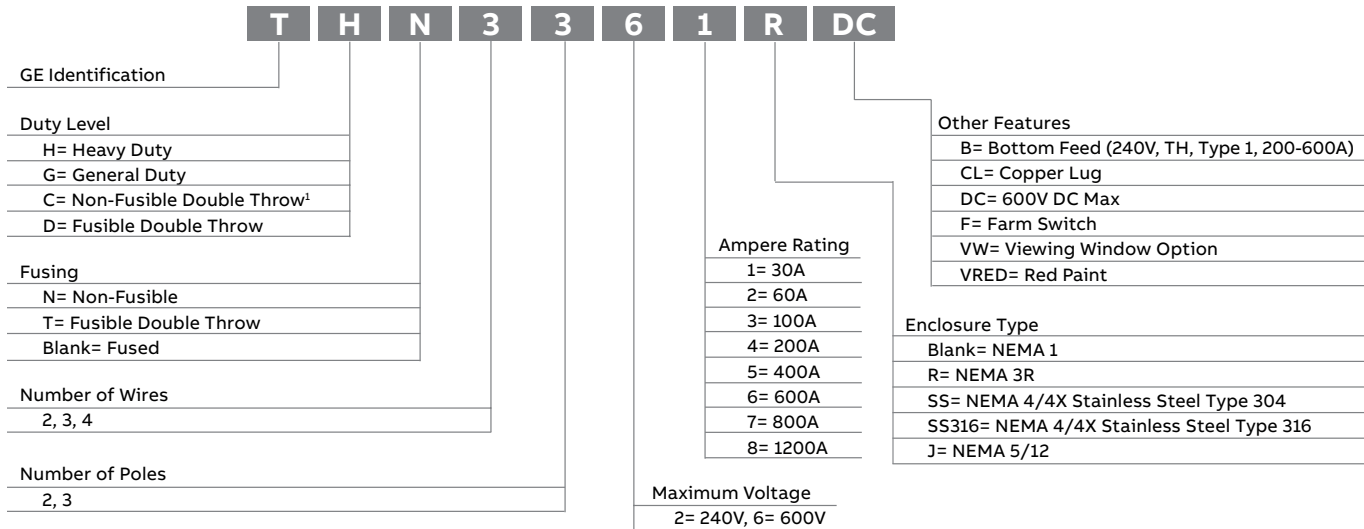
	Amperage Rating	Ordering code	HP Rating	Standard Fuse Class	15A GFCI Outlet	Height	Width	Depth	Standard Package	Ordering code Replacement puller
Fusible										
	30	TF30R	3	H, K1, K5, K9, RK1, RK5	-	7.5	5.19	2.5	6	TF302A
	60	TF60R	10	H, K1, K5, K9, RK1, RK5	-	9.25	5.19	2.5	6	TF602
Non-Fusible										
	60	TFN60R	10	-	Factory Installed	7.5	5.19	2.5	6	TFN652
	60	TFN60RGFR	10	-		7.13	5.5	5.19	6	TFN652
Non-Automatic										
	60	TNA60R1	10	-	Factory Installed	7.5	5.19	2.5	6	-
	60	TNA60RGFR	10	-		7.13	5.5	5.19	6	-

Plastic disconnects N3R outdoor enclosure

	Amperage Rating	Ordering code	HP Rating	Standard Fuse Class	Removable Closing cap	Height	Width	Depth	Standard Package	Ordering code Replacement puller
Fusible										
	30	TPF30R	3	H, K1, K5, K9, RK1, RK5	Yes	7.0	5.75	3.13	6	TF302A
	60	TPF60R	10	H	Yes	7.0	5.75	3.0	6	TF60
Non-Fusible										
	60	TPN60R	10	-	Yes	8.0	5.0	2.5	6	TFN652
	60	TPN60R1	10	-	No	7.5	5.19	5.19	6	TFN652

Spec-Setter™ 30-200 A, 800-1200 A safety switches

Ordering code construction



¹ 800A and 1200A non-double throw safety switches also use the C Duty Level nomenclature

Note: This information is provided for interpreting numbers. It should not be used to build product numbers.

All ABB Spec-Setter safety switches carry the following certifications:

- UL Listed and cUL Listed (UL98 Enclosed Switches/CSA-C22.2 No. 4-04)
- Federal Specification WS-865C
- NEMA Enclosed Safety Switch Standard KS1-2013
- Seismic Certified
- Service Entrance Rated (unless otherwise noted)

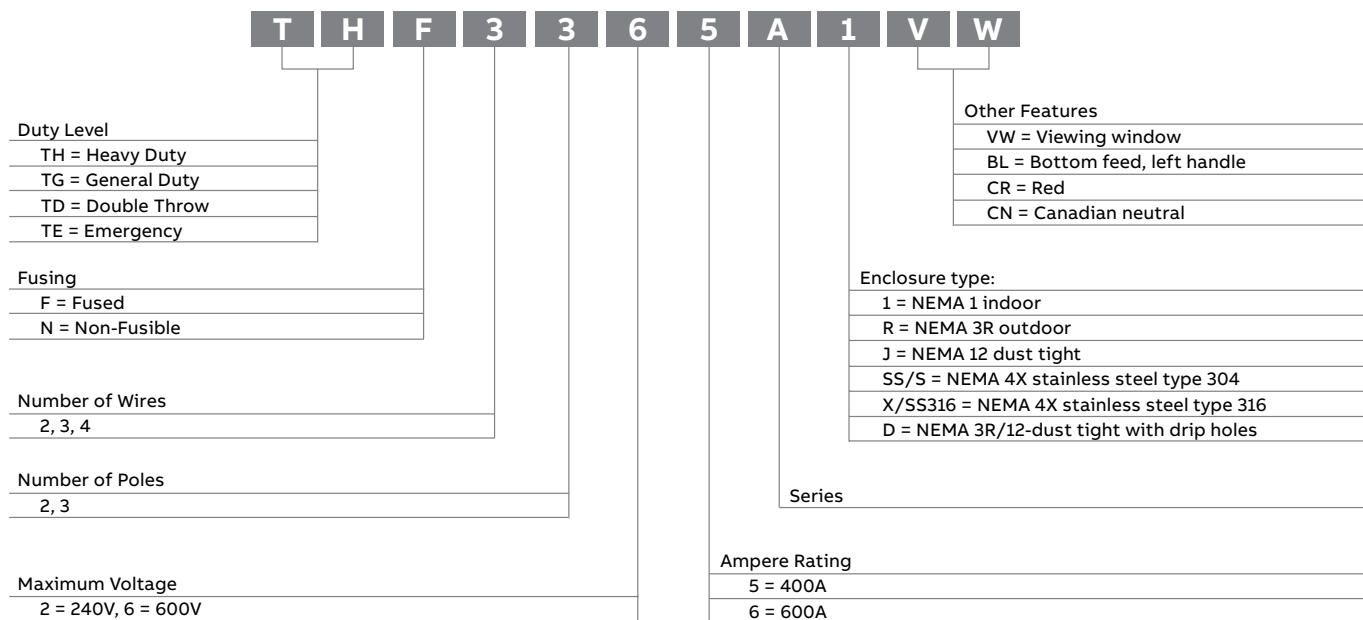
Horsepower rated

All Spec-Setter safety switches are horsepower rated with the following exceptions:

- 800A single throw type TC switches
- 1200A single and double throw type TC and TDT switches

Spec-Setter™ 400-600 A safety switches

Ordering code construction



Note: This information is provided for interpreting numbers. It should not be used to build product numbers.

Applications for enclosures in non-hazardous locations

Provides a degree of protection against the following environmental conditions	Type of enclosure					
	1 ²	3R ²	4	4X	5	12
Incidental contact with enclosed equipment	X	X	X	X	X	X
Falling dirt	X	---	X	X	X	X
Falling liquids and light splashing	---	---	X	X	X	X
Windblown/circulating dust, lint, fibers and flyings ³	---	---	X	X	---	X
Setting airborne dust, lint fibers and flyings ³	---	---	X	X	X	X
Rain, snow and sleet ⁴	---	X	X	X	---	---
Hosedown and splashing water	---	---	X	X	---	---
Oil and coolant	---	---	---	---	---	X
Corrosive agents	---	---	---	X	---	---

² These enclosures may be ventilated.

³ These fibers and flyings are non-hazardous materials and are not considered Class III type ignitable fibers or combustible flyings. For Class III type ignitable fibers or combustible flyings, see the National Electrical Code, Article 500.

⁴ External operating mechanisms are not required to be operable when the enclosure is ice covered.

Spec-Setter™ safety switches

General duty



Ordering code for general duty switches

			240V				
			Amps	2-pole/3-wire	3-pole/3-wire	3-pole/4-wire	
Fused	NEMA 1	30	TG3221	---	TG4321		
		60	TG3222	---	TG4322		
		100	TG3223	---	TG4323		
		200	TG3224	---	TG4324		
		400	TGF3225A1	---	TGF4325A1		
		600	TGF3226A1	---	TGF4326A1		
	NEMA 3R	30	TG3221R	---	TG4321R		
		60	TG3222R	---	TG4322R		
		100	TG3223R	---	TG4323R		
		200	TG3224R	---	TG4324R		
		400	TGF3225AR	---	TGF4325AR		
		600	TGF3226AR	---	---		
		Non-fusible	NEMA 1	30	---	TGN3321	---
				60	---	TGN3322	---
100	---			TGN3323	---		
200	---			TGN3324	---		
400	---			TGN3325A1	---		
NEMA 3R	30		---	TGN3321R	---		
	60		---	TGN3322R	---		
	100		---	TGN3323R	---		
	200		---	TGN3324R	---		



Ordering code for red switches

			240V		
			Amps	2-pole/3-wire	3-pole/4-wire
Fused	NEMA 1	30	TG3221VRED	TG4321VRED	
		60	---	TG4322VRED	

Spec-Setter™ safety switches

Heavy duty



Ordering code for fused heavy duty switches

	Amps	240V				600V		
		2-pole/2-wire	2-pole/3-wire	3-pole/3-wire	3-pole/4-wire	2-pole/2-wire	3-pole/3-wire	3-pole/4-wire
NEMA 1	30	---	TH3221	---	TH4321	---	TH3361	TH4361
	60	---	TH3222	---	TH4322	---	TH3362	TH4362
	100	---	TH3223	---	TH4323	---	TH3363	TH4363
	200	---	TH3224	---	TH4324	---	TH3364	TH4364
	400	---	THF3225A1	THF3325A1	THF4325A1	---	THF3365A1	---
	600	---	---	THF3326A1	THF4326A1	---	THF3366A1	---
	800	---	---	---	---	---	TC72367	---
NEMA 5/12	30	---	---	---	---	---	TH3361J	---
	60	---	---	---	---	---	TH3362J	---
	100	---	---	---	---	---	TH3363J	---
	200	---	---	---	---	---	TH3364J	---
	400	---	---	---	---	---	THF3365AJ	---
NEMA 3R	30	---	TH3221R	---	TH4321R	---	TH3361R	TH4361R
	60	---	TH3222R	---	TH4322R	---	TH3362R	TH4362R
	100	---	TH3223R	---	TH4323R	---	TH3363R	TH4363R
	200	---	TH3224R	---	TH4324R	---	TH3364R	TH4364R
	400	---	THF3225AR	THF3325AR	---	---	THF3365AR	---
	600	---	THF3226AR	THF3326AR	---	---	THF3366AR	---
	800	---	---	---	---	TC72267R	TC72367R	---
NEMA 4/4X, 304	30	TH2221SS	TH3221SS	TH3321SS	TH4321SS	---	TH3361SS	---
	60	TH2222SS	TH3222SS	TH3322SS	TH4322SS	---	TH3362SS	---
	100	---	TH3223SS	---	TH4323SS	---	TH3363SS	---
	200	---	TH3224SS	---	TH4324SS	---	TH3364SS	---
	400	---	---	---	---	---	THF3365AS	---
	600	---	---	---	---	---	THF3366AS	---
NEMA 4/4X, 316	30	---	---	---	---	---	TH3361SS316	---
	60	---	---	---	---	---	TH3362SS316	---
	100	---	---	---	---	---	TH3363SS316	---
	200	---	---	---	---	---	TH3364SS316	---

Spec-Setter™ safety switches

Heavy duty

Ordering code for non-fusible heavy duty switches

		240V		600V	
	Amps	3-pole/3-wire		3-pole/3-wire	
NEMA 1	30	THN3321		THN3361	
	60	---		THN3362	
	100	---		THN3363	
	200	---		THN3364	
	400	---		THN3365A1	
	600	---		THN3366A1	
	800	---		TC36367	
NEMA 5/12	30	---		THN3361J	
	60	---		THN3362J	
	100	---		THN3363J	
	200	---		THN3364J	
	400	---		THN3365AJ	
NEMA 3R	30	---		THN3361R	
	60	---		THN3362R	
	100	---		THN3363R	
	200	---		THN3364R	
	400	---		THN3365AR	
	600	---		THN3366AR	
NEMA 4/4X, 304	30	---		THN3361SS	
	60	---		THN3362SS	
	100	---		THN3363SS	
	200	---		THN3364SS	
	400	---		THN3365AS	
	600	---		THN3366AS	
NEMA 4/4X, 316	30	---		THN3361SS316	
	60	---		THN3362SS316	
	100	---		THN3363SS316	
	200	---		THN3364SS316	

Spec-Setter™ safety switches

Double throw



Ordering code for non-fusible double throw safety switches

		240V	600V
Amps		3-pole/3-wire	3-pole/3-wire
NEMA 1	30	TC35321	---
	60	TC35322	TC35362
	100	TC35323	TC35363
	200	TC35324	TC35364
	400	TDN3325A1	TDN3365A1
	600	TC35326	---
NEMA 3R	60	TC35322R	TC35362R
	100	TC35323R	TC35363R
	200	TC35324R	TC35364R
	400	TDN3325AR	TDN3365AR



Ordering code for emergency power transfer switches (non-fusible)

		120/240V	240V
Amps		2-pole/3-wire	3-pole/4-wire
NEMA 3R	100	TC10323R	---
	200	TC10324R	TC10424R

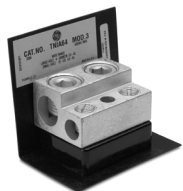


Ordering code for interlocked receptacle switches

		Fusible	Non-fusible
Amps		3-pole/3-wire	3-pole/3-wire
NEMA 1	60	TH3362JCH	THN3362JCH

Accessories

Ground neutral and line shield kits



TNIA64



THSHLD1

NEMA type 1 and 3R enclosures
30–600 amperes: TG and TH
800–1200 amperes: TC (single throw fusible only)

Amperage rating	Ground Kits	System Voltage (Vac)	Fusible/Non-Fusible	Ordering code Neutral kit
30	TGL1	240	Either	TNI21
		600	Either	TNI62 ¹
Non-Fusible				
60		TNG3	600	Fusible
	600		Non-Fusible	TNI63 ¹
100			600	Fusible
	600			Either
200	TGL6	240 or 600	Either	TNI65
400			Either	TNI65A
	600		Either	TNI66
800			-	Fusible
1200	-		Fusible	TNI68A

NEMA type 4/4X, 12 enclosures
Heavy duty switches
30–600 amperes: TH

Amperage Rating	Ground Kits	System Voltage (Vac)	Fusible/Non-Fusible	Ordering code Neutral kit
30	TGL1	240	Fusible	TNIJ61
30		600	Either	TNIJ61
60		600	Fusible	TNIJ62
60		600	Non-fusible	TNIJA62
100	TNG3	240 or 600	Either	TNIJ63
200			Either	TNIJ64
400-600	TGL6		Either	TNIJ66

¹ Not suitable for type TG switches.

Line shield replacement and upgrade kits

Line shield kits for 2020 NEC 230.62 service entrance barriers. Clear plastic unless otherwise noted.

Amperage	HD 600 V replacement kit		HD 240 V upgrade kit		GD 240 V upgrade kit	
	Product number	Series A ⁴	Product number	Series A ⁴	Product number	Series A ⁴
30	THSHLD1	-	THSHLD0 ^{2,3}	-	THSHLD0 ³	-
60	THSHLD3	-	THSHLD1	-	THSHLD1	-
100	THSHLD3 ¹	-	THSHLD3 ¹	-	THSHLD3	-
200	THSHLD4	-	THSHLD4	-	THSHLD4	-
400	THSHLD6	THSHLD5A	THSHLD6	THSHLD5A	-	THSHLD5A
600	THSHLD6	THSHLD6A	THSHLD6	THSHLD6A	-	THSHLD6A
800	THSHLD8	-	THSHLD8	-	-	-
1200	THSHLD8	-	THSHLD8	-	-	-

¹ Use THSHLD4 for 100 A NEMA 5/12 or NEMA 4X

² Replacement kit only

³ Fiberboard shield

⁴ Series A products (i.e., TH3365A1)

01 THSHLD1



01

Accessories

Fusing kits

- General duty: TG
- Heavy duty: TH



Class R fusing kit, field installable, general duty, type TG, UL listed

When specifications permit only Class R fuses to be used, these kits may be installed in the safety switch to deter fuses other than Class R from being installed.

- 30–60 A = Fuse clips
- 100–200 A = Rejection pins
- One kit required per two-pole or three-pole switch



Series prefix	Ampere rating	NEMA enclosure type	Ordering code
TG	30	1, 3R	TGRK12
	60	1, 3R	TGRK22
	100	1, 3R	TGRK42
	200	1, 3R	TGRK42



Class J fuse field conversion kit, heavy duty, type TH, UL listed

TH switches, 30–400 amperes, 600 volt and 100–400 amperes, 240 volt, may be adapted to accept Class J fuses without a kit by moving the load-block toward the switch base and remounting.

- One kit required per two-pole or three-pole switch

TGRK22 Class R rejection kit

Series prefix	Ampere rating	System voltage (V AC)	Ordering code
TH	600	240 or 600	THJ6
TH	30–400	600	Move load-block
TH	100–400	240	Move load-block

Class R fusing kit, field-installable, heavy duty, type TH, UL listed

When specifications permit only Class R fuses to be used, these kits may be installed in the safety switch to deter fuses other than Class R from being installed.

- 30–60 A = Fuse clips
- 100–600 A = Rejection pins
- One kit required per two-pole or three-pole switch



TRK46A Class R rejection kit

Series prefix	Ampere rating	System voltage (V AC)	NEMA enclosure type	Ordering code
TH	30	240	1, 3R, 4/4X, 12	TRK12B
	30	600	1, 3R	TRK16B
	30	600	4/4X, 12	TRK16SA
	60	240	1, 3R, 4/4X, 12	TRK22A
	60	600	1, 3R, 4/4X, 12	TRK26A
	100	240	1, 3R	TRK46A
	100	600	4/4X, 12	TPBRK36A
	200	240	1, 3R, 4/4X, 12	TRK46A
	400	240	1, 3R, 4/4X, 12	TRK56A ¹
	600	240	1, 3R, 4/4X, 12	TRK66A ¹
	600	600	1, 3R, 4/4X, 12	TRK66A ¹

¹ Also suitable for general duty

Safety switches accessories

Auxiliary contact kits, replaceable handles and hubs



THAUX64D

Auxiliary contacts

Switch type	Ampere rating	# of poles	Contacts	Contact ratings	Ordering code
Heavy duty	30	2 3	DPDT	10 A, 125/250 V AC	THAUX21D
				0.30 A, 125V DC	
				0.15 A, 250 V DC	
	30	2 3	SPDT	15 Z, 600 V AC	THAUX61S
				0.50 A, 125 VDC	
				0.25 A, 250V DC	
	60 100 200	2 3	DPDT	15 A, 600 V AC	THAUX64D
				0.50 A, 125 V DC	
				0.25 A, 250V DC	
	400 600	2 3	DPDT	15 A, 600 V AC	THAUX66DA
				0.50 A, 125 V DC	
				0.25 A, 250 V DC	
30 60 100	6	DPDT	15 A, 600 V AC	THAUX66D	
			0.50 A, 125 V DC		
			0.25 A, 250 V DC		
200	6	DPDT	15 A, 600 V AC	THAUX66D2	
			0.50 A, 125 V DC		
			0.25 A, 250 V DC		



THRPLHDL3

Replacement Handles for HD Switches

Amps. Min	Amps Max.	Max Volts	Steel Type	Description	Ordering Code
30	30	240	Steel	Handle and Pouch	THRPLHDL1
30	30	600	Steel		THRPLHFL2
60	200	600	Steel		THRPLHDL3
30	200	600	Stainless		THRPLHDL4
400	600	600	Steel		THRPLHDL6
600	600	600	Stainless	Note: full block for Handle and Pouch	THRPLHDL7A

The handles above are what's stocked in Mount Juliet, for other handles, refer to [BuyLog](#)

Universal raintight aluminum hubs

For outdoor enclosures that have removable closing caps.



TC100

Nominal conduit diameter (in.)	Ordering code
¾	TC75
1	TC100
1¼	TC125
1½	TC150
2	TC200
2½	TC250

Closing cap for universal raintight aluminum hub

Ordering code

TCCP